

PROJECT  DATE

COMMENTS



**IN STOCK**



**ENERGY CHART**

SIZE	TOTAL DIAMETER inches	WATTAGE	CCT	DELIVERED LUMENS	EFFICACY lm/w
5	5.5	10	2700K	525	52.5
			3000K	551	55.1
			3500K	596	59.6
			4000K	650	65
			5000K	578	57.8
7	7.5	15	2700K	980	65.3
			3000K	1044	69.6
			3500K	1090	72.7
			4000K	1127	75.1
			5000K	1072	71.5
9	8.9	18	2700K	1042	57.9
			3000K	1129	62.7
			3500K	1214	67.4
			4000K	1240	68.9
			5000K	1179	65.5
11	10.89	22	2700K	2191	99.6
			3000K	2203	100.1
			3500K	2217	100.8
			4000K	2256	102.5
			5000K	2231	101.4
13	12.8.9	24	2700K	2386	99.4
			3000K	2405	100.2
			3500K	2427	101.1
			4000K	2431	101.3
			5000K	2419	100.8

**ORDERING LOGIC** EX: SPR-WL-5-FS-WH

FAMILY	SIZE	CCT	FINISH*
<b>SPR-WL</b>		<b>FS</b>	<b>WH</b>
	<b>5</b> 5.5"	<b>FS</b> Field Selectable <small>2700K/3000K/3500K/4000K/5000K</small>	<b>WH</b> White
	<b>7</b> 7.5"		
	<b>9</b> 8.9"		
	<b>11</b> 10.89"		
	<b>13</b> 12.8"		

\*Additional trim finishes available as a separate accessory attachment, see page 2

**SPR-WL SLIM PANEL ROUND LED WET LOCATION**

The SPR-WL Series offers a low-profile, high output surface mount LED luminaire that is suitable for wet locations.

- Residential
- Commercial
- Hospitality

**PHYSICAL**

Mounting	2.75"/3"/4" J-Boxes All Sizes, 5"/6" Cans Sizes 7 & 9 Sizes Only
Finish	Black, Bronze, Brushed Nickel, White

**PERFORMANCE**

Warranty	5 years
Certifications	Wet Location, Energy Star, Title 24, Meets Section 410.16 of the NEC (NFPA 70-2017)
Rated Life	>50,000 hours
Operating Temperature	-10°C to 50°C (14°F to 122°F)
CCT	Field Selectable: 2700K/3000K/3500K/4000K/5000K
SDCM	≤6
CRI	90
R9	>50
Beam Angle	120°

**ELECTRICAL**

Wattage	10W, 15W, 18W, 22W, 24W
Voltage	120V
Power Factor	≥0.7
Dimmable	100% - 5% Triac Dimming
THD	<30%

**TRIM FINISHES**



SEE ACCESSORIES ORDERING LOGIC ON PAGE 2



ACCESSORIES ORDERING LOGIC (ORDER SEPARATELY)

EX: SPR-WL-5-30-BK

TRIM	SIZE	FINISH	EMERGENCY
<b>SPR-WL-TRIM</b>	<b>5</b> 5"	<b>BK</b> Black	<b>JBEM</b> Junction Box Emergency Backup MAXIMUM FIXTURE WATTAGE 18W, ONLY COMPATIBLE WITH 5", 7", AND 9"
	<b>7</b> 7"	<b>BZ</b> Bronze	
	<b>9</b> 9"	<b>BN</b> Brushed Nickel	
	<b>11</b> 11"		
	<b>13</b> 13"		

RECOMMENDED DIMMERS

LEVITON MODELS

- 6672
- 6674
- DSL06
- RNL06
- IPL06

LUTRON MODELS

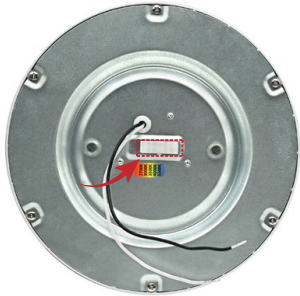
- TG-600PR-WH
- S-600PR-WH
- CTCL-153PDH-WH
- TGCL-153PH-LA
- SLV-600P-AL
- DV-600PR-WH

- SCL-153PH-WH
- GT-600P
- DVCL-153P

- MSCL-OP153M
- MACL-153M/MA-R
- PD-6WCL

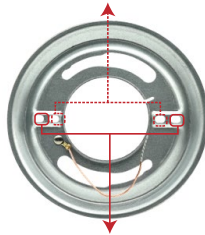
ADDITIONAL IMAGERY

SIZES 5, 7, & 9 CCT DIP SWITCH



SIZES 5, 7, & 9 MOUNTING BRACKET

2.75" Junction Box Installation Hole



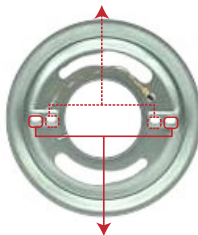
3.5" Junction Box Installation Hole

SIZES 11 & 13 CCT DIP SWITCH



SIZES 11 & 13 MOUNTING BRACKET

2.75" Junction Box Installation Hole

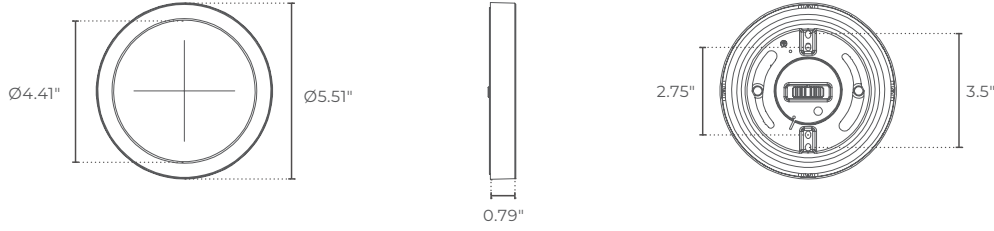


3.5" Junction Box Installation Hole

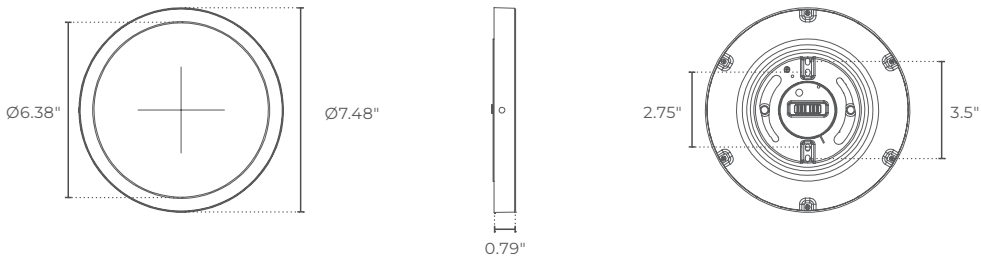


**DIMENSIONS**

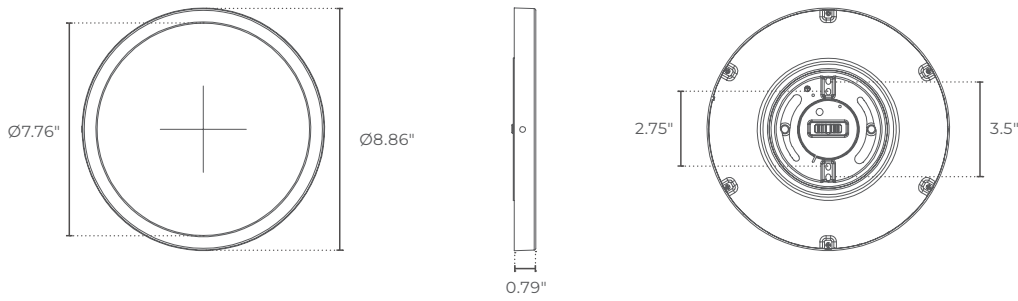
**SIZES 5**



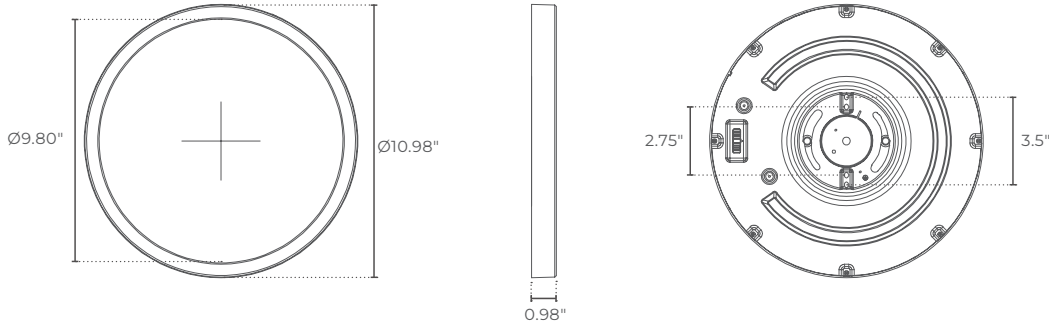
**SIZES 7**



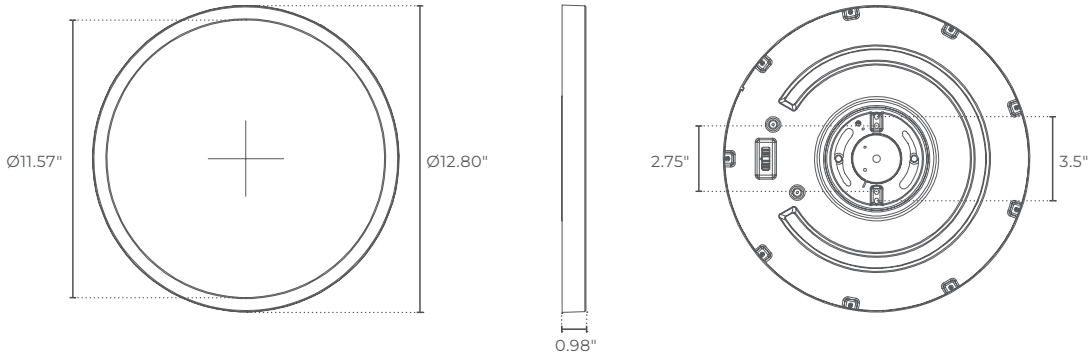
**SIZES 9**



**SIZES 11**



**SIZES 13**



TRIMS

SPR-WL-TRIM-5-BK



SPR-WL-TRIM-5-BZ



SPR-WL-TRIM-5-BN



SPR-WL-TRIM-7-BK



SPR-WL-TRIM-7-BZ



SPR-WL-TRIM-7-BN



SPR-WL-TRIM-9-BK



SPR-WL-TRIM-9-BZ

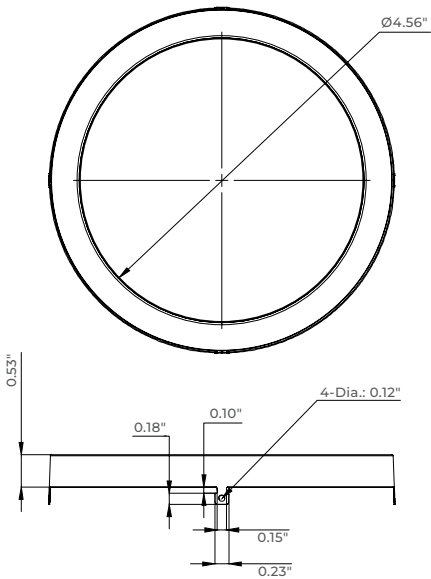


SPR-WL-TRIM-9-BN

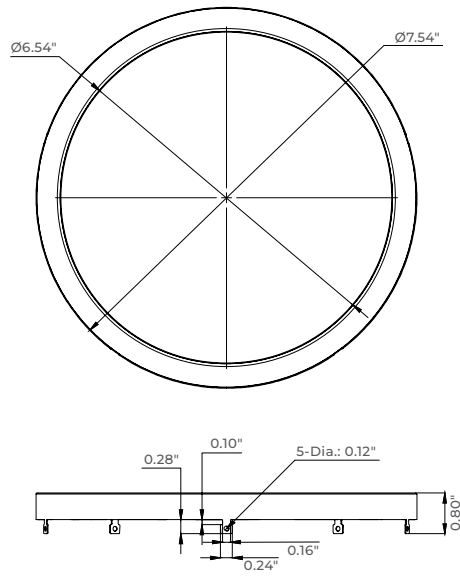


TRIM DIMENSIONS

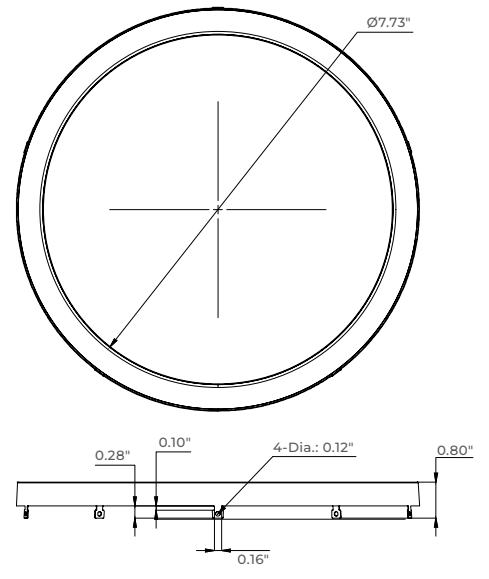
SPR-WL-TRIM-5



SPR-WL-TRIM-7

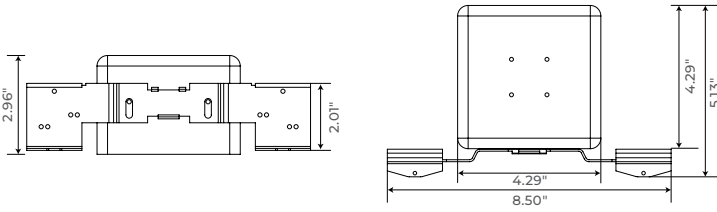


SPR-WL-TRIM-9



EMERGENCY SPECIFICATION

JBEM Junction Box Emergency Backup



TECHNICAL SPECIFICATIONS

Wattage	15W
Maximum Fixture Wattage	18W
Input Voltage	AC 120V
Output Voltage	≤ AC 110V
Emergency Time	1.5 hours
Initial Charge Time	24 hours
IP Rating	IP20
Battery Type	Li-ion
Dimensions	8.50" x 5.13" x 2.96" (216 x 130.4 x 75.2mm)
Operating Temp.	41°F – 122°F (5°C–50°C)
Warranty	5 years

Emergency LED Driver



TECHNICAL SPECIFICATIONS

Input Voltage	120V AC, 50/60Hz
Input Current(Max.)	100mA
Input Power(Max.)	≤ 5W
Emergency Time	90 minutes
Charging Time	24 hours
Output Voltage	≤ 110V AC
Warranty	5 years
Adaptive Power	≤ 15W
Battery Type	Li-ion
Ambient Temp.	41°F – 122°F (5°C–50°C)

