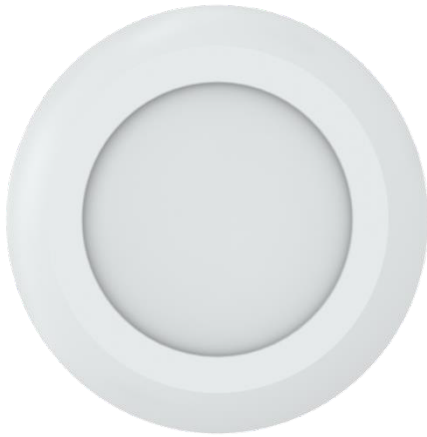


PROJECT DATE

COMMENTS



ADL ARCHITECTURAL DISK LED

The ADL series is intended for new construction and retrofit applications, mounts directly to 4" & 6" junction boxes and 4" or 5"/6" recessed housings, and is suitable for dry or damp locations.

PHYSICAL

Material	Aluminum
Mounting	Surface (Ceiling), 4" & 6" J-Boxes
Finish	Black, Satin Nickel, White
Lens	Polycarbonate Opal Diffuser
Source	LED

PERFORMANCE

Warranty	3 years
Certifications	Damp Location, CETL, UL
IP Rating	IP20
Rated Life	L70 30,000 hours
Operating Temperature	-20°C to 45°C (-4°F to 104°F)
CCT	3000K, 4000K, 5000K, 6500K
CRI	80+ or 90+

ELECTRICAL

Wattage	15W
Voltage	120V
Power Factor	>0.90
Dimmable	100% - 10% Triac Dimming

ENERGY CHART

SIZE	HEIGHT inches	APERTURE DIAMETER inches	TOTAL DIAMETER inches	DELIVERED LUMENS	WATTAGE	EFFICACY lm/w
4	0.7	3.4	6.0	550	10	55
6	0.9	4.8	7.8	900	15	60

ORDERING LOGIC

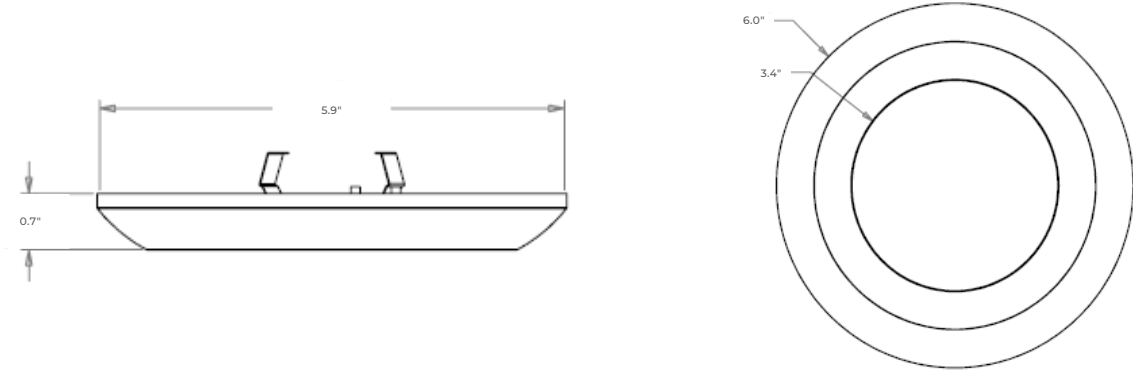
EX: ADL-4-30-80-ND-BK

FAMILY	SIZE	CCT	CRI	DIMMING	FINISH
ADL					
	4 4"	30 3000K	80 80+	ND Non-Dimming	BK Black
	6 6"	40 4000K	90 90+	TR Triac	SN Satin Nickel
		50 5000K			WH White
		65 6500K			



DIMENSIONS

4" Product



6" Product

