

PROJECT _____ DATE _____

COMMENTS _____

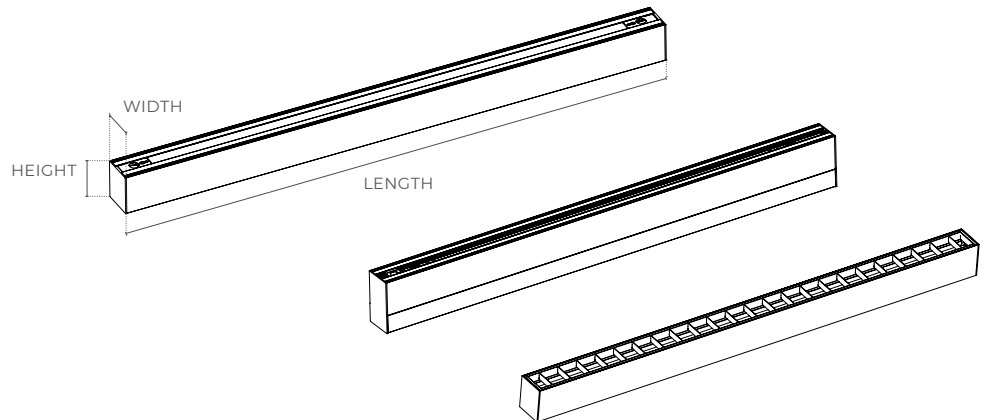


ENERGY CHART

| SIZE | LENGTH feet | DELIVERED LUMENS | WATTAGE | EFFICACY lm/w |
|------|----------------|---------------------|---------|------------------|
| 2 | 2 | 2300 | 20 | 115 |
| 3 | 3 | 3450 | 30 | 115 |
| 4 | 4 | 4600 | 40 | 115 |
| 5 | 5 | 5750 | 50 | 115 |
| 6 | 6 | 6900 | 60 | 115 |
| 8 | 8 | 9200 | 80 | 115 |

DIMENSIONS

| TYPE | LENGTH inches | WIDTH inches | HEIGHT inches |
|------|------------------|-----------------|------------------|
| 2 | 23.9 | 2.8 | 3.4 |
| 3 | 35.8 | 2.8 | 3.4 |
| 4 | 47.4 | 2.8 | 3.4 |
| 5 | 59.3 | 2.8 | 3.4 |
| 6 | 70.8 | 2.8 | 3.4 |
| 8 | 94.1 | 2.8 | 3.4 |



ALL3 ARCHITECTURAL LINEAR LED 3-INCH

The ALL3 series has architectural appeal in a simplified form allowing for versatility with suspended, surface, recessed or wall mounting. ALL3 can be utilized for new construction or retrofit applications and is suitable for damp locations.

- Commercial
- Hospitality
- Hallways & Stairwells
- Industrial

PHYSICAL

| | |
|----------|--|
| Material | Extruded Aluminum |
| Mounting | Recessed (Ceiling or Wall), Surface, Suspended, Wall |
| Lens | Polycarbonate |
| Finish | Matte White, Gloss White, Matte Black, Gloss Black, Matte Gray, Gloss Gray, Wood |
| CCT | Single CCT, Field Selectable: 3000K, 3500K, 4000K, 5000K |
| CRI | 80+ |

PERFORMANCE

| | |
|-----------------------|--------------------------------|
| Warranty | 5 years |
| Certifications | Damp Location, UL, CUL, DLC |
| IP Rating | IP20 |
| Rated Life | L70 50,000+ hours |
| Operating Temperature | -30°C to 40°C (-22°F to 104°F) |

ELECTRICAL

| | |
|--------------|------------------------------|
| Wattage | 20W, 30W, 40W, 50W, 60W, 80W |
| Voltage | 120-277V |
| Power Factor | >0.9 |
| Dimmable | 0-10V Dimming |

ORDERING LOGIC

EX: ALL3-2-SD-NA-30-DL-MWH

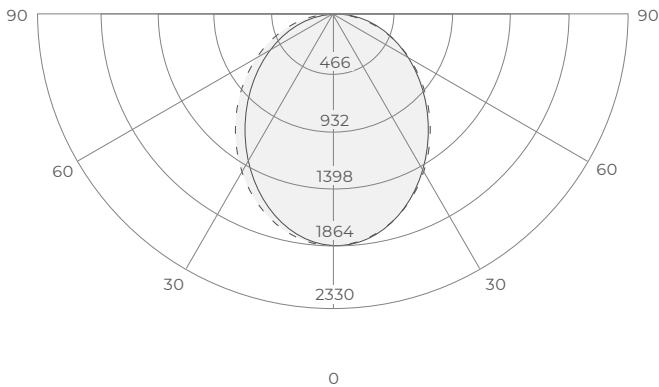
| FAMILY | SIZE | TYPE | MOUNTING <small>For Surface or Suspended Mount Option Only</small> | CCT | LENS TYPE |
|-------------|------|--|---|---|---------------------------|
| ALL3 | | | | | |
| | 2 2' | SD Suspended Direct | NA Not Applicable | 30 3000K | DL Drop Lens |
| | 3 3' | SDI Suspended Direct/Indirect | DWC Drywall/Concrete | 35 3500K | FLL Flush Lens |
| | 4 4' | RF Recessed Flanged <small>CEILING OR WALL</small> | TB T-Bar | 40 4000K | LL Louver Lens |
| | 5 5' | RM Recessed Mud-In <small>CEILING OR WALL</small> | | 50 5000K | SL Step Lens |
| | 6 6' | SM Surface Mount | | FS1 Field Selectable <small>3000K/3500K/4000K/5000K</small> | RGL Regressed Lens |
| | 8 8' | WMD Wall Mount Direct | | FS2 Field Selectable <small>3000K/3500K/4000K</small> | |
| | | WMDI Wall Mount Direct/Indirect | | | |

FINISH

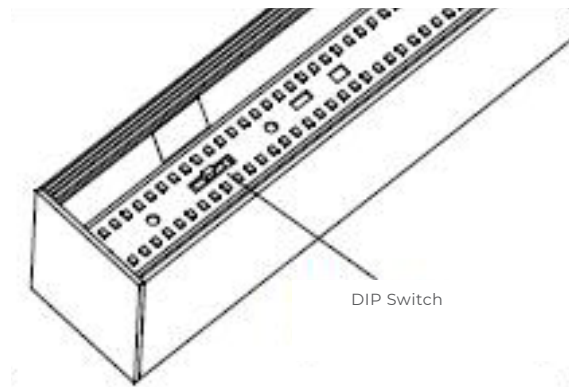
OPTIONS

| | |
|------------------------|--|
| MWH Matte White | IEM Integral Emergency Battery |
| GWH Gloss White | OS Occupancy Sensor |
| MBK Matte Black | CC Custom Configurations <small>FOR ADDITIONAL OPTIONS CONTACT SALES@SAGE.LIGHTING</small> |
| GBK Gloss Black | |
| MGR Matte Gray | |
| GGR Gloss Gray | |
| WD Wood | |

PHOTOMETRICS

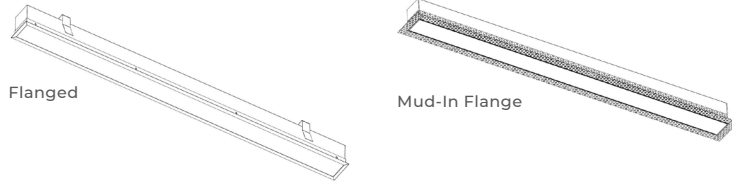


DIP SWITCH

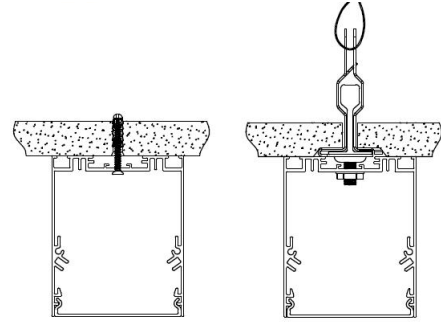


MOUNTING

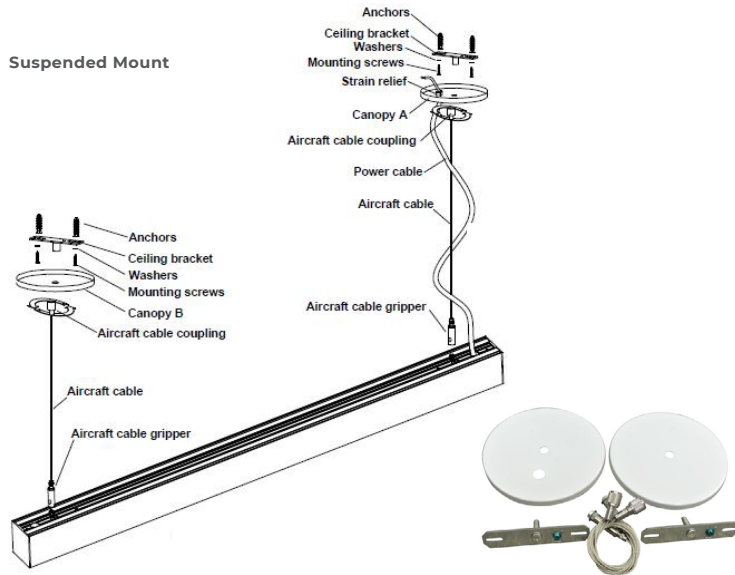
Recessed Mount



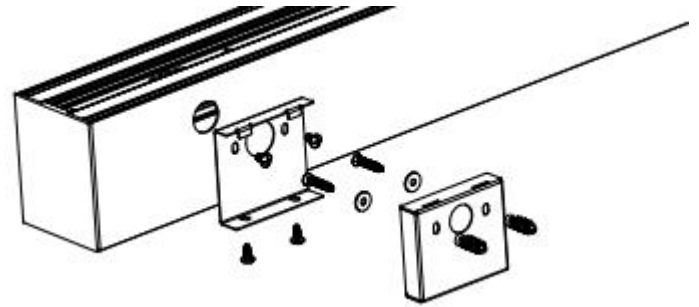
Surface Mount



Suspended Mount



Wall Mount



ACCESSORIES

Integral Emergency Battery



Occupancy Sensor



SPECIFICATIONS

| | |
|--------------------------|------------------------|
| Universal Input Voltage | 100-277VAC - 50-60Hz |
| AC Input Current | 100mA Maximum |
| Output Power | 10W |
| Emergency Time | ≥1.5H |
| AC Input Power Rating | 7.0W Maximum |
| Output Current & Voltage | 200-400mA 25-48Vdc |
| Battery | Li-Ion - 11.1V/2000mAH |