



DUNTON HOUSE

DECORATIVE LIGHTING

BARRETT PENDANT LED

PROJECT _____ DATE _____

COMMENTS _____



PHYSICAL

Material	Iron & Plastic
Mounting	Suspended Ceiling
Finish	Brushed Nickel, Bronze, White
Source	15W LED
CCT	2700K, 3000K, 3500K, 4000K, 5000K

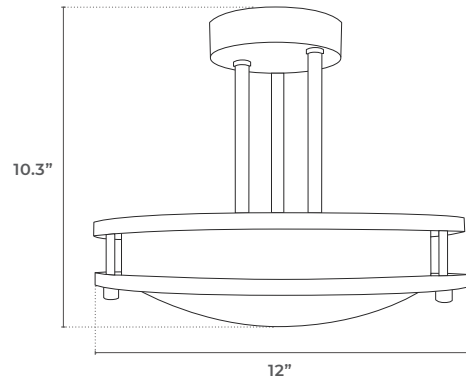
PERFORMANCE

Warranty	5 years
Certification	ETL, UL

ELECTRICAL

Wattage	15W
Voltage	110-120V
Power Supply	Hard Wire
Dimmable	Yes

DIMENSIONS



NOTES

Usage	Indoor Only
Iron Detail	Thickness: 0.04-0.0016"
Testing	High Voltage, Grounding, Swivel Torsion, & Pull Test

ORDERING LOGIC

EX: BARRETT-27-BN

FAMILY	CCT	FINISH
BARRETT	27 2700K	BN Brushed Nickel
	30 3000K	BZ Bronze
	35 3500K	WH White
	40 4000K	
	50 5000K	