



DUNTON HOUSE

DECORATIVE LIGHTING

BARS FLUSH MOUNT LED

PROJECT DATE

COMMENTS



PHYSICAL

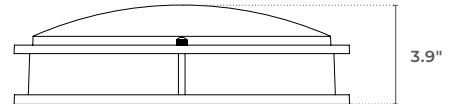
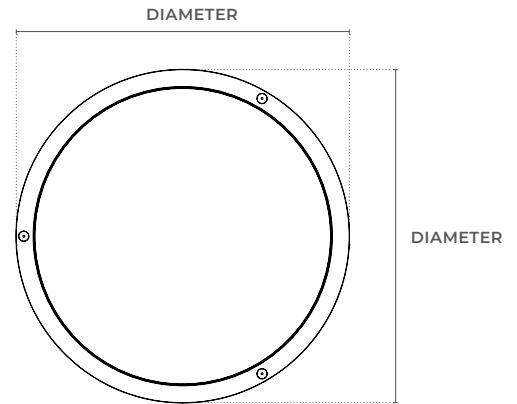
Material	Metal Back Plate
Mounting	Surface
Lens	Polystyrene
Finish	Black or Brushed Nickel
Source	LED
CCT	Single CCT, Field Selectable 3CCT or Field Selectable 5CCT: 2700K, 3000K, 3500K, 4000K, 5000K
CRI	80+ or 90+

PERFORMANCE

Warranty	5 years
Certification	Damp Location, ETL, Energy Star
Rated Life	L70 50,000 hours

ELECTRICAL

Wattage	15W, 20W, 25W
Voltage	120V
Power Factor	>0.90
Dimmable	Yes



ENERGY CHART

DIAMETER inches	DELIVERED LUMENS	WATTAGE	EFFICACY lm/w
12	1100	15	73.3
14	1500	20	75
16	1900	25	76

ORDERING LOGIC

EX: BARS-12-27-80-BK

FAMILY	DIAMETER	CCT	CRI	FINISH
BARS	12 12"	27 2700K	80 80+ STANDARD	BK Black
		30 3000K	90 90+	BN Brushed Nickel
	14 14"	35 3500K		
		40 4000K		
		50 5000K		
	16 16"	FS3 Field Selectable 3000K / 4000K / 5000K		
		FSS Field Selectable 2700K / 3000K / 3500K / 4000K / 5000K		