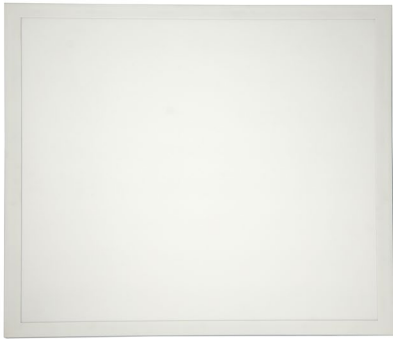


PROJECT  DATE

COMMENTS



**IN STOCK**



**ENERGY CHART**

SIZE	DELIVERED LUMENS	WATTAGE	EFFICACY lm/w
14	2500	18	138.9
	3750	24	156.3
	5000	28	178.6
22	2500	18	138.9
	3750	24	156.3
	4500	30	150
24	3750	30	125
	5000	35	142.9
	5625	40	140.6

**ORDERING LOGIC** EX: BPA-14

FAMILY	SIZE	OPTIONS
<b>BPA</b>		
	<b>14</b>	<b>EM</b> Emergency Backup: 90-Min.
	<b>22</b>	
	<b>24</b>	

**BPA BACKLIT PANEL ADJUSTABLE LED**

The BPA flat panel offers a high efficiency LED light output with field selectable wattage and color temperature. Backlit LED technology with PMMA lensing provides high uniformity and reduced glare while achieving DLC Premium with a rigid back enclosure that prevents warping.

- 2' X 4'
- 2' X 2'
- 1' X 4'

**PHYSICAL**

Mounting	Recessed, Surface, Suspended
Lens	PMMA Lens, PS Diffuser

**PERFORMANCE**

Warranty	5 years
Certifications	Damp Location, IC Rated, UL, DLC Premium, FCC, ROHS Compliant
Rated Life	L70 50,000 hours
Operating Temperature	-20°C to 35°C (-4°F to 95°F)
UGR	<22
CCT	Field Selectable: 3500K, 4000K, 5000K
CRI	80+
Beam Angle	120°

**ELECTRICAL**

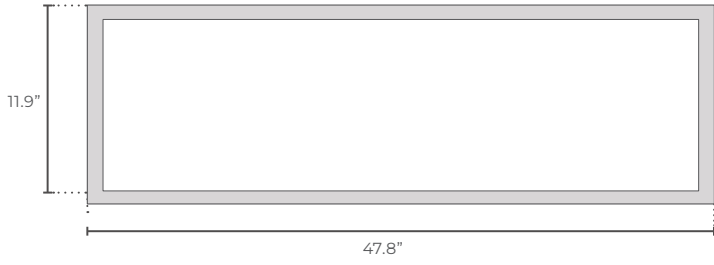
Wattage	Field Selectable: 1X4: (18W/24W/28W), 2X2: (18W/24W/30W), 2X4: (30W/35W/40W)
Voltage	120-277V
Dimmable	0-10V

**ACCESSORIES ORDERING LOGIC (ORDER SEPARATELY)** EX: BPA-CK142

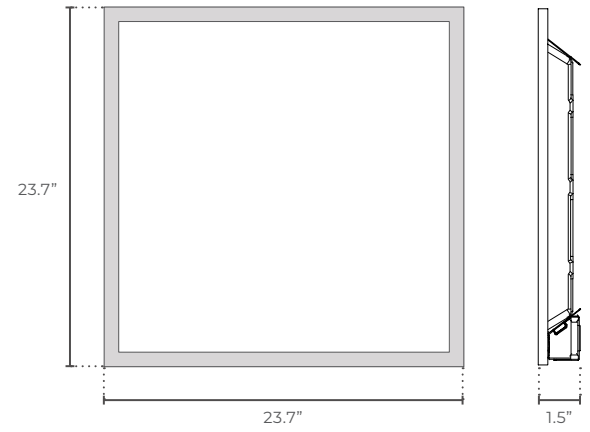
FAMILY	ACCESSORIES
<b>BPA</b>	
	<b>CK142</b> 1x4 Suspension Cable Kit: 2 Cables
	<b>CK144</b> 1x4 Suspension Cable Kit: 4 Cables
	<b>CK222</b> 2x2 Suspension Cable Kit: 2 Cables
	<b>CK224</b> 2x2 Suspension Cable Kit: 4 Cables
	<b>CK242</b> 2x4 Suspension Cable Kit: 2 Cables
	<b>CK244</b> 2x4 Suspension Cable Kit: 4 Cables
	<b>SMK14</b> 1x4 White Surface Mount Kit
	<b>SMK22</b> 2x2 White Surface Mount Kit
<b>SMK24</b> 2x4 White Surface Mount Kit	

**DIMENSIONS**

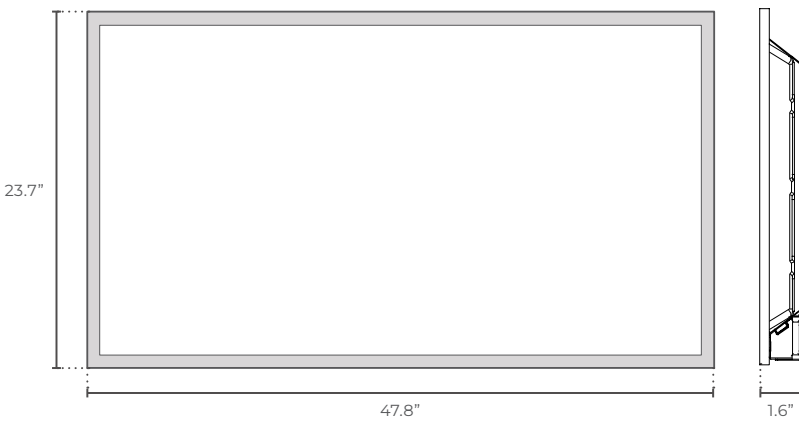
**1 X 4**



**2 X 2**



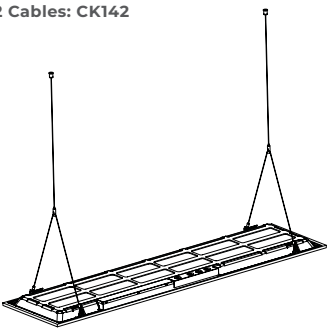
**2 X 4**



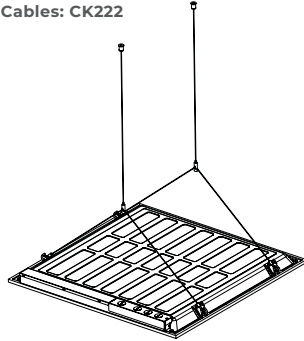
**MOUNTING**

**Suspended Mount**

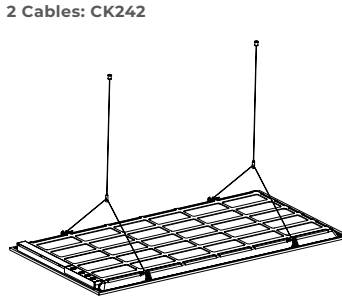
**2 Cables: CK142**



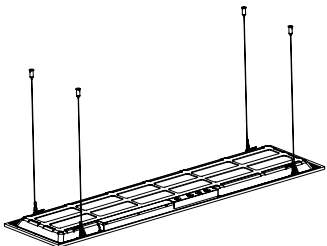
**2 Cables: CK222**



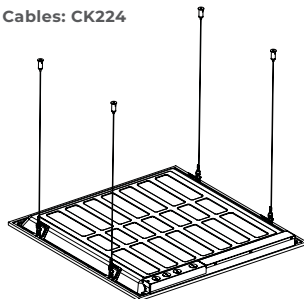
**2 Cables: CK242**



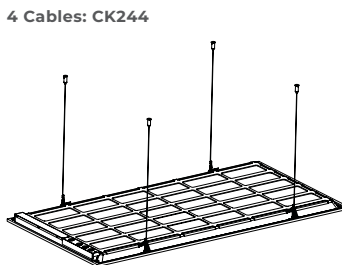
**4 Cables: CK144**



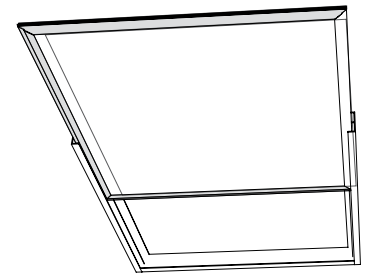
**4 Cables: CK224**



**4 Cables: CK244**



**Surface Mount**



**SMK14** 1x4 White Surface Mount Kit

**SMK22** 2x2 White Surface Mount Kit

**SMK24** 2x4 White Surface Mount Kit