

PROJECT \_\_\_\_\_ DATE \_\_\_\_\_

COMMENTS \_\_\_\_\_



### ENERGY CHART

SIZE	HEIGHT feet	WIDTH feet	DELIVERED LUMENS 4000K	WATTAGE	EFFICACY lm/w
14	1	4	3125	25	125
	1	4	3750	30	125
	1	4	5000	40	125
22	2	2	2500	20	125
	2	2	3125	25	125
	2	2	3750	30	125
	2	2	4500	36	125
24	2	4	3750	30	125
	2	4	5000	40	125
	2	4	6250	50	125

## BPF BACKLIT PANEL FIXED LED

The BPF flat panel offers a high efficiency LED light output with multiple sizes and mounting options. Backlit LED technology with PMMA lensing provides high uniformity and reduced glare while achieving DLC Premium with a rigid back enclosure that prevents warping.

- 2' X 4'
- 2' X 2'
- 1' X 4'

### PHYSICAL

Mounting	Recessed, Surface, Suspended
Lens	PMMA Lens, PS Diffuser
CCT	3500K, 4000K, 5000K
CRI	80+
Beam Angle	120°

### PERFORMANCE

Warranty	5 years
Certifications	Damp Location, IC Rated, UL, DLC Premium, FCC, ROHS Compliant
Rated Life	L70 50,000 hours
Operating Temperature	-20°C to 43°C (4°F to 110°F)
UGR	<22

### ELECTRICAL

Wattage	20W, 25W, 30W, 36W, 40W, 50W
Voltage	120-277V
Dimmable	0-10V

### ORDERING LOGIC

EX: BPF-14-30-30-80-R

FAMILY	SIZE	WATTAGE	CCT	OPTIONS
BPF	14 1 x 4	25 25W	35 3500K	EM Emergency Backup: 90-Min.
		30 30W	40 4000K	
		40 40W	50 5000K	
	22 2 x 2	20 20W		
		25 25W		
		30 30W		
		36 36W		
	24 2 x 4	30 30W		
		40 40W		
		50 50W		

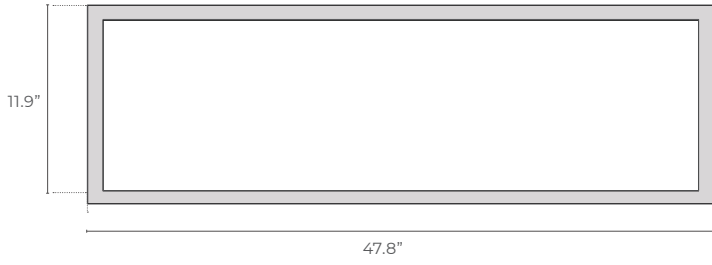
### ACCESSORIES ORDERING LOGIC (ORDER SEPARATELY)

EX: BPF-CK142

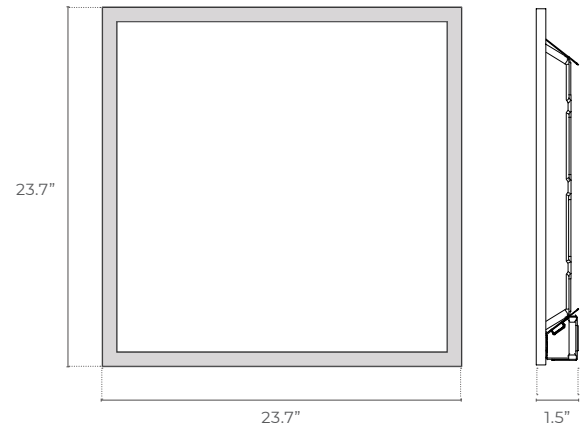
FAMILY	ACCESSORIES
BPF	CK142 1x4 Suspension Cable Kit: 2 Cables
	CK144 1x4 Suspension Cable Kit: 4 Cables
	CK222 2x2 Suspension Cable Kit: 2 Cables
	CK224 2x2 Suspension Cable Kit: 4 Cables
	CK242 2x4 Suspension Cable Kit: 2 Cables
	CK244 2x4 Suspension Cable Kit: 4 Cables
	SMK14 1x4 White Surface Mount Kit
	SMK22 2x2 White Surface Mount Kit
SMK24 2x4 White Surface Mount Kit	

**DIMENSIONS**

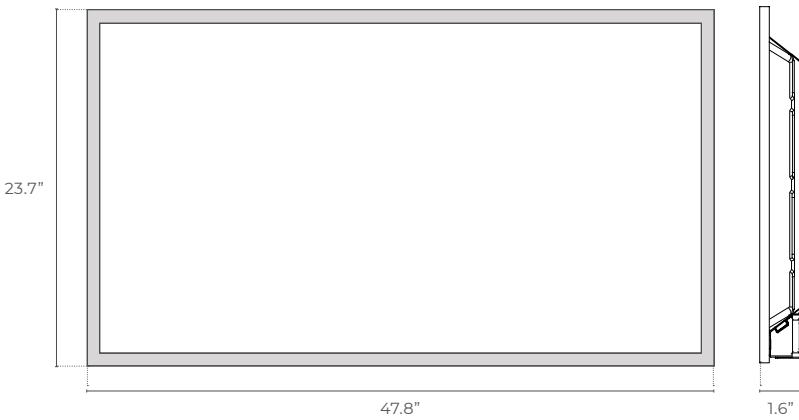
**1 X 4**



**2 X 2**



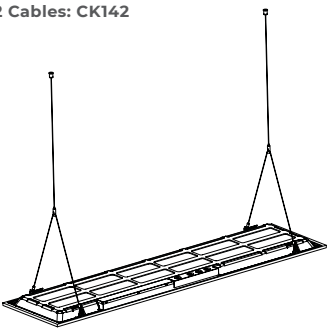
**2 X 4**



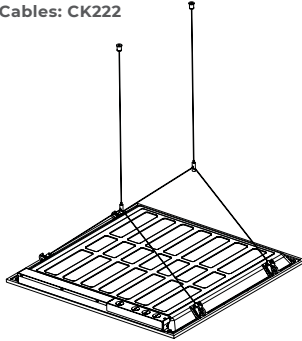
**MOUNTING**

**Suspended Mount**

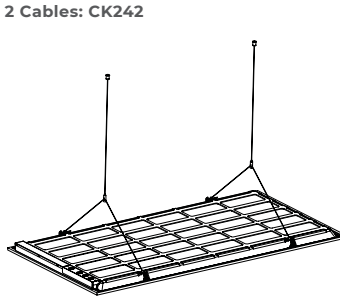
**2 Cables: CK142**



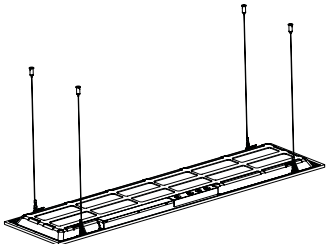
**2 Cables: CK222**



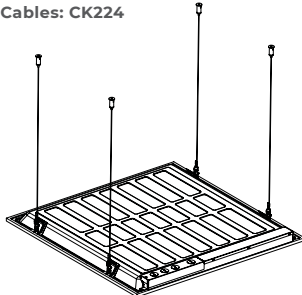
**2 Cables: CK242**



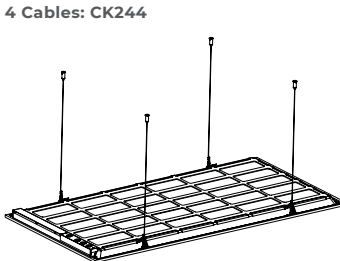
**4 Cables: CK144**



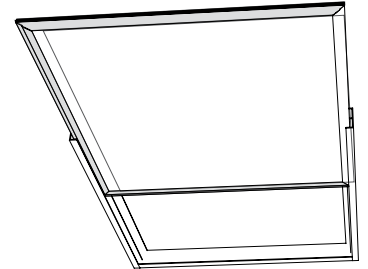
**4 Cables: CK224**



**4 Cables: CK244**



**Surface Mount**



**SMK14** 1x4 White Surface Mount Kit

**SMK22** 2x2 White Surface Mount Kit

**SMK24** 2x4 White Surface Mount Kit