

PROJECT DATE

COMMENTS



IN STOCK



ENERGY CHART

OUTPUT	WATTAGE	DELIVERED LUMENS	EFFICACY lm/w
FS1*	10	750	75
	15	1125	75
	20	1500	75
FS2	27	2160	80
	34	2720	80
	40	3200	80

* IC RATED

CDL COMMERCIAL DOWNLIGHT ROUND LED

CDL is a cost effective commercial grade round downlight with integral junction box, available in 4", 6", or 8" trims with general open or wall wash distribution. For new construction, a frame kit is available. For remodel applications, CDL can be installed from below the ceiling without a new construction frame kit.

- Residential
- Commercial
- Hospitality

PHYSICAL

Housing Material	Aluminum
Reflector	Spun Aluminum Haze Finish
Mounting	Recessed: Spring Clips or New Construction Frame Kit
Trim Finish	White
Trim Shapes	Round Trim, Round Wall Wash Trim

PERFORMANCE

Warranty	5 years
Certifications	Damp Location, UL, Energy Star
IC Rated	FS1 Only
Rated Life	>50,000 hours
CCT	Field Selectable 3CCT: 3000K, 3500K, 4000K
CRI	80+

ELECTRICAL

Wattage	Field Selectable: 10/15/20W, 27/34/40W
Voltage	120-347V
Power Factor	>0.9
Dimmable	0-10V, 1-10V

ORDERING LOGIC

EX: CDL-4-RO-FS1

FAMILY	SIZE	TRIM	OUTPUT	CCT
CDL	4 4"	RO Round Open <small>4" / 6" / 8"</small>	FS1¹ 10W/15W/20W	(blank) 3000K/3500K/4000K
	6 6"	RW Round Wall Wash <small>4" / 6" ONLY</small>	FS2² 27W/34W/40W	
	8 8"			

ORDERING NOTES

- 1 IC Rated
- 2 1-10V Dimming Only

SEE NEXT PAGE FOR ACCESSORIES

ACCESSORIES ORDERING LOGIC (ORDER SEPARATELY)

EX: CDL-4FK

FAMILY	ACCESSORIES
CDL	
4FK	4" New Construction Frame Kit
6FK	6" New Construction Frame Kit
8FK	8" New Construction Frame Kit
EM	120-277V Emergency LED Driver: 120 Minutes

SPECIFICATIONS

STRUCTURE

Spun aluminum shadow-free reflector integrated with haze finish and white trim ring.

TRIM OPTIONS

- Round Trim: 4", 6", 8"
- Round Wall Wash Trim: 4", 6"

ELECTRICAL

Class 2, high efficiency, 0-10V/1-10V driver with continuous dimming down to 10%.

Confirmed compatibility with (but not limited to) the following dimmers:

1. Leviton IP710-DL
2. Leviton IP710-LF
3. Lutron PowPak 0-10V Dimming Module
4. Lutron Diva-Dvtv
5. Hubbell NX Distributed Room Controller
6. Cooper Greengate Room Controller
7. nLight nPPI6D
8. WattStopper DLM

LED SYSTEM

CRI: Minimum 80 color rendering index
CCT: 3000K, 3500K, and 4000K

Thermal Management: Aluminum housing acts as the heat sink to maximize life.

MOUNTING

Durable spring clips allow for fast and easy flush installation. New construction frame kit can be ordered separately.

APPROVALS

- cULus listed for damp locations
- Energy Star Listed
- Tested to IESNA LM-79 and LM-80

WARRANTY

5-year limited warranty on LED and driver.

ADDITIONAL OPTIONS

Emergency Option: Optional high power 120-277V emergency LED driver for lighting up to 120 minutes in event of power failure.

ADDITIONAL IMAGERY

AVAILABLE TRIMS



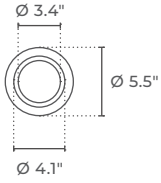
HOUSING



DIMENSIONS

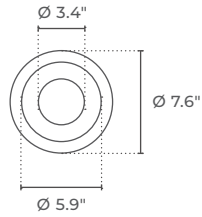
ROUND OPEN TRIMS

4"



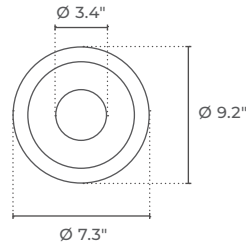
Ceiling Opening: 4.7"-5.2"

6"



Ceiling Opening: 6"-7.3"

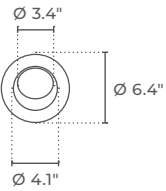
8"



Ceiling Opening: 7.4"-8.9"

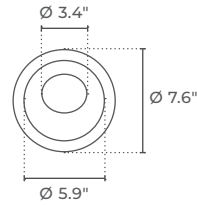
ROUND WALL WASH TRIMS

4"



Tilt: 15-20°
Ceiling Opening: 5.3"-6"

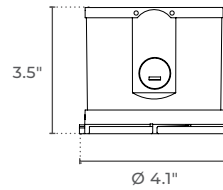
6"



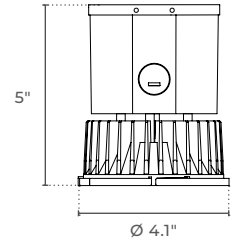
Tilt: 15-20°
Ceiling Opening: 6"-7.3"

ENGINE

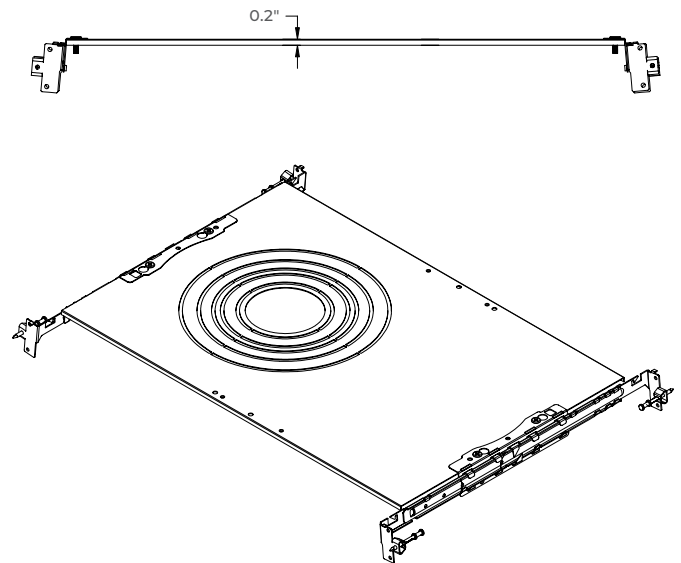
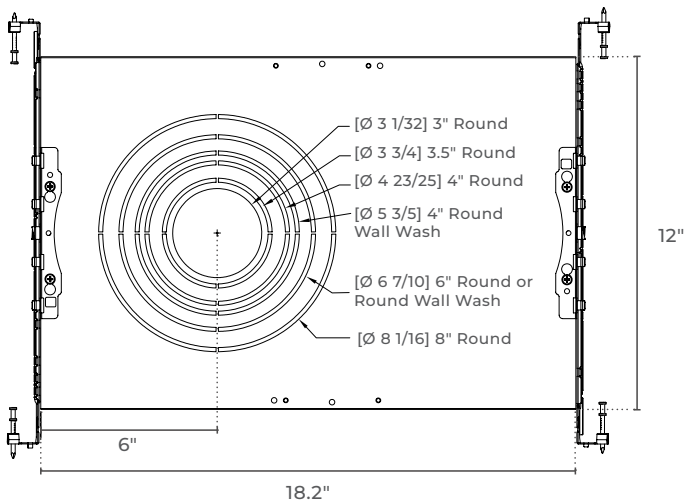
FS1



FS2



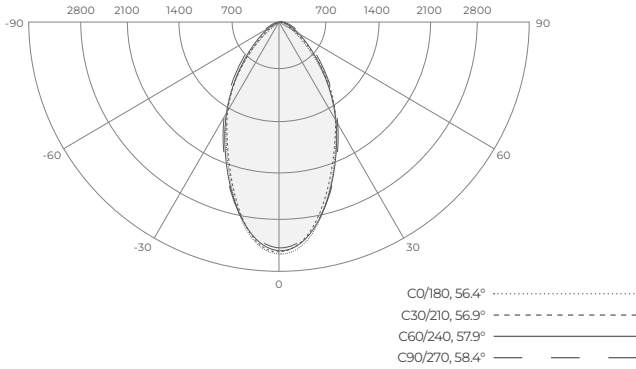
NEW CONSTRUCTION FRAME KIT



PHOTOMETRICS - 6"-40W-ROUND TRIM

Luminaire photometry has been conducted by accredited testing laboratory in accordance with IESNA LM-79-08. IESNA LM-79-08 specifies the entire luminaire as the source resulting in a fixture efficiency of 100%. Result may vary according to component tolerances and ambient environment.

AVERAGE BEAM ANGLE (50%): 57.4°

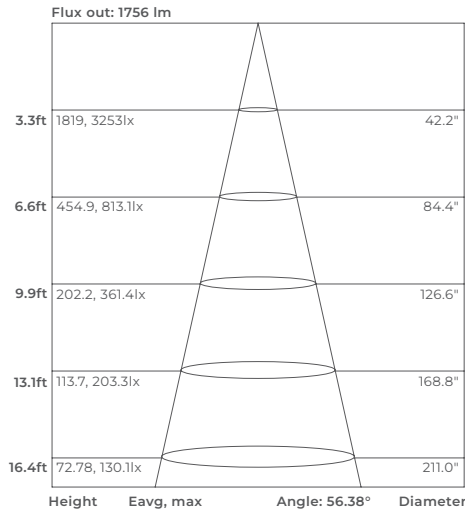


ZONAL FLUX DIAGRAM

T	C0	C45	C90	C135	C180	C225	C270	C315
10°	2916	2896	2871	2857	2912	2879	2879	2847
20°	2201	2209	2188	2161	2186	2173	2203	2164
30°	1521	1544	1542	1506	1498	1511	1552	1516
40°	891.0	956.2	972.7	929.2	869.3	928.2	987.2	941.9
50°	335.4	424.5	441.2	395.6	321.0	402.9	451.4	401.2
60°	58.83	91.82	97.54	78.63	54.01	80.69	104.7	80.35
70°	3.285	2.050	1.504	1.915	3.235	2.035	1.621	2.036
80°	1.606	0.8562	0.5011	0.8066	1.591	0.8574	0.4999	0.8304
90°	0.1094	0.0676	0.0949	0.0811	0.0721	0.1087	0.0767	0.1179

LUMINOUS INTENSITY: cd

Average Illuminance Curve



ZONAL LUMEN SUMMARY

T	φ ZONE	φ TOTAL	LUMEN/LAMP percentage
0-10	289.3	289.3	8.69, 8.69
10-20	708.6	997.9	30, 30
20-30	842.1	1840	55.3, 55.3
30-40	760.8	2601	78.1, 78.1
40-50	500.0	3101	93.2, 93.2
50-60	188.9	3290	98.8, 98.8
60-70	27.06	3317	99.7, 99.7
70-80	1.566	3318	99.7, 99.7
80-90	0.6113	3319	99.7, 99.7

UNIT: lm

NOTE

The curves indicate the illuminated area and the average illumination when the luminaire is at different distance.

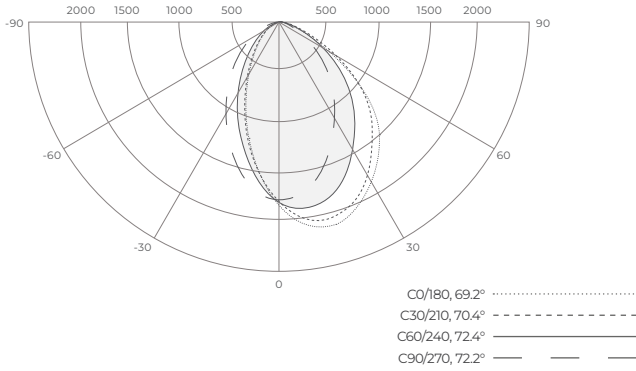
COEFFICIENTS OF UTILIZATION

ppc	80%			70%			50%			30%			10%			0
	50%	30%	10%	50%	30%	10%	50%	30%	10%	50%	30%	10%	50%	30%	10%	
pw	20%			20%			20%			20%			20%			0
pfc																0
RCR	RCR: Room Cavlty Ratio (CU)															
0.0	119	119	119	116	116	116	111	111	111	106	106	106	102	102	102	0
1.0	110	107	104	107	105	103	103	101	0	0	98	97	96	95	94	92
2.0	101	96	92	99	95	91	96	92	89	93	90	87	90	87	85	84
3.0	93	87	83	91	86	82	88	84	81	86	82	79	84	81	78	76
4.0	85	79	74	84	78	74	82	77	73	80	76	72	78	74	71	70
5.0	79	72	67	78	72	67	76	71	67	74	70	66	73	69	65	64
6.0	73	66	62	72	66	61	71	65	61	69	64	60	68	63	60	58
7.0	68	61	57	67	61	56	66	60	56	65	60	56	63	59	55	54
8.0	63	57	52	63	56	52	62	56	52	61	55	52	59	55	51	50
9.0	59	53	48	59	53	48	58	52	48	57	52	48	56	51	48	46
10.0	56	49	45	55	49	45	54	49	45	53	48	45	53	48	44	43

PHOTOMETRICS - 6"-40W-ROUND WALL WASH TRIM

Luminaire photometry has been conducted by accredited testing laboratory in accordance with IESNA LM-79-08. IESNA LM-79-08 specifies the entire luminaire as the source resulting in a fixture efficiency of 100%. Result may vary according to component tolerances and ambient environment.

AVERAGE BEAM ANGLE (50%): 71.0°

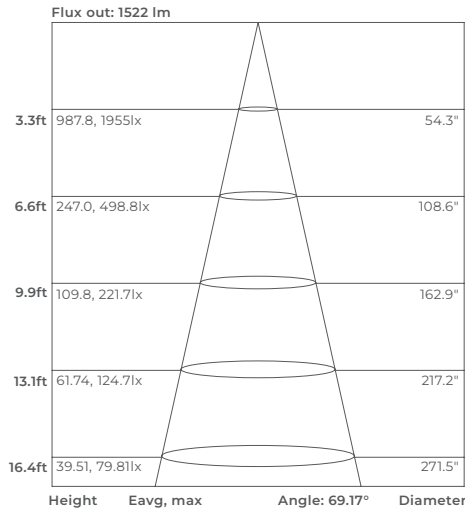


ZONAL FLUX DIAGRAM

T	C0	C45	C90	C135	C180	C225	C270	C315
10°	2085	1962	1700	1461	1397	1445	1654	1654
20°	2080	1892	1449	1069	944.4	1031	1366	1366
30°	1866	1658	1132	716.4	584.0	676.9	1036	1036
40°	1572	1343	828.3	446.7	318.6	409.1	740.0	740.0
50°	1152	1001	540.1	222.7	107.6	194.1	468.4	468.4
60°	593.4	562.8	253.7	36.59	12.99	29.40	196.6	196.6
70°	169.5	186.5	59.76	4.875	5.799	4.675	36.88	36.88
80°	4.680	16.81	1.576	1.973	2.586	1.774	1.364	1.364
90°	0.0996	0.0631	0.0831	0.1709	0.1311	0.1950	0.0767	0.0767

LUMINOUS INTENSITY: cd

Average Illuminance Curve



ZONAL LUMEN SUMMARY

T	φ ZONE	φ TOTAL	LUMEN/LAMP percentage
0-10	166.4	166.4	5.64, 5.64
10-20	443.9	610.3	20.7, 20.7
20-30	596.3	1207	40.9, 40.9
30-40	623.2	1830	62, 62
40-50	552.8	2383	80.8, 80.8
50-60	367.5	2750	93.3, 93.3
60-70	156.5	2907	98.6, 98.6
70-80	33.63	2940	99.7, 99.7
80-90	1.021	2941	99.7, 99.7

UNIT: lm

NOTE

The curves indicate the illuminated area and the average illumination when the luminaire is at different distance.

COEFFICIENTS OF UTILIZATION

ppc	80%			70%			50%			30%			10%			0
	50%	30%	10%	50%	30%	10%	50%	30%	10%	50%	30%	10%	50%	30%	10%	
pw																0
pfc	20%			20%			20%			20%			20%			0
RCR	RCR: Room Cavlty Ratio (CU)															
0.0	119	119	119	116	116	116	111	111	111	106	106	106	102	102	102	0
1.0	108	105	102	106	103	100	101	99	97	98	96	94	94	93	91	89
2.0	97	92	87	95	90	86	92	88	84	89	85	82	86	83	80	79
3.0	87	81	76	86	80	75	83	78	74	80	76	72	78	74	71	69
4.0	79	72	66	78	71	66	75	70	65	73	68	64	71	67	63	61
5.0	72	64	59	71	64	58	69	63	58	67	61	57	65	60	57	55
6.0	66	58	52	65	57	52	63	57	52	61	56	51	60	55	51	49
7.0	60	53	47	59	52	47	58	51	47	57	51	46	55	50	46	44
8.0	56	48	43	55	48	43	54	47	42	52	46	42	51	46	42	40
9.0	51	44	39	51	44	39	50	43	39	49	43	39	48	42	38	37
10.0	48	41	36	47	40	36	46	40	36	45	40	35	45	39	35	34