

PROJECT \_\_\_\_\_ DATE \_\_\_\_\_

COMMENTS \_\_\_\_\_



**DISCONTINUED**



**ENERGY CHART**

NOMINAL SIZE	TOTAL DIAMETER inches	HEIGHT inches	DELIVERED LUMENS	WATTAGE	EFFICACY lm/w
3	3.5	2.4	720	8	90
4	4.1	3.1	1350	15	90
5	5.4	3.3	1800	20	90
6L	6.6	3.9	2700	30	90
6H	6.6	3.9	3600	40	90
7	7.5	4.0	4500	50	90

**CDO COMMERCIAL DOWNLIGHT TIR OPTIC LED**

The CDO series is a COB recessed downlight intended for new construction or remodel applications. For new construction, a mounting plate is available. For remodel applications, CDO can be installed from below the ceiling without new construction mounting plate.

- Residential
- Commercial
- Hospitality

**PHYSICAL**

Housing Material	Aluminum
Reflector Material	Polycarbonate
Mounting	Recessed
Housing/Trim Finish	White
Reflector Finish	Black, Gold, Silver, White

**PERFORMANCE**

Warranty	5 years
Certifications	CETL
Rated Life	L70 50,000 hours
Operating Temperature	-20°C to 40°C (-4°F to 104°F)
CCT	2700K, 3000K, 3500K, 4000K, 5000K
CRI	90+
Beam Angle	15°, 24°, 36°, 60°

**ELECTRICAL**

Wattage	8W, 15W, 20W, 30W, 40W, 50W
Voltage	100-277V
Power Factor	>0.9
Dimmable	Triac or 0-10V

**ORDERING LOGIC**

EX: CDO-3-27-ND-15-BK

FAMILY	NOMINAL SIZE	CCT	DIMMING	BEAM ANGLE	REFLECTOR FINISH	OPTIONS
<b>CDO</b>						
	<b>3</b> 3", 8W	<b>27</b> 2700K	<b>ND</b> Non-Dimming	<b>15</b> 15°	<b>BK</b> Black	<b>NC*</b> New Construction Mounting Plate
	<b>4</b> 4", 15W	<b>30</b> 3000K	<b>TR</b> Triac	<b>24</b> 24°	<b>GD</b> Gold	
	<b>5</b> 5", 20W	<b>35</b> 3500K	<b>010</b> 0-10V	<b>36</b> 36°	<b>SL</b> Silver	
	<b>6L</b> 6", 30W	<b>40</b> 4000K		<b>60</b> 60°	<b>WH</b> White	
	<b>6H</b> 6", 40W	<b>50</b> 5000K				
	<b>7</b> 7", 50W					

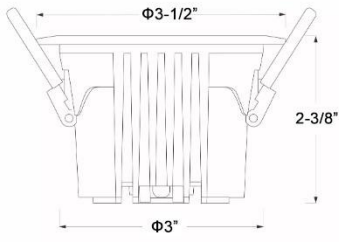
**ORDERING NOTES**

\* Only available with CDO-3 nominal size option.

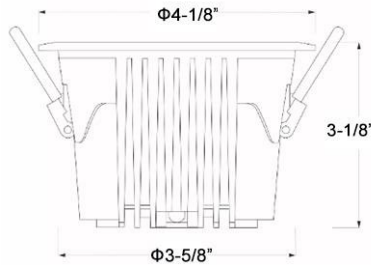


DIMENSIONS

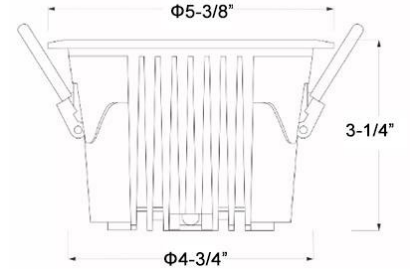
8W



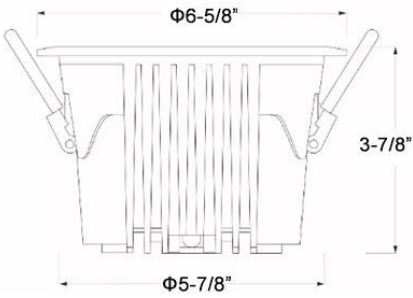
15W



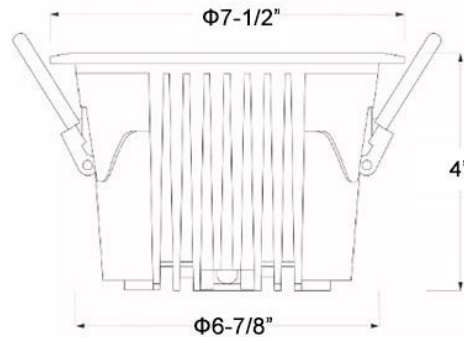
20W



30W & 40W



50W



REFLECTOR FINISH OPTIONS

Black



Gold



Silver



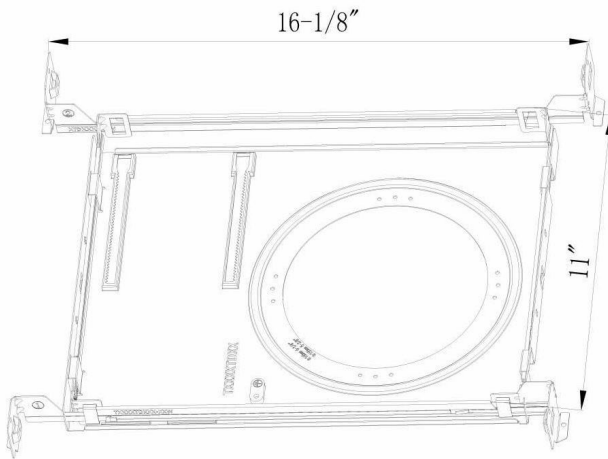
White



**NEW CONSTRUCTION MOUNTING PLATE**



**MINIMUM**



**MAXIMUM**

