



DUNTON HOUSE

DECORATIVE LIGHTING

CLARK-2 VANITY E26

PROJECT DATE

COMMENTS



Matte Black



Brushed Nickel



Black + Gold

PHYSICAL

| | |
|---------------|---|
| Material | Metal |
| Lens Material | Clear Glass |
| Mounting | Wall Mounted (Up or Down) |
| Finish | Black, Brushed Nickel, Black + Gold |
| Source | 2 x E26, Decorative Type A Shape Recommended (Lamps Not Included) |
| Dimensions | W 16" x D 7.5" x H 11.75" |

PERFORMANCE

| | |
|---------------|---------|
| Warranty | 5 years |
| Certification | cETLus |

DIMENSIONAL DATA

| HEIGHT inches | WIDTH inches | DEPTH inches |
|------------------|-----------------|-----------------|
| 11.75 | 16 | 7.5 |

ELECTRICAL

| | |
|----------|---|
| Wattage | 60W Type A Maximum Per Socket |
| Voltage | 120V |
| Dimmable | Yes, with dimmable lamp and dimmable switch. Dimmable lamp and dimmable switch not included. |

NOTES

| | |
|-------|-------------|
| Usage | Indoor Only |
|-------|-------------|

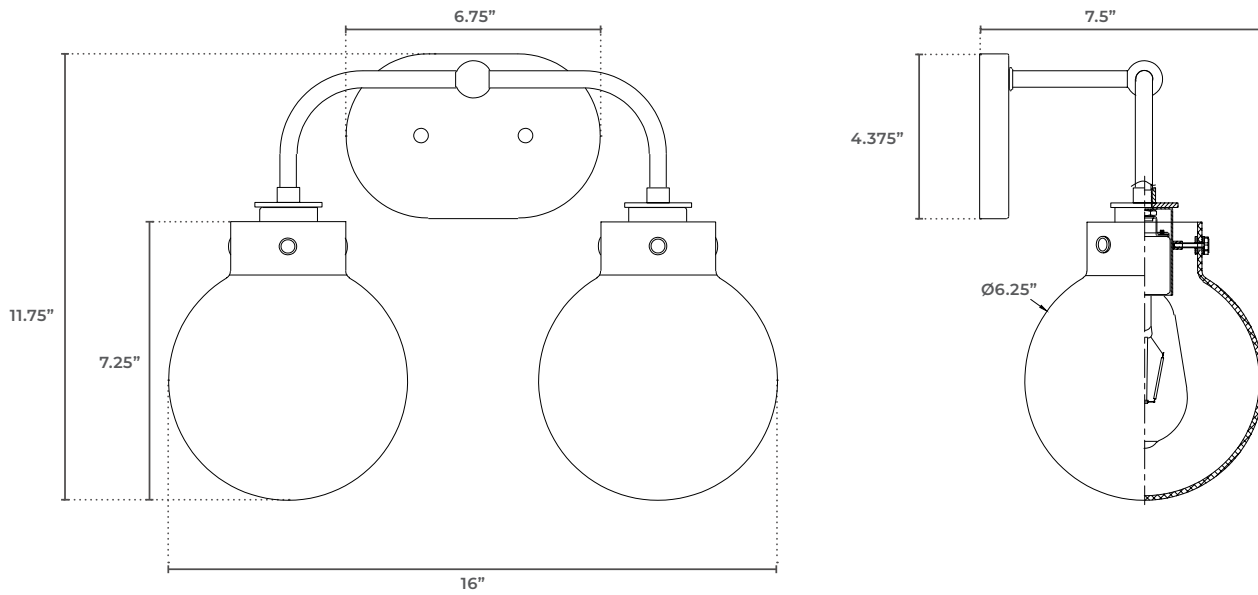
ORDERING LOGIC

EX: CLARK-2-BK

| FAMILY | TYPE | FINISH |
|--------------|----------|--------------------------|
| CLARK | 2 | |
| | 2 2 Lamp | BK Matte Black |
| | | BN Brushed Nickel |
| | | BKGD Black + Gold |



DIMENSIONS



CLARK FAMILY

CLARK-WL
EXTERIOR SCNCE E26



CLARK-1
VANITY E26



CLARK-3
VANITY E26



CLARK-4
VANITY E26



CLARK-C
CHANDELIER E26 CHAIN + STEM



CLARK-MP
MINI PENDANT E26 CABLE + STEM

