



# DUNTON HOUSE

## DECORATIVE LIGHTING

### CLARK-C CHANDELIER E26 CHAIN + STEM

PROJECT \_\_\_\_\_ DATE \_\_\_\_\_

COMMENTS \_\_\_\_\_



#### PHYSICAL

Material	Metal
Lens Material	Clear Glass
Mounting	Suspended CH: 1 x 48" Chain Adjustable, ST: 2 x 12", 2 x 6" Stems
Finish	Black, Brushed Nickel, Black + Gold
Source	3/5 x E26, Decorative Type A Shape Recommended (Lamps Not Included)
Dimensions	3 Lamp: D 20.5" x H 12.875" 5 Lamp: D 35" x H 12.875"

#### PERFORMANCE

Warranty	5 years
Certifications	cETLus

#### ELECTRICAL

Wattage	60W Type A Maximum Per Socket
Voltage	120V
Dimmable	Yes, with dimmable lamp and dimmable switch. Dimmable lamp and dimmable switch not included.



WITH CHAIN MOUNTING



WITH STEM MOUNTING

#### NOTES

Usage	Indoor Only
-------	-------------

#### ORDERING LOGIC

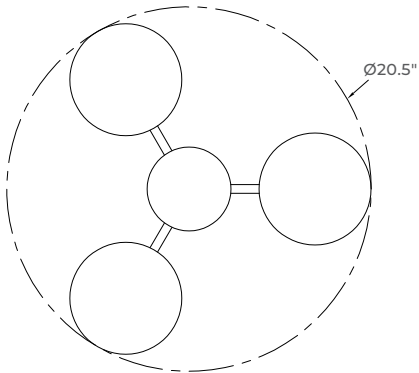
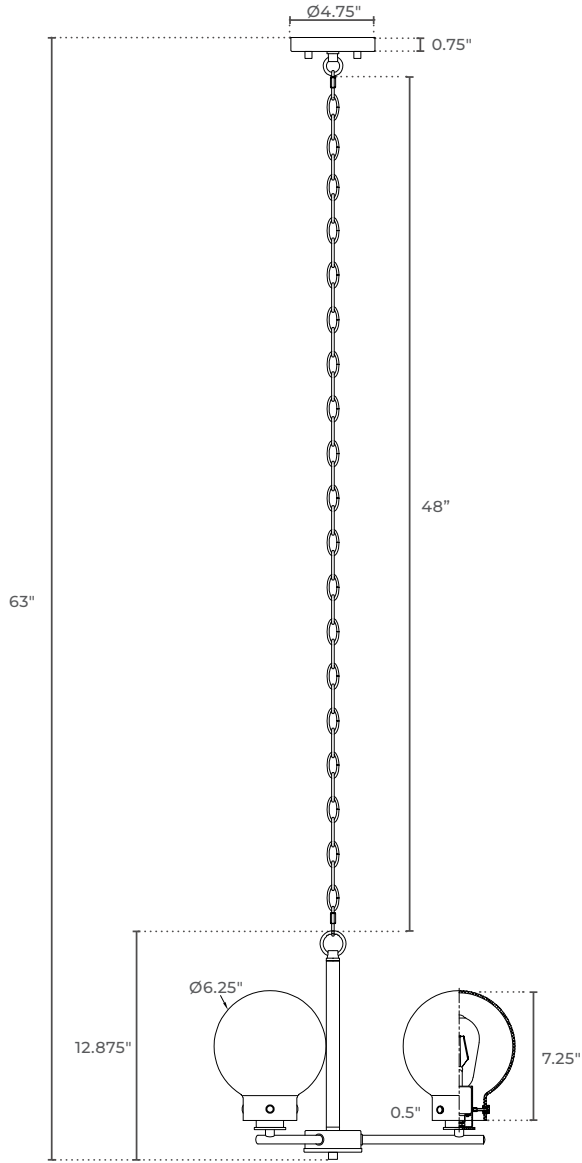
EX: CLARK-C-CH-3-BK

FAMILY	TYPE	MOUNTING	SIZE	FINISH
<b>CLARK</b>	<b>C</b>			
	<b>C</b> Chandelier	<b>CH</b> Chain	<b>3</b> 3 Lamp	<b>BK</b> Matte Black
		<b>ST</b> Stem	<b>5</b> 5 Lamp	<b>BN</b> Brushed Nickel
				<b>BKGD</b> Black + Gold

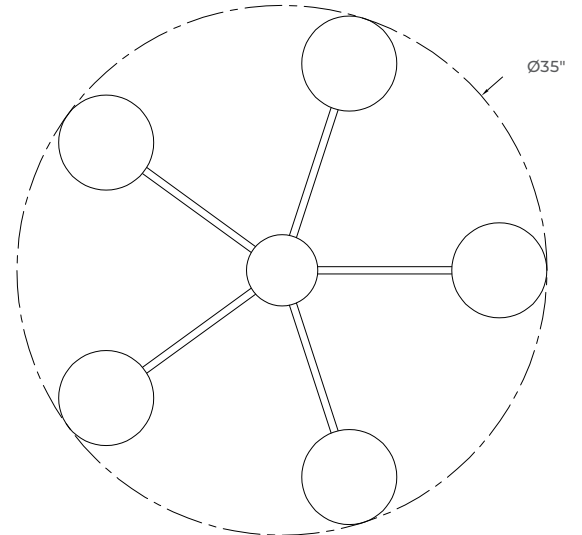
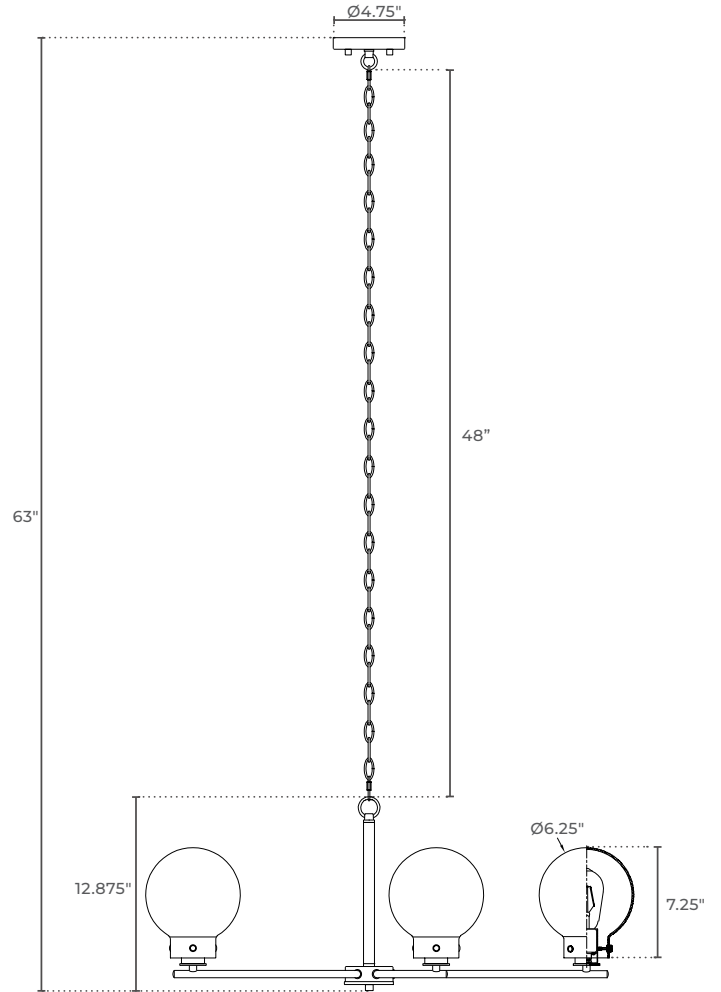


**DIMENSIONS**

CLARK-C-CH-3

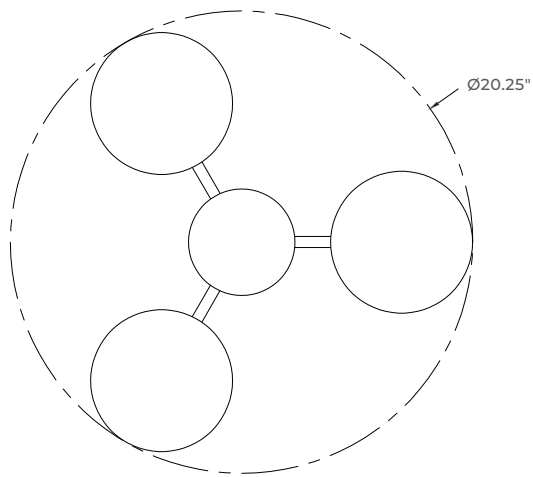
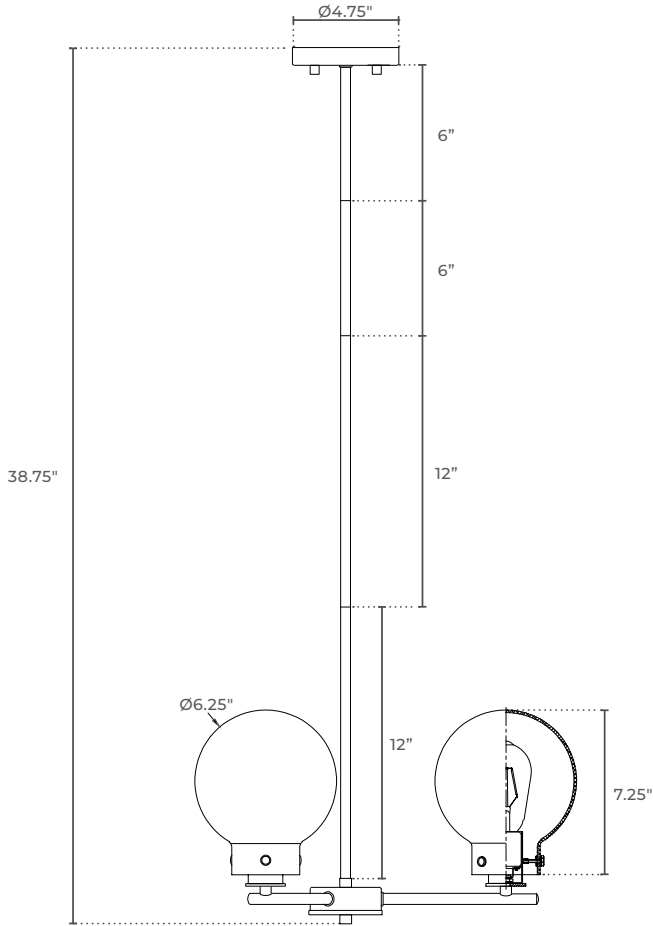


CLARK-C-CH-5

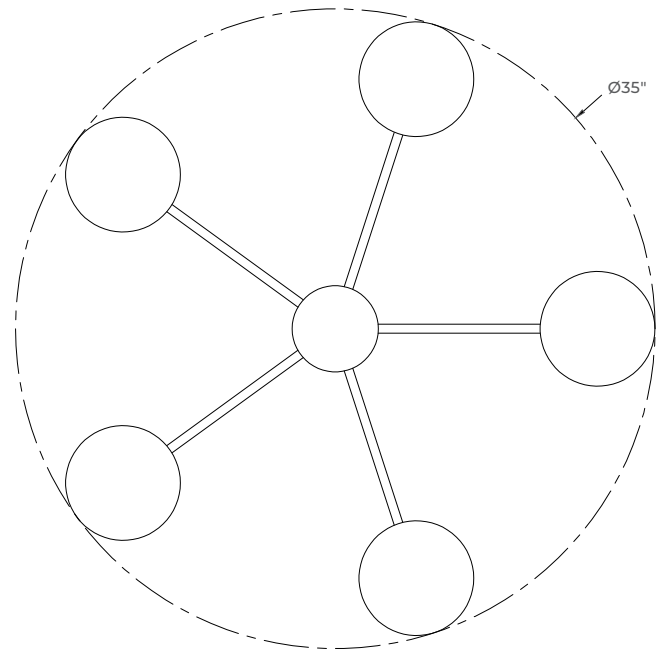
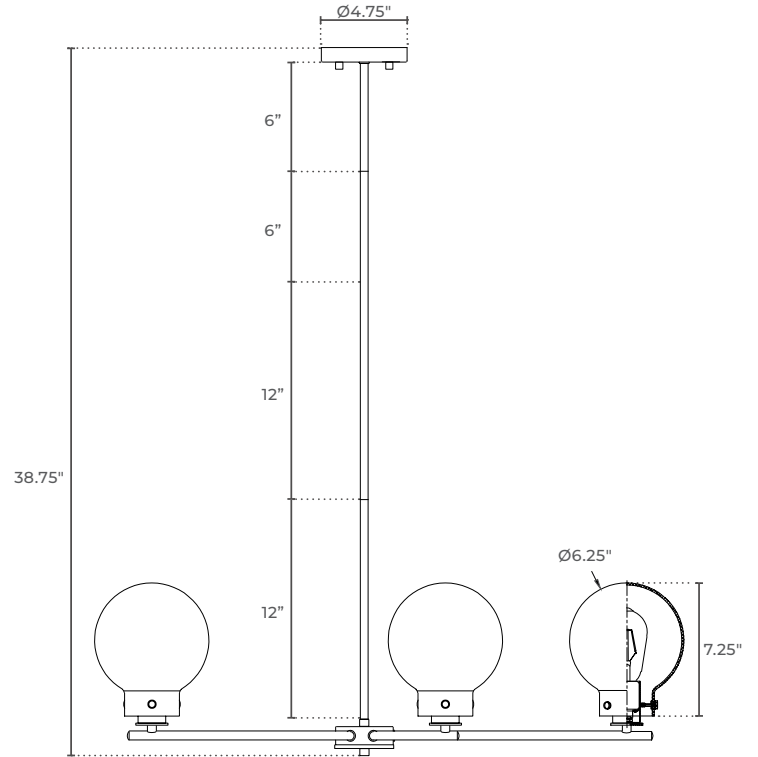


**DIMENSIONS**

CLARK-C-ST-3



CLARK-C-ST-5



**CLARK FAMILY**

**CLARK-WL**  
EXTERIOR SCENCE E26



**CLARK-1**  
VANITY E26



**CLARK-2**  
VANITY E26



**CLARK-3**  
VANITY E26



**CLARK-4**  
VANITY E26



**CLARK-MP**  
MINI PENDANT E26 CABLE + STEM



**ADDITIONAL IMAGERY**



**CLARK-C-CH-3-BKGD**



**CLARK-C-CH-5-BKGD**



**CLARK-C-ST-3-BKGD**



**CLARK-C-ST-5-BKGD**



**CLARK-C-CH-3-BN**



**CLARK-C-CH-5-BN**



**CLARK-C-ST-3-BN**



**CLARK-C-ST-5-BN**

