



# DUNTON HOUSE

## DECORATIVE LIGHTING

### CLARK-WL EXTERIOR SCONCE E26/LED

PROJECT  DATE

COMMENTS



#### PHYSICAL

Material	Metal
Lens Material	E26: Clear Glass LED: Opal Glass
Mounting	Wall Mounted
Finish	Black
Source	E26: 1 x E26, (Lamp Not Included), Decorative A15, B, and G Shapes Recommended. Do not use A19 Shape, it will not fit inside glass shade. LED: 12W Integrated LED
Dimensions	W 6" x D 8" x H 13"

#### PERFORMANCE

Warranty	5 years
Certification	cETLus, Wet Location
Rated Life	LED: L70 > 50,000 hours
CCT	LED: 3000K
CRI	LED: 80CRI
Delivered Lumens	LED: 600

#### ELECTRICAL

Wattage	E26: 60W Type A Maximum Per Socket LED: 12W
Voltage	120V
Dimmable	Yes, with dimmable lamp and dimmable switch. Dimmable lamp and dimmable switch not included.



WITH E26 SOURCE



WITH LED SOURCE

#### DIMENSIONAL DATA

HEIGHT inches	WIDTH inches	DEPTH inches
13	6	8

#### NOTES

Usage	Indoor Only
-------	-------------

#### ORDERING LOGIC

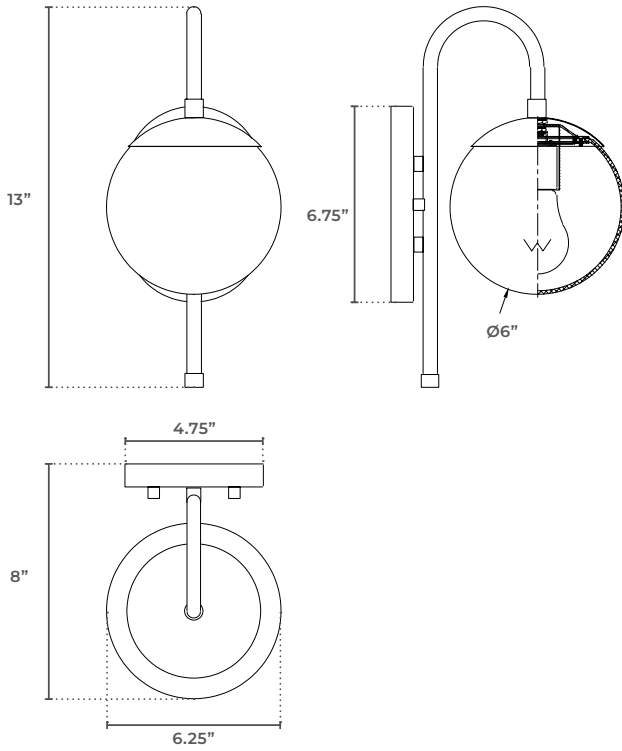
EX: CLARK-WL-E26

FAMILY	TYPE	SOURCE
<b>CLARK</b>	<b>WL</b>	
	<b>WL</b>	Wet Location Exterior Sconce
		<b>E26</b> E26 <b>LED</b> LED

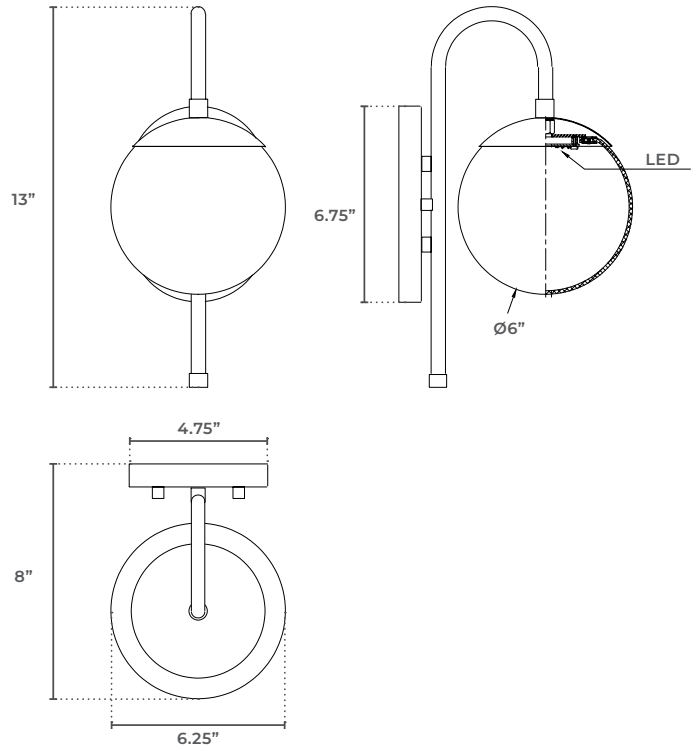


**DIMENSIONS**

**CLARK-WL-E26**



**CLARK-WL-LED**



**CLARK FAMILY**

**CLARK-1**  
VANITY E26



**CLARK-2**  
VANITY E26



**CLARK-3**  
VANITY E26



**CLARK-4**  
VANITY E26



**CLARK-C**  
CHANDELIER E26 CHAIN + STEM



**CLARK-MP**  
MINI PENDANT E26 CABLE + STEM

