

PROJECT _____ DATE _____

COMMENTS _____



IN STOCK



CP-QS CANOPY LED QUICK SHIP

CP-QS is a high output energy efficient LED canopy light with field selectable wattage and CCT that can replace 80-250W metal halide or high pressure sodium fixtures. The heavy die-cast aluminum housing is anti-corrosion and rust proof with a robust powder coated bronze finish. CP-QS features a built in receptacle port for installing a plug and play motion sensor.

- Parking Garage
- Canopy
- Tunnels

PHYSICAL

Material	Die-Cast Aluminum
Mounting	Surface Mount or 3/4" Conduit Entry for Pendant Mount (Pendant Stem By Others)
Lens	Polycarbonate
Finish	Bronze Powder Coat
Source	Lumileds LEDs

PERFORMANCE

Warranty	5 years
Certifications	cULus, DLC Premium, FCC
Rated Life	L70 50,000 hours
Operating Temperature	-20°C to 45°C (-4°F to 113°F)
CCT	Field Selectable: 3500K, 4000K, 5000K
CRI	80+
Beam Angle	150°

ENERGY CHART

HEIGHT inches	WIDTH inches	DELIVERED LUMENS 5000K	WATTAGE	EFFICACY lm/w
2.73	10.0	5200	40	130
		7800	60	130
		10400	80	130

ELECTRICAL

Wattage	40W, 60W, 80W
Voltage	120-277V
Power Factor	0.90
Dimmable	0-10V

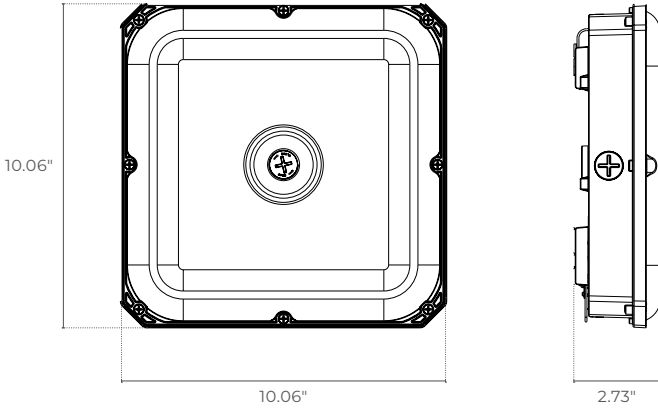
ORDERING LOGIC

EX: CP-QS-FS-BZ

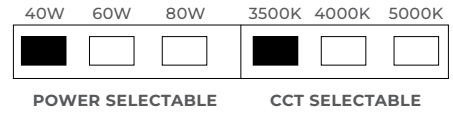
FAMILY	CCT	FINISH	OPTIONS
CP-QS	FS	BZ	
	FS Field Selectable 3500K / 4000K / 5000K	BZ Bronze	(blank) No Motion Sensor MS Motion Sensor Included



DIMENSIONS

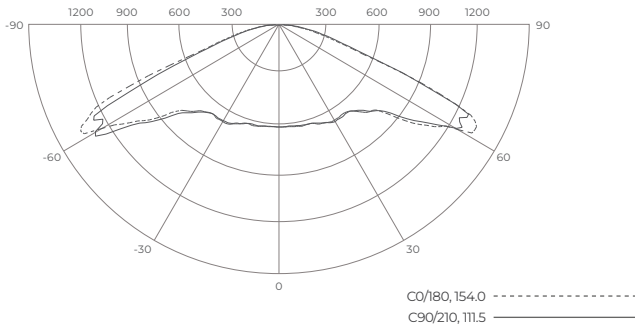


FIELD SELECTABLE FUNCTIONALITY



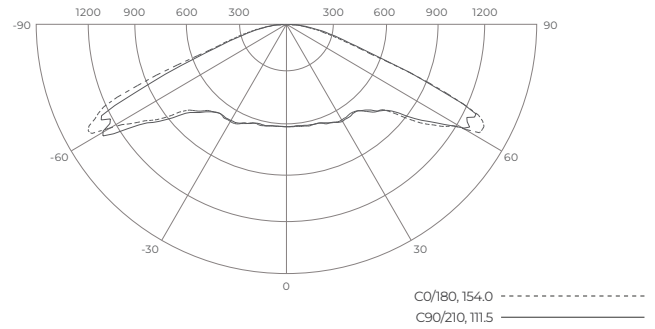
PHOTOMETRICS - CP-QS-40W

AVERAGE BEAM ANGLE (50%): 150.0°



PHOTOMETRICS - CP-QS-60W

AVERAGE BEAM ANGLE (50%): 150.0°



PHOTOMETRICS - CP-QS-80W

AVERAGE BEAM ANGLE (50%): 150.0°

