

PROJECT _____ DATE _____

COMMENTS _____



IN STOCK



ENERGY CHART

INPUT CURRENT		DELIVERED LUMENS	WATTAGE	EFFICACY lm/w
120V	277V			
0.25	0.1	4200	30	140
0.33	0.14	5600	40	140
0.5	0.21	8400	60	140

ORDERING LOGIC

EX: CPR-QS-FS

FAMILY	OUTPUT	OPTIONS
CPR-QS	FS	
	FS Field Selectable 30W / 40W / 60W	MS Motion Sensor EM 18W Emergency Backup

CPR-QS CANOPY ROUND LED QUICK SHIP

CPR-QS is a high efficiency DLC Premium round LED canopy luminaire with an anti-corrosion rust-proof heavy die-cast aluminum housing, high quality oval polycarbonate prismatic lens, and a white powder coat finish. Includes field selectable wattage and a universal voltage driver. CPR-QS can be ceiling mounted or pendant mounted with 3/4" conduit entry at the side or top of the housing (pendant by others). CPR-QS is ideal for indoor or underground parking garages and can replace 60-200W MH/HPS fixtures.

PHYSICAL

Material	Heavy Die-Cast Aluminum Alloy
Lens Material	Polycarbonate
Mounting	Ceiling Mount or Pendant Mount (3/4" Thread Conduit Entry on Top or Side, Pendant by Others)
Finish	White Powder Coat
Source	Lumileds LEDs

PERFORMANCE

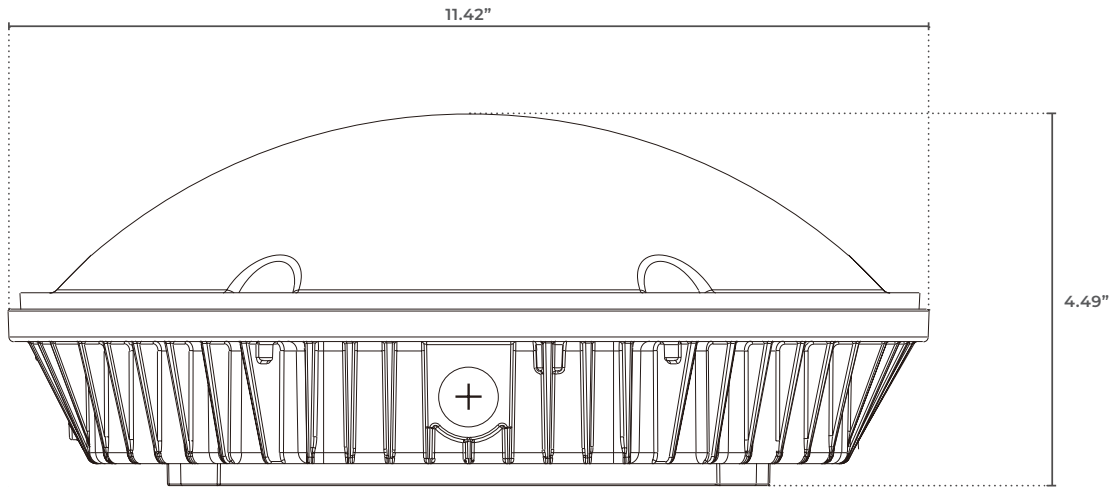
Warranty	5 years
Certifications	cETLus, DLC Premium, FCC
LED Lifetime	L70 > 50,000 hours
Operating Temperature	-20°C to 45°C (-4°F to 113°F)
CCT	5000K
CRI	72+
Beam Angle	150°

ELECTRICAL

Wattage	30W, 40W, 60W
Voltage	120-277V
Power Factor	0.9



DIMENSIONS



OPTIONS

MOTION SENSOR

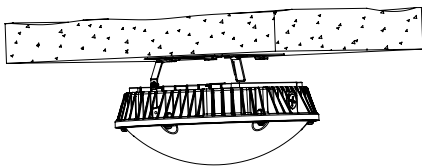


18W EMERGENCY DRIVER

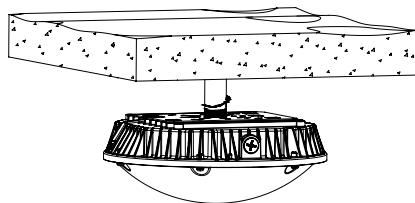


INSTALLATION METHODS

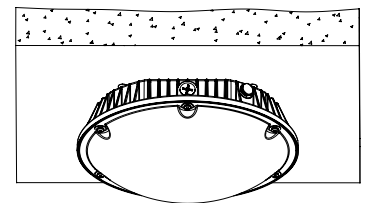
SURFACE MOUNTED WITH J-BOX



PENDANT MOUNTED WITH 3/4 CONDUIT ENTRY

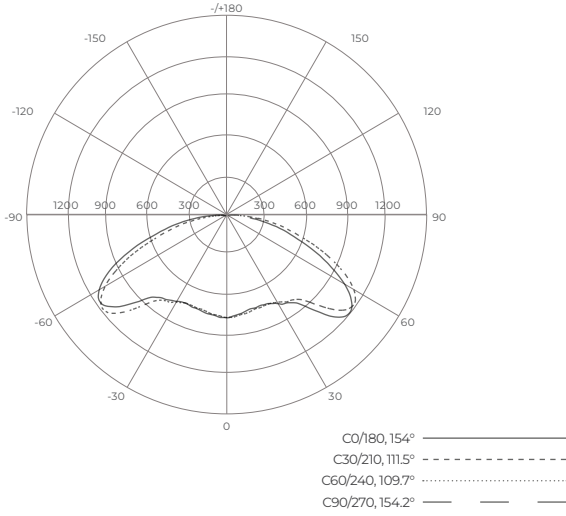


CEILING MOUNTED WITH SIDE WIRING



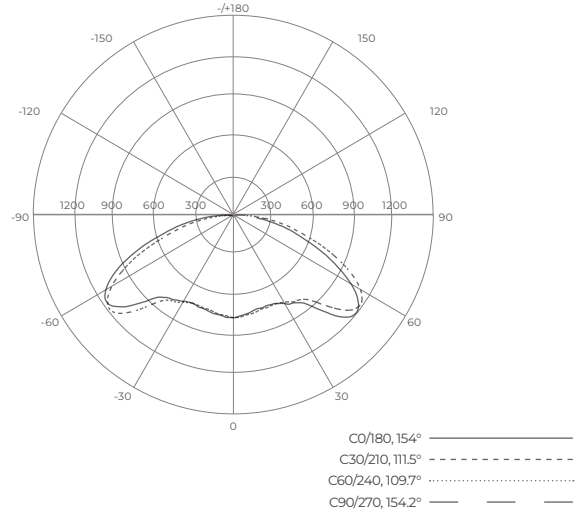
PHOTOMETRICS - 30W - 5000K

AVERAGE BEAM ANGLE (50%): 154.3°



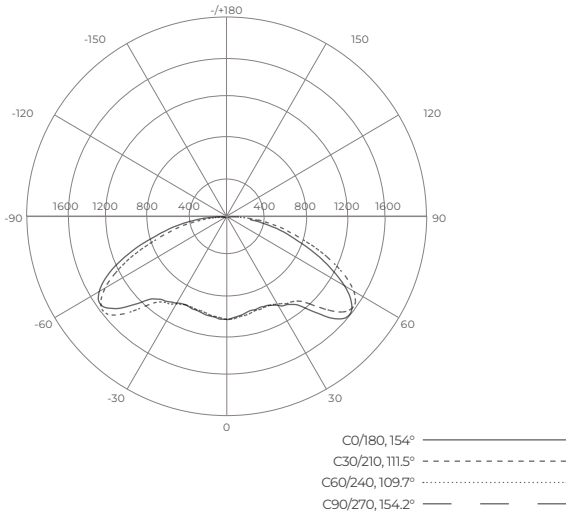
PHOTOMETRICS - 40W - 5000K

AVERAGE BEAM ANGLE (50%): 154.3°



PHOTOMETRICS - 60W - 5000K

AVERAGE BEAM ANGLE (50%): 154.3°



ADDITIONAL IMAGERY



MOTION SENSOR SETTINGS

By selecting the combination on the DIP switches, sensor data can be precisely set for each specific application.

ON ↑ [Switch Icon]		1	2	
	I	ON	ON	100%
	II	ON	-	75%
	III	-	ON	50%
	IV	-	-	10%

DETECTION AREA

Detection area can be reduced by selecting the combination on the DIP switches to fit precisely each application .

ON ↑ [Switch Icon]		3	4	5	
	I	ON	ON	ON	
	II	-	ON	ON	30s
	III	ON	-	ON	90s
	IV	-	-	ON	3min
	V	ON	ON	-	20min
	VI	-	-	-	30min

HOLD TIME

Refers to the time period the lamp remains at 100% illumination after no motion detected.

ON ↑ [Switch Icon]		6	7	8	
	I	ON	ON	ON	0s
	II	-	ON	ON	5s
	III	ON	-	ON	5min
	IV	-	-	ON	10min
	V	ON	ON	-	30min
	VI	-	ON	-	1h
	VII	-	-	-	+∞

STAND-BY PERIOD

Refers to the time period the lamp remains at a low light level before it completely switches off in the long absence of people. When set to "+∞" mode, the low light is maintained until motion is detected.

ON ↑ [Switch Icon]		1	2	3	4	
	I	-	-	ON	ON	2Lux
	II	-	-	-	ON	5Lux
	III	-	ON	ON	-	10Lux
	IV	-	-	ON	-	25Lux
	V	-	ON	-	-	50Lux
	VI	ON	-	-	-	100Lux
	VII	-	-	-	-	Disable

DAYLIGHT SENSOR

The sensor can be set to only allow the lamp to illuminate below a defined ambient brightness threshold. When set to Disable mode, the daylight sensor will switch on the lamp when motion is detected regardless of ambient light level. 50lux, 30lux: twilight operation, 10lux, 5lux: darkness operation only. Note that daylight sensor is active only when lamp totally switches off.

ON ↑ [Switch Icon]		5	6	
	I	ON	ON	50%
	II	-	ON	30%
	III	ON	-	20%
	IV	-	-	10%

STAND-BY DIMMING LEVEL

The low light level you would like to have after the hold time in the long absence of people.

