

PROJECT \_\_\_\_\_ DATE \_\_\_\_\_

COMMENTS \_\_\_\_\_



### ENERGY CHART

SIZE	DIAMETER inches	HEIGHT inches	WATTAGE	LUMENS	EFFICACY lm/w
4	5.5	3.3	15	1000	66.7
6	7.6	3.9	20	1500	75

### ORDERING LOGIC

EX: CRDR-4-27

FAMILY	SIZE	CCT
<b>CRDR</b>	<b>4</b> Fits 4"	<b>27</b> 2700K
	<b>6</b> Fits 5" / 6"	<b>30</b> 3000K
		<b>35</b> 3500K
		<b>40</b> 4000K
		<b>50</b> 5000K

### CRDR COMMERCIAL ROUND DOWNLIGHT RETROFIT LED

The CRDR series is ideal for retrofit applications where an existing housing is already installed. This high output recessed mount LED luminaire meets Energy Star efficiency standards.

- Residential
- Commercial
- Hospitality

### PHYSICAL

Mounting	Recessed
Finish	White

### PERFORMANCE

Warranty	5 years
Certifications	Damp Location, ETL, Energy Star
Rated Life	L70 50,000 hours
Operating Temperature	-40°C to 50°C (-40°F to 122°F)
CCT	2700K, 3000K, 3500K, 4000K, 5000K
CRI	90
Beam Angle	77°

### ELECTRICAL

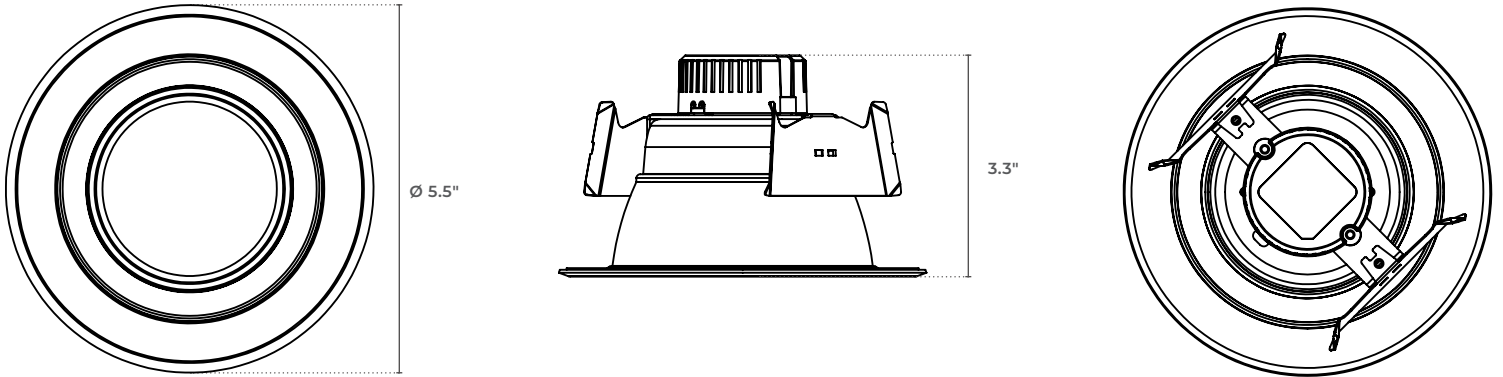
Wattage	15W, 20W
Voltage	120V
Dimmable	Dimmable with most Lutron and Leviton dimmers

### ADDITIONAL IMAGERY



**DIMENSIONS**

CRDR-4



CRDR-6

