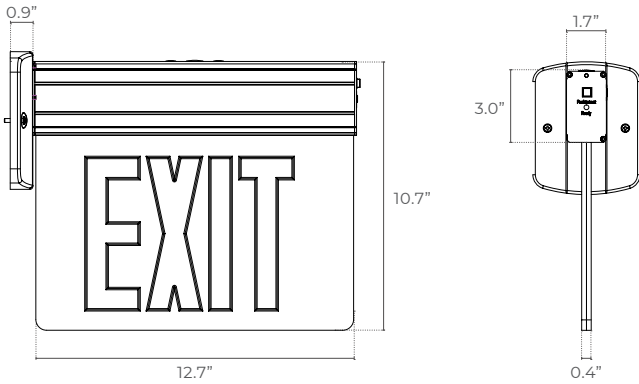


PROJECT _____ DATE _____

COMMENTS _____



ELE EDGE-LIT EXIT LED

The ELE Series is a single face, edge-lit exit sign that offers red or green LED face options complete with a test switch and recharge indicator. The ELE is easy to install and provides a maximum 24-hour full recharge time.

- Residential
- Commercial
- Hospitality

PHYSICAL

Material	Aluminum Housing with High Grade Acrylic Panel
Mounting	Universal Mounting (Top, Back, End)
Panel Finish	Clear, Mirror or White
Face Count	Single or Double
Letter Color	Green or Red

PERFORMANCE

Warranty	5 years
Certifications	Damp Location, UL, cULus, RoHS Compliant
Operating Temperature	0°C to 40°C (32°F to 104°F)

ELECTRICAL

Wattage	12W
Voltage	120V-277VAC
Battery	3.6V Nickel Cadmium 90-Minutes Emergency Operation

ORDERING LOGIC

EX: ELE-CL-S-G-AC

FAMILY	PANEL FINISH	FACE COUNT	LETTER COLOR	OPERATION
ELE				
	CL Clear	S Single	G Green	AC AC Only
	MR Mirror	D Double	R Red	EM Emergency (Nickel-Cadmium Battery)
	WH White			