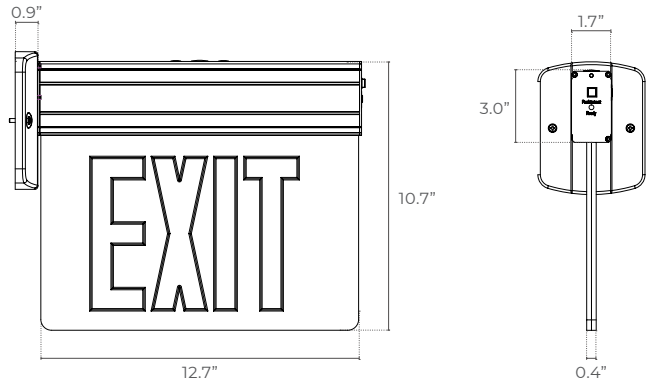


PROJECT \_\_\_\_\_ DATE \_\_\_\_\_

COMMENTS \_\_\_\_\_



## ELER EDGE-LIT EXIT RED LED

The ELER Series is a single or double face, edge-lit exit sign that offers red or green LED face options complete with a test switch and recharge indicator. The ELER is easy to install and provides a maximum 24-hour full recharge time.

- Residential
- Commercial
- Hospitality

### PHYSICAL

Material	Aluminum Housing with High Grade Acrylic Panel
Mounting	Universal Mounting (Top, Back, End)
Panel Finish	Clear, Mirror, White or Universal
Face Count	Single, Double or Universal
Letter Color	Red

### PERFORMANCE

Warranty	5 years
Certifications	UL, CUL, ROHS Compliant
Operating Temperature	0°C to 40°C (32°F to 104°F)

### ELECTRICAL

Voltage	120V-277VAC
Wattage	12W
Battery	3.6V Nickel Cadmium 90-Minutes Emergency Operation

### ORDERING LOGIC

EX: ELER-CL-S

FAMILY	PANEL FINISH	FACE COUNT	OPTIONS
<b>ELER</b>			
	<b>CL</b> Clear	<b>S</b> Single	<b>CC</b> Custom Configurations FOR ADDITIONAL OPTIONS CONTACT SALES@SAGELIGHTING
	<b>MR</b> Mirror	<b>D</b> Double	
	<b>WH</b> White	<b>UNV</b> Universal SINGLE / DOUBLE	
	<b>UNV</b> Universal CLEAR / MIRROR / WHITE		