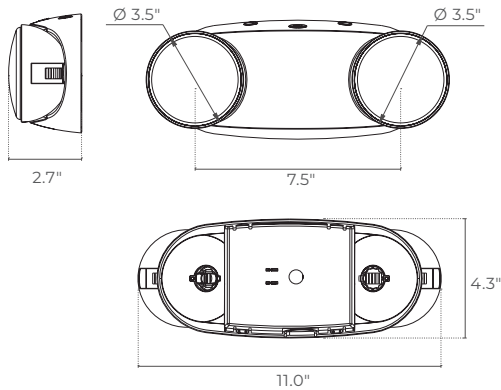


PROJECT _____ DATE _____

COMMENTS _____



IN STOCK



EMR2 EMERGENCY LIGHT ROUND HEADS LED

The EMR2 series is a 120/277V dual voltage or 120-277V universal voltage emergency light with two adjustable LED heads. EMR2 is UL 94V-0 flame rated, damp location listed and includes a test switch and charge indicator. The EMR2 is easy to install with its universal J-box mounting pattern and has a maximum 24-hour full recharge time. EMR2 can also be ordered with remote head capacity up to 2W.

- Hospitality
- Commercial
- Residential

PHYSICAL

| | |
|----------|--|
| Material | Injection-Molded Thermoplastic ABS Housing |
| Mounting | Universal J-Box Mounting Pattern |
| Source | LED |
| Finish | White |

PERFORMANCE

| | |
|-----------------------|--|
| Warranty | 5 years for fixture housing & 2 years for battery |
| Certifications | Damp Location, cULus, UL 94V-0 Flame Rating, CEC, DOE, FCC |
| IP Rating | IP40 |
| Operating Temperature | 32° to 104°F (0° to 40°C) |

ELECTRICAL

| | |
|---------|--|
| Voltage | 120/277VAC, 120-277V Universal Voltage |
| Wattage | 2W Standard, 2.4W with Remote Capacity |
| Battery | 3.6V Nickel Cadmium 90-Minutes Emergency Operation |

ORDERING LOGIC

EX: EMR2

| FAMILY | VOLTAGE | REMOTE CAPACITY <small>120/277V DUAL VOLTAGE ONLY</small> |
|-------------|---|--|
| EMR2 | (blank) 120/277V Dual Voltage UNV 120/277V Universal Voltage | (blank) No Remote Capacity RC Remote Capacity <small>UP TO 2W LOAD</small> |