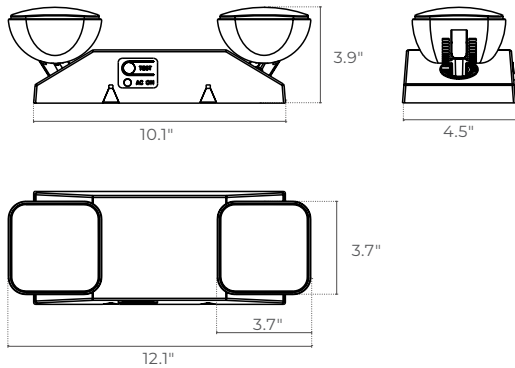


PROJECT \_\_\_\_\_ DATE \_\_\_\_\_

COMMENTS \_\_\_\_\_



## EMS EMERGENCY LIGHT SQUARE HEADS LED

The EMS series is a 120/277V dual voltage emergency light with two adjustable LED heads. EMS is UL 94V-0 flame rated, damp location listed and includes a test switch and charge indicator. The EMS is easy to install with its universal J-box mounting pattern and has a maximum 24-hour full recharge time. EMS can also be ordered with remote head capacity up to 3W.

- Hospitality
- Commercial
- Residential

### PHYSICAL

Material	Injection-Molded Thermoplastic ABS
Mounting	Universal J-Box Mounting Pattern
Source	LED
Finish	White

### PERFORMANCE

Warranty	5 years for fixture housing & 2 years for battery
Certifications	Damp Location, cULus, UL 94V-0 Flame Rating, CEC, DOE, FCC
IP Rating	IP40
Operating Temperature	32° to 104°F (0° to 40°C)

### ELECTRICAL

Voltage	120/277VAC Dual Voltage
Wattage	2.4W Standard, 3W with Remote Capacity
Battery	3.6V Nickel Cadmium 90-Minutes Emergency Operation

### ORDERING LOGIC

EX: EMS

FAMILY	REMOTE CAPACITY
EMS	(blank) No Remote Capacity
	RC Remote Capacity UP TO 3W LOAD