

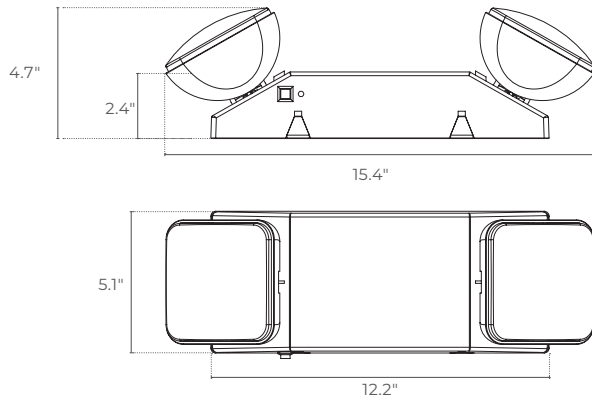
EMS-T EMERGENCY LIGHT SQUARE HEADS & TEST SWITCH LED

PROJECT _____ DATE _____

COMMENTS _____



IN STOCK



The EMS-T series is a 120/277V dual voltage emergency light with two adjustable LED heads. EMS-T is UL 94V-0 flame rated, damp location listed and includes a test switch and charge indicator. The EMS-T is easy to install with its universal J-box mounting pattern and has a maximum 24-hour full recharge time. EMS-T can also be ordered with remote head capacity up to 2W.

- Hospitality
- Commercial
- Residential

PHYSICAL

Material	Injection-Molded Thermoplastic ABS
Mounting	Universal J-Box Mounting Pattern
Lighting	LED
Finish	White

PERFORMANCE

Warranty	5 years for fixture housing & 2 years for battery
Certifications	Damp Location, cULus, UL 94V-0 Flame Rating, CEC, DOE, FCC
IP Rating	IP40
Operating Temperature	32° to 104°F (0° to 40°C)

ELECTRICAL

Voltage	120/277VAC Dual Voltage
Wattage	3.5W
Battery	3.6V Nickel Cadmium 90-Minutes Emergency Operation

ORDERING LOGIC

EX: EMS-T

FAMILY	REMOTE CAPACITY
EMS-T	(blank) No Remote Capacity
	RC Remote Capacity UP TO 2W LOAD