

PROJECT _____ DATE _____

COMMENTS _____



FBO FIRE RATED JUNCTION BOX OCTAGONAL

The FBO Series is a octagonal junction box that offers a two hour fire resistance to meet and exceed strict fire safety codes and rated for direct contact with IC insulation. Designed for surface mount ceiling light fixtures and ideal for areas with limited plenum space like closets and utility rooms.

- Hospitality
- Parking Garages
- Utility Rooms
- Corridors
- Closets

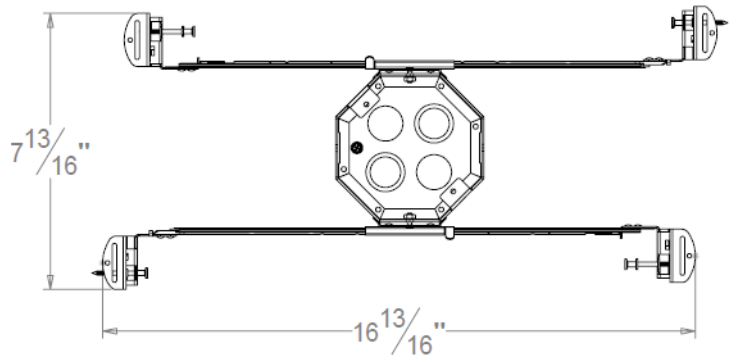
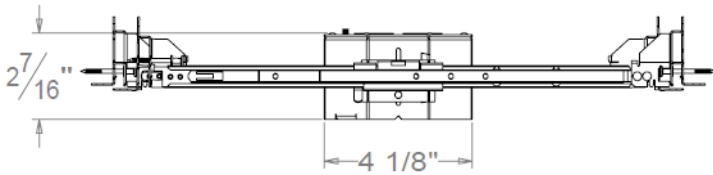


PHYSICAL

Housing Material	Die Formed 16 Gauge Galvanized Steel
Hanger Material	21 Gauge Adjustable
Mounting	New Construction
Finish	Black, Satin Nickel, White

PERFORMANCE

Warranty	3 years
Certifications	Damp Location, IC Rated, Title 24 Compliant, UL



ORDERING LOGIC

EX: FBO-NC-2H

FAMILY	CONSTRUCTION	FIRE RATING
FBO	NC	2H
	NC New Construction	2H 2 Hours