

PROJECT DATE

COMMENTS



FINCH-ES CEILING FAN E26 LED ENERGY STAR

Finch-ES is a 52-inch decorative modern brushed nickel ceiling fan that offers a single light with three plywood blades. It meets Energy Star efficiency standards.

- Residential
- Commercial
- Hospitality

PHYSICAL

Material	Metal
Blade Material	3 Plywood Blades
Mounting	Suspended
Fan Diameter	52"
Source	2x LED-E26 (Included)
Finish	Black, Brushed Nickel, White
Sloped Ceiling Accommodation	14°

PERFORMANCE

Warranty	2 years
Certification	Dry Location, UL
CCT	3000K
Dimmable	Yes
Features	Low Noise
Reversible	Yes

ELECTRICAL

Wattage	60W
Voltage	120V
Motor	DC Motor (155x12mm)
Controls	Pull Chain (Standard) or Combination Fan Speed Dimmer Wall Switch

ENERGY CHART

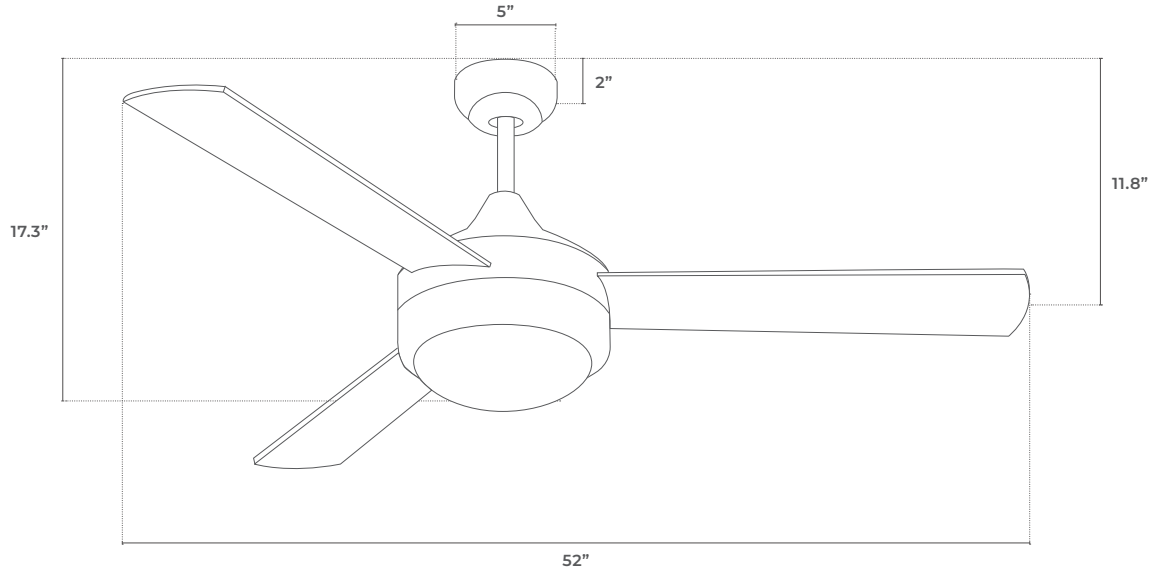
SPEED SETTING	LOW	MEDIUM	HIGH
RPM	98	155	200
Amps	0.2	0.3	0.5
Wattage	8.5	29	50
CFM	1500	2900	4200
CFM/Watts	176	100	84

ORDERING LOGIC

EX: FINCH-ES-BK

FAMILY	FINISH	CONTROL
FINCH-ES	<input type="text"/>	<input type="text"/>
	BK Black	(blank) Pull Chain (Standard)
	BN Brushed Nickel	WS Combination Fan Speed Dimmer Wall Switch
	WH White	

DIMENSIONS



ADDITIONAL IMAGERY

FINCH-ES-BK



FINCH-ES-BN-WS

