

PROJECT _____ DATE _____

COMMENTS _____



IN STOCK



ENERGY CHART

SPEED SETTING	LOW	MEDIUM	HIGH
RPM	98	155	200
Amps	0.2	0.3	0.5
Wattage	8.5	29	50
CFM	1500	2900	4200
CFM/Watts	176	100	84

FINCH CEILING FAN E26 LED

Finch is a 52-inch decorative modern brushed nickel ceiling fan that offers a single light with three plywood blades.

- Residential
- Commercial
- Hospitality

PHYSICAL

Material	Metal
Blade Material	3 Plywood Blades
Mounting	Suspended
Fan Diameter	52"
Source	2x LED-E26 (Included)
Finish	Black, Brushed Nickel, White
Sloped Ceiling Accommodation	14°

PERFORMANCE

Warranty	2 years
Certification	Dry Location, UL
CCT	3000K
Dimmable	Yes
Features	Low Noise
Reversible	Yes

ELECTRICAL

Wattage	60W
Voltage	120V
Motor	AC Motor
Controls	Pull Chain (Standard) or Combination Fan Speed Dimmer Wall Switch

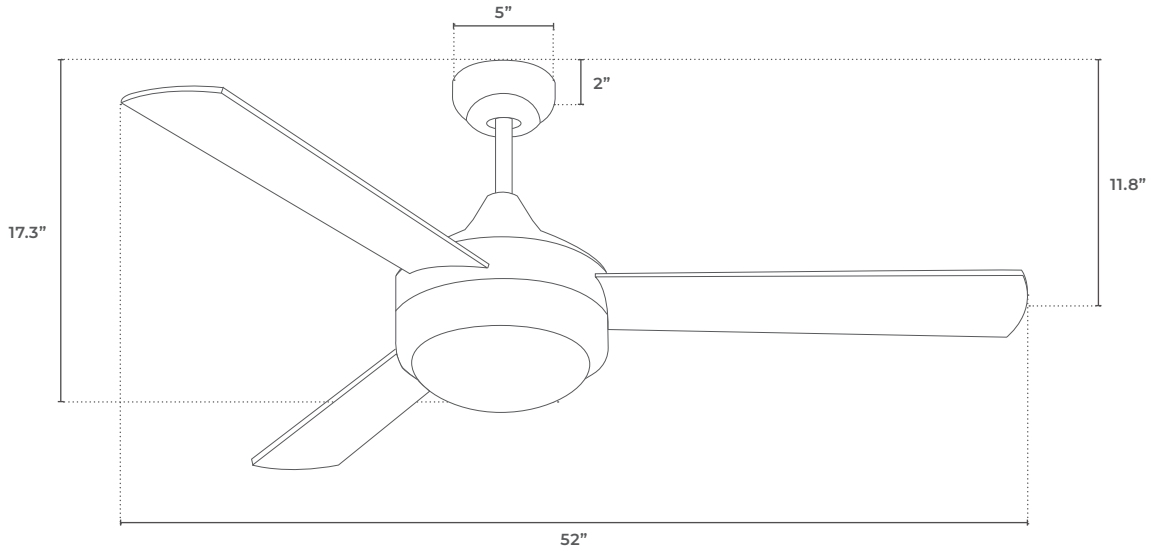
ORDERING LOGIC

EX: FINCH-BK

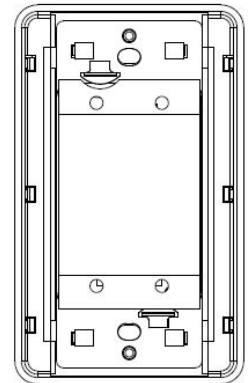
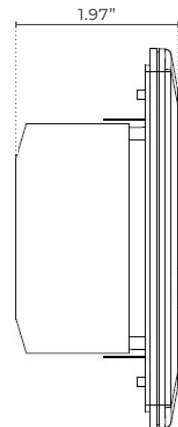
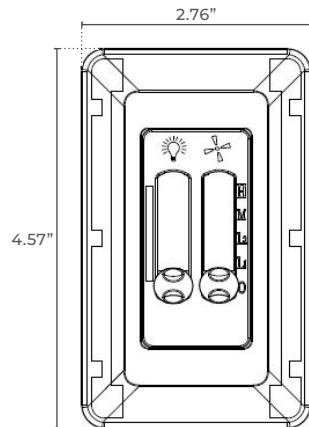
FAMILY	FINISH	CONTROL
FINCH		
	BK Black	(blank) Pull Chain (Standard)
	BN Brushed Nickel	WS Combination Fan Speed Dimmer Wall Switch
	WH White	



DIMENSIONS



WALL CONTROL



ADDITIONAL IMAGERY

FINCH-BK



FINCH-BN-WS

