



TERRAIN SITE LIGHTING

PROJECT DATE

COMMENTS



IN STOCK



ENERGY CHART

WATTAGE	HEIGHT inches	WIDTH inches	DELIVERED LUMENS	REPLACEMENT	EFFICACY lm/w
80	13.6	11.6	10400	160-240W MH/HPS	130
100	13.6	11.6	13000	200-300W MH/HPS	130
150	14.4	12.9	19500	300-450W MH/HPS	130
150	15.7	14.2	26000	450-600W MH/HPS	130

ORDERING LOGIC

EX: FL-QS-50-BK

FAMILY	WATTAGE	CCT	FINISH
FL-QS		50	BK
	80 80W	50 5000K	BK Black
	100 100W		
	150 150W		
	200 200W		

FL-QS FLOOD LIGHT LED QUICK SHIP

FL-QS is a wide beam LED flood light equipped with a die cast aluminum housing, tempered glass lens, and UV resistant powder coat finish that is anti-corrosion and anti-oxidation. FL-QS is a DLC certified flood light delivering 130 lumens per watt and replaces 200-600W metal halide or high pressure sodium fixtures.

- Pathway
- Underpasses
- Perimeter / Area Lighting

PHYSICAL

Material	Die-Cast Aluminum
Mounting	Yoke Bracket
Lens	Tempered Glass
Finish	Black

PERFORMANCE

Warranty	5 years
Certifications	DLC, cETLus
IP Rating	IP65
Rated Life	L80 50,000 hours
Operating Temperature	-20°C to 60°C (-4°F to 140°F)
CCT	5000K
CRI	72+
Beam Angle	120 degrees

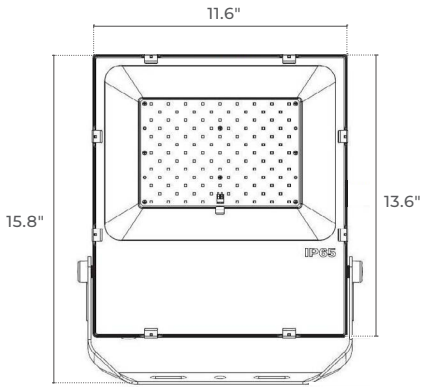
ELECTRICAL

Wattage	80, 100, 150, 200
Voltage	120-277V
Power Factor	> 0.9
Dimmable	No

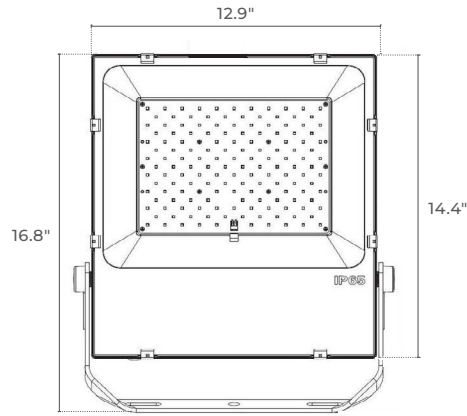


DIMENSIONS

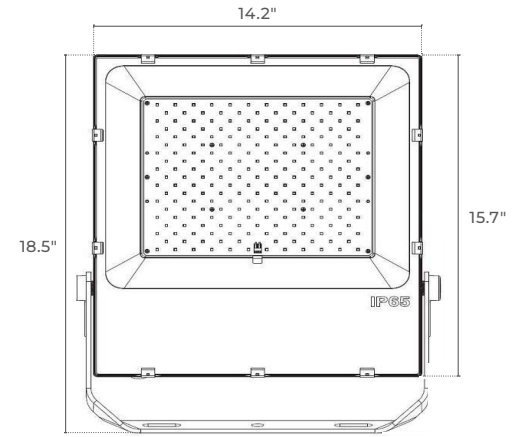
80W AND 100W OPTION



150W OPTION

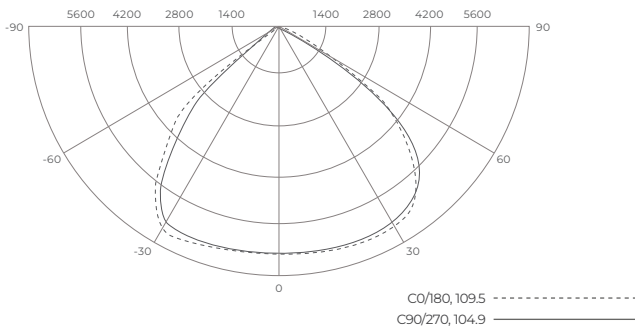


200W OPTION



PHOTOMETRICS

AVERAGE BEAM ANGLE (50%): 107.2°



PROJECTED LED LUMEN MAINTENANCE

Operating Hours	0	25000	50000
Lumen Maintenance Factor	1	0.91	0.8

