

PROJECT _____ DATE _____

COMMENTS _____



FLM-QS FLOOD LIGHT MEDIUM LED QUICK SHIP

FLM-QS is a CCT selectable, IP65 rated, DLC certified LED flood light with a soft and uniform 38-degree medium distribution. FLM-QS is easy to install and operate with an angle adjustable knuckle bracket. The beam is safe and comfortable with no UV or IR wavelengths present. The die cast aluminum housing and bronze powder coat are rust and corrosion proof and the fixture is equipped with a high quality polycarbonate lens. FLM-QS can replace 50-100W metal halide and high pressure sodium fixtures.

- Pathway
- Underpasses
- Perimeter / Area Lighting

PHYSICAL

Material	Die-Cast Aluminum
Mounting	Angle Adjustable Knuckle Bracket
Lens	Polycarbonate
Finish	Bronze Powder Coat
Source	Lumileds LEDs

PERFORMANCE

Warranty	5 years
Certifications	cULus, DLC
IP Rating	IP65
Rated Life	L70 50,000 hours
Operating Temperature	-40°C to 45°C (-40°F to 113°F)
CCT	Field Selectable: 3000K, 4000K, 5000K
CRI	72+
Beam Angle	38°, Medium Distribution

ELECTRICAL

Wattage	25W
Voltage	120-277V
Power Factor	> 0.9
Dimmable	0-10V

ENERGY CHART

CCT	HEIGHT inches	DIAMETER inches	DELIVERED LUMENS	WATTAGE	EFFICACY lm/w	VOLTAGE/ CURRENT INPUT	
						120V	277V
3000K	4.8	4.0	3125	25	125	0.2A	0.36A
4000K	4.8	4.0	3500	25	140	0.2A	0.36A
5000K	4.8	4.0	3375	25	135	0.2A	0.36A

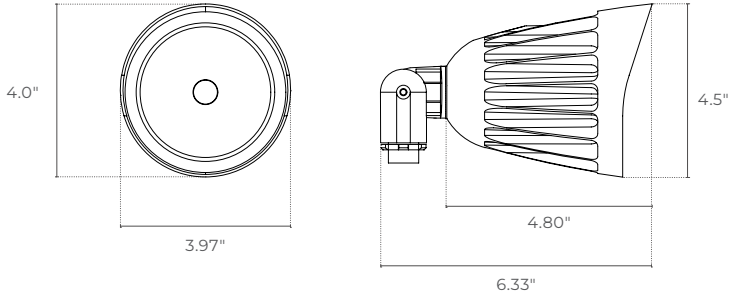
ORDERING LOGIC

EX: FLM-QS-BZ

FAMILY	FINISH
FLM-QS	BZ
	BZ Bronze

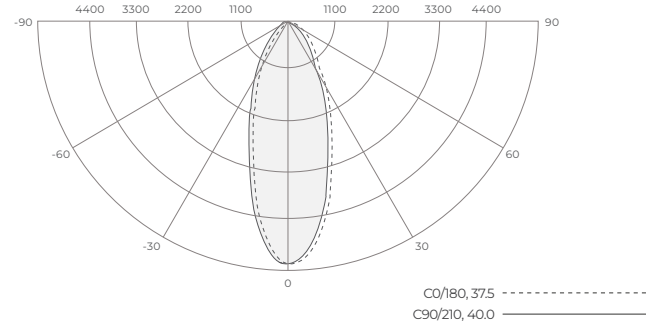


DIMENSIONS



PHOTOMETRICS - FLM-QS-25W

AVERAGE BEAM ANGLE (50%): 38°



MOUNTING METHODS

FIGURE 1

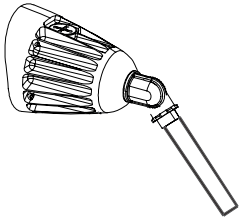


FIGURE 2

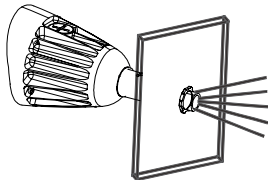


FIGURE 3

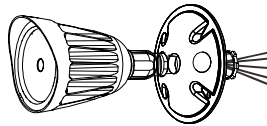


FIGURE 4

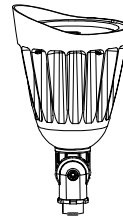
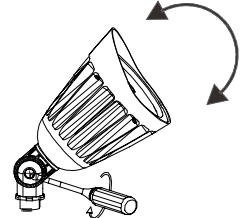


FIGURE 5



CCT SELECTABLE FUNCTIONALITY

FIGURE 1

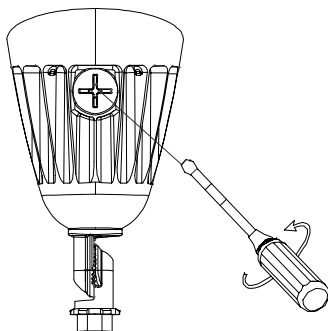


FIGURE 2

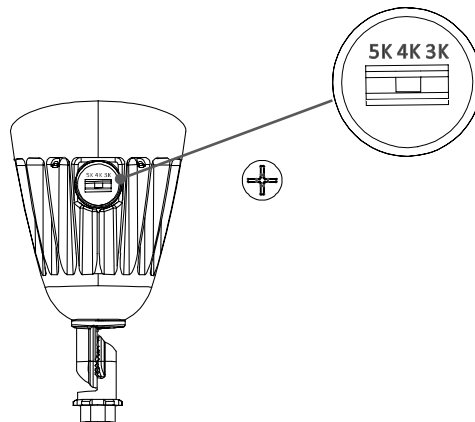


FIGURE 3

