



# ASCENT

## ARCHITECTURAL LIGHTING

PROJECT  DATE

COMMENTS



**PRODUCT COMING SOON**



### ENERGY CHART

TYPE	DIMENSIONS feet	LUMENS	WATTAGE selectable	EFFICACY lm/w
1	2 X 2	3300-4400	30 / 35 / 40	110
2	2 X 4	3300-5500	30 / 40 / 50	110

## FLOAT VISUAL COMFORT TROFFER LED

The Float recessed troffer offers a superior visual comfort optical system housed within a modern, architectural housing. High-performance edge-lit optics maximize energy savings and provide optimal uniform illumination.

- Commercial Office
- Classrooms
- Civic & Transportation

### PHYSICAL

Material	Extruded Aluminum
Mounting	Recessed
Lens	Direct/Indirect, Low Glare
Finish	Powder Coat White Finish
CCT	Field Selectable: 3000K, 3500K, 4000K
CRI	80+

### PERFORMANCE

Warranty	5 years
Certifications	Damp Location, CUL, DLC
Rated Life	50,000 hours
Operating Temperature	0°C to 50°C (32°F to 122°F)
THD	<20%

### ELECTRICAL

Wattage	Field Selectable, 30W, 35W, 40W, 50W
Voltage	110-277V, 110-347V
Power Factor	>0.9
LED Driver	Class 2 High Efficiency
Dimming	1-10V

### ORDERING LOGIC

EX: FLOAT-1-27

FAMILY	TYPE	VOLTAGE
FLOAT		
	1 2X2	27 110-277V
	2 2X4	34 110-347V



**SPECIFICATIONS**

**OPTICS**

It offers unique transparent optics to enhance the fixture aesthetic. Fully transparent optics provide uniform, low-glare illumination for a clean, modern, upgraded look, creating direct and indirect light distribution.

**CONSTRUCTION**

Extruded aluminum housing

**FINISH**

Powder coat white finish provides uniform finish providing long term performance and superior aesthetic.

**ELECTRICAL**

LED Driver: It is powered by Class 2 high efficiency LED driver, with a standard 1-10V driver which continuous dims to 10% that works with many types of controls. Tested Dimmers: Lutron® Diva-Dvtv, Leviton IP-710-DL.

THD: <20%

Power Factor: >0.9

Input Voltage: Standard electronic drivers are CUL recognized and available for 100-277V or 110-347V.

**WARRANTY**

5-year limited warranty

**WEIGHT**

2'X2': 12lbs / 5.4kg

2'X4': 20lbs / 9kg

**LED SYSTEM**

CRI: Minimum 80 color rendering index

CCT: CCT adjustable from 3000K, 3500K and 4000K with a great color consistency

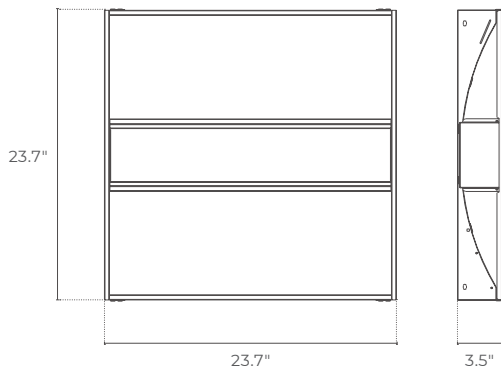
LED: Life Minimum 50,000h with 87.8% of lumen maintenance in 25°C ambient temperature, in compliance with IES LM-80 testing measurements.

Thermal Management: Aluminum housing acting as the heat sink to maximize life.

Environment: Damp location rated in operating ambient temperatures of 0°C to 50°C (32°F to 122°F).

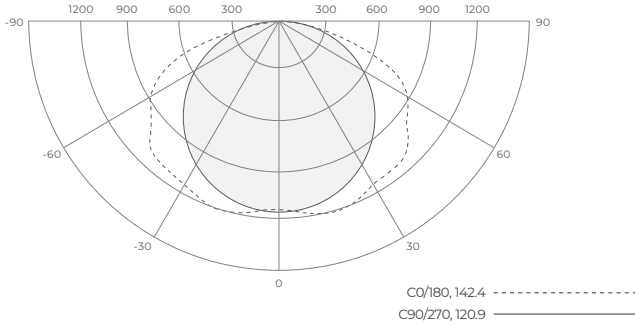
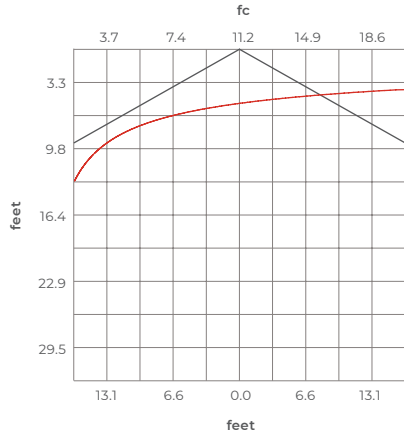
**DIMENSIONS**

2x2



2x4



**PHOTOMETRICS - 2X2-40W-3500K-120V**
**AVERAGE BEAM ANGLE (50%): 131.7°**

**Average Illuminance Curve**

**NOTE**

The curves indicate the illuminated area and the average illumination when the luminaire is at different distance.

**ZONAL FLUX DIAGRAM**

T	C0	C45	C90	C135	C180	C225	C270	C315
10°	1157	1135	1109	1132	1152	1130	1108	1134
20°	1173	1137	1056	1130	1168	1127	1053	133
30°	1124	1084	977.9	1075	1118	1073	974.1	1077
40°	1105	998.6	863.3	985.1	1090	982.9	858.5	985.8
50°	999.8	923.2	733.5	902.0	992.9	903.0	727.2	907.3
60°	883.4	772.7	570.2	758.8	868.6	755.3	564.6	757.3
70°	615.3	567.1	381.9	552.9	618.6	552.2	375.9	553.4
80°	191.9	213.5	168.0	217.0	190.9	206.2	161.3	206.0
90°	1.700	1.859	1.366	1.957	2.187	1.148	0.802	1.977

LUMINOUS INTENSITY: cd

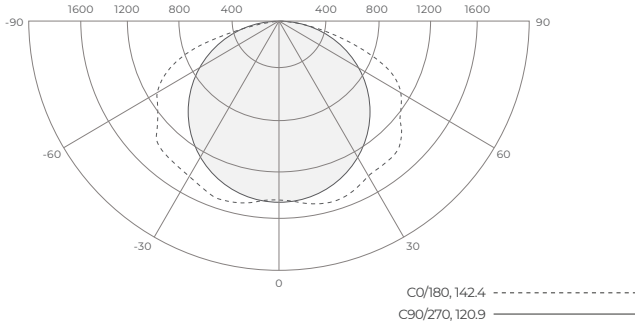
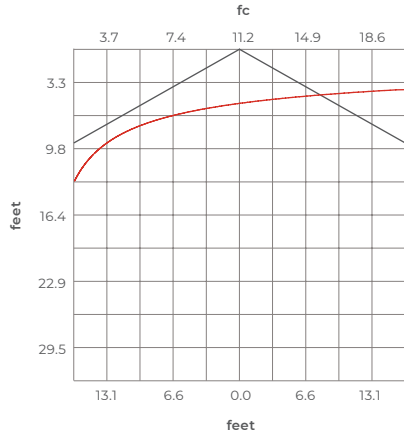
**ZONAL LUMEN SUMMARY**

T	φ ZONE	φ TOTAL	LUMEN/LAMP percentage
0-10	107.6	107.6	2.58 / 2.92
10-20	320.4	428.0	10.2 / 11.6
20-30	507.4	935.2	22.4 / 25.4
30-40	643.9	1579	37.8 / 42.8
40-50	730.7	2310	55.3 / 62.6
50-60	733.8	3044	72.9 / 82.5
60-70	641.9	3686	88.2 / 99.9
70-80	384.2	4070	97.4 / 110
80-90	94.62	4164	99.7 / 113

UNIT: lm

**COEFFICIENTS OF UTILIZATION**

ppc	80%			70%			50%			30%			10%			0
	50%	30%	10%	50%	30%	10%	50%	30%	10%	50%	30%	10%	50%	30%	10%	0
pw																
pfc																
RCR																
	RCR: Room Cavlty Ratio (CU)															
0.0	135	135	135	132	132	132	126	126	126	120	120	120	115	115	115	113
1.0	116	111	106	113	109	104	108	104	101	104	101	98	0	97	95	92
2.0	0	91	84	97	90	83	93	87	81	89	84	79	86	81	77	75
3.0	86	76	69	85	75	68	81	73	67	78	71	65	75	69	64	61
4.0	76	65	57	74	64	57	71	63	56	68	61	55	66	59	54	51
5.0	67	56	48	66	56	48	63	54	47	61	53	47	59	52	46	44
6.0	60	49	42	59	49	41	57	48	41	55	47	41	53	46	40	38
7.0	54	44	36	53	43	36	51	42	36	50	42	36	48	41	35	33
8.0	49	39	32	48	39	32	47	38	32	45	37	32	44	37	31	29
9.0	45	35	29	44	35	29	43	34	28	42	34	28	40	33	28	26
10.0	41	32	26	41	32	26	40	31	26	38	31	26	37	30	25	23

**PHOTOMETRICS - 2X4-50W-3500K-120V**
**AVERAGE BEAM ANGLE (50%): 131.7°**

**Average Illuminance Curve**

**NOTE**

The curves indicate the illuminated area and the average illumination when the luminaire is at different distance.

**ZONAL FLUX DIAGRAM**

T	C0	C45	C90	C135	C180	C225	C270	C315
10°	1476	1453	1419	1442	1467	1442	1418	1445
20°	1506	1462	1356	1431	1475	1437	1355	1446
30°	1475	1412	1264	1363	1415	1372	1261	1392
40°	1472	1332	1124	1261	1380	1274	1120	1304
50°	1334	1257	965.4	1162	1233	1179	960.5	1225
60°	1183	1052	764.1	969.1	1087	977.6	756.6	1025
70°	829.5	785.9	526.3	724.8	776.3	729.8	515.9	753.6
80°	233.4	277.8	238.8	270.1	223.4	252.2	228.0	265.5
90°	1.578	2.350	14.28	2.462	1.629	3.432	8.770	1.798

LUMINOUS INTENSITY: cd

**ZONAL LUMEN SUMMARY**

T	φ ZONE	φ TOTAL	LUMEN/LAMP percentage
0-10	137.5	137.5	2.52 / 3
10-20	409.0	546.5	10 / 11.9
20-30	650.3	1197	21.9 / 26.1
30-40	834.8	2032	37.2 / 44.3
40-50	955.1	2987	54.7 / 65.2
50-60	965.2	3952	72.4 / 86.3
60-70	854.8	4807	88 / 105
70-80	518.8	5325	97.5 / 116
80-90	123.0	5448	99.8 / 119

UNIT: lm

**COEFFICIENTS OF UTILIZATION**

ppc	80%			70%			50%			30%			10%			0
	50%	30%	10%	50%	30%	10%	50%	30%	10%	50%	30%	10%	50%	30%	10%	0
pw																0
pfc																0
RCR	RCR: Room Cavlty Ratio (CU)															
0.0	142	142	142	138	138	138	132	132	132	127	127	127	121	121	121	119
1.0	122	116	111	119	114	109	114	110	106	109	106	103	105	102	99	97
2.0	105	96	88	102	94	87	98	91	85	94	88	83	90	85	81	78
3.0	91	80	72	89	79	71	85	77	70	82	74	68	78	72	67	64
4.0	79	68	60	78	67	59	75	65	58	72	64	57	69	62	56	54
5.0	70	59	50	69	58	50	66	57	49	64	55	49	61	54	48	46
6.0	63	52	43	62	51	43	59	50	43	57	49	42	55	48	42	39
7.0	57	46	38	56	45	38	54	44	37	52	43	37	50	43	37	34
8.0	51	41	33	51	40	33	49	40	33	47	39	33	46	38	33	30
9.0	47	37	30	46	36	30	45	36	29	43	35	29	42	35	29	27
10.0	43	33	27	43	33	27	41	33	27	40	32	26	39	32	26	24