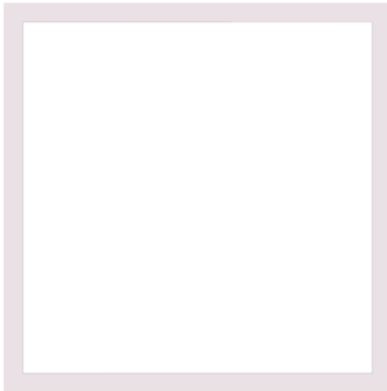


PROJECT DATE

COMMENTS



IN STOCK



ENERGY CHART

SIZE	HEIGHT feet	WIDTH feet	LUMENS	WATTAGE	EFFICACY lm/w
14	1	4	2600	25	130
	1	4	3900	30	130
	1	4	5000	40	130
22	2	2	2600	25	130
	2	2	3900	30	130
	2	2	5000	40	130
24	2	4	3900	30	130
	2	4	5000	40	130
	2	4	6250	50	130

ORDERING LOGIC

EX: FLT-14-R

FAMILY	SIZE	OPTIONS
FLT		
	14 1 x 4	54 IP54 Rated
	22 2 x 2	EM Emergency Backup: 90-Min.
	24 2 x 4	

NOTES

- * Default CCT setting is 3500K
- * Default wattage setting is the highest wattage option

FLT FLAT PANEL LED

The FLT Series LED flat panel offers DLC Premium high efficiency light output with a field selectable color temperature and wattage control.

- Surface & Suspended Mounting Available
- Available with IP54 Rating
- 1' X 4' / 2' X 2' / 2' X 4'

PHYSICAL

Mounting	Recessed, Surface, Suspended
CCT	Field Selectable: 3500K, 4000K, 5000K
CRI	80+

PERFORMANCE

Warranty	5 years
Certifications	ETL, DLC Premium
IP Rating	IP40, IP54
Rated Life	L70 50,000 hours
Operating Temperature	0°C to 40°C (32°F to 104°F)

ELECTRICAL

Wattage	25W, 30W, 40W, 50W
Voltage	120-277V
Dimmable	0-10V

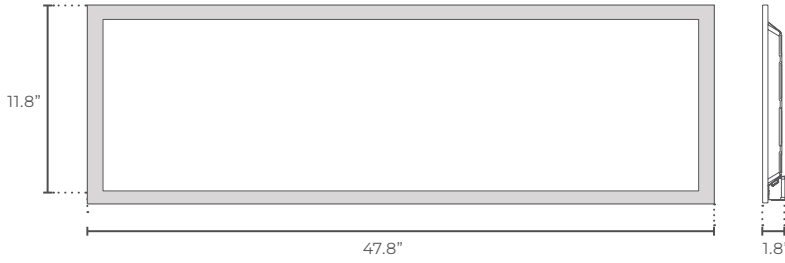
ACCESSORIES ORDERING LOGIC (ORDER SEPARATELY)

EX: FLT-SMK14

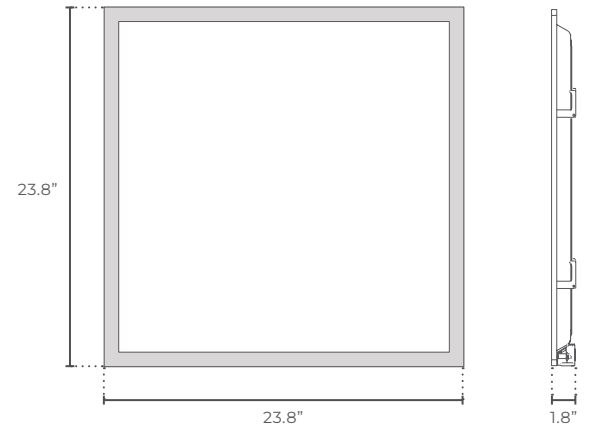
FAMILY	ACCESSORIES
FLT	
	SMK14 1X4 Surface Mount Kit
	SMK22 2X2 Surface Mount Kit
	SMK24 2X4 Surface Mount Kit
	CK14 1X4 Suspension Cable Kit
	CK22 2X2 Suspension Cable Kit
	CK24 2X4 Suspension Cable Kit

DIMENSIONS

1 X 4



2 X 2



2 X 4



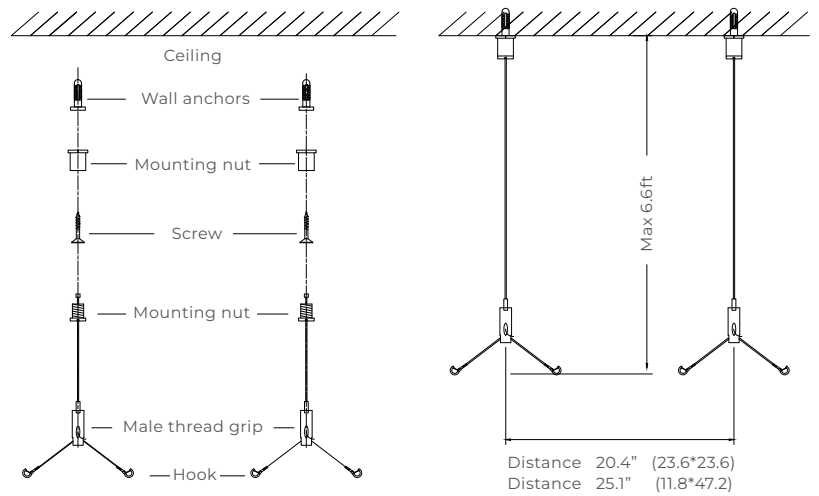
MOUNTING

Suspended Mount



- 2 Cables: **CK14** 1X4 Suspension Cable Kit
- 2 Cables: **CK22** 2X2 Suspension Cable Kit
- 3 Cables: **CK24** 2X4 Suspension Cable Kit

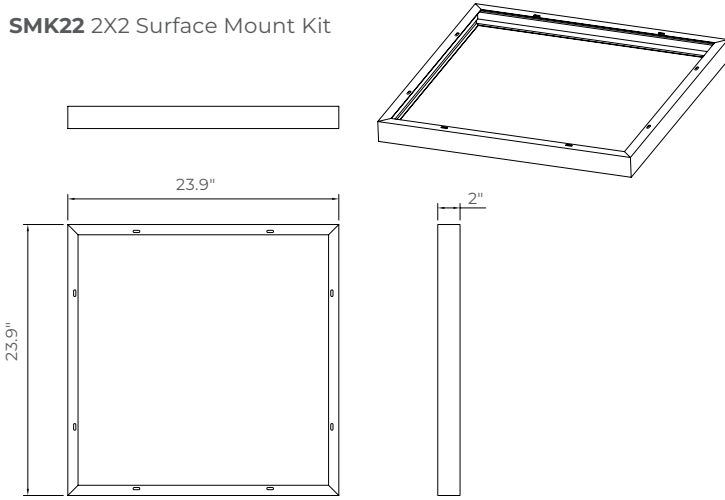
INSTRUCTION FOR MOUNTING ACCESSORIES - Y TYPE



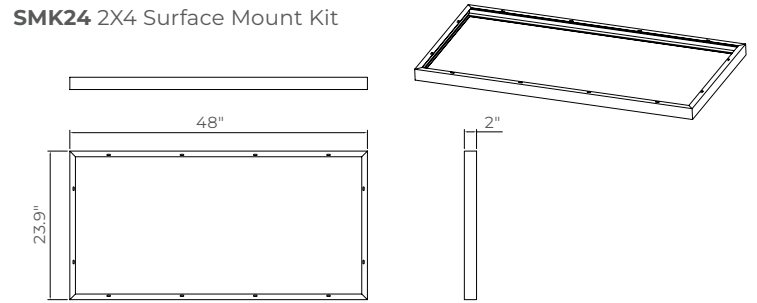
MOUNTING (CONTINUED)

Surface Mount

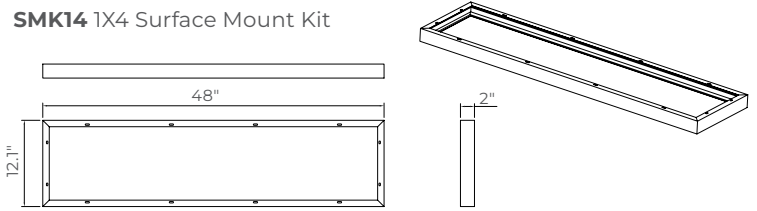
SMK22 2X2 Surface Mount Kit



SMK24 2X4 Surface Mount Kit



SMK14 1X4 Surface Mount Kit



SURFACE MOUNTING KIT ACCESSORIES

