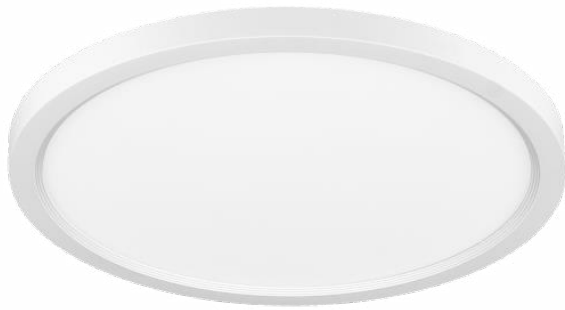


PROJECT _____ DATE _____

COMMENTS _____



ENERGY CHART

SIZE	DIAMETER inches	HEIGHT inches	LUMENS direct light	WATTAGE	EFFICACY lm/w
12	11.8	0.9	2160	24	90
16	15.8	0.9	3200	32	100

ORDERING LOGIC EX: FMC-12-30

FAMILY	SIZE	CCT Custom Colors Available - Consult Factory
FMC		
	12 11.8"	FS5 Field Selectable 2700K / 3000K / 3500K / 4000K / 5000K
	16 15.8"	FS5+AM Field Selectable + Amber FS Direct Light + Amber 2000K Indirect Light
		FS5+IB Field Selectable + Ice Blue Direct Light + Ice Blue Indirect Light
		FS5+LP Field Selectable + Love Pink Direct Light + Love Pink Indirect Light

FMC FLUSH MOUNT CEILING LED

The FMC Series is a low-profile, high output surface mount LED luminaire. The FMC is available with a single CCT or field selectable 5CCT direct light. FMC can also be ordered with an indirect mood/night light that is available in three standard colors or it can be customized for project needs.

- Residential
- Commercial
- Hospitality

PHYSICAL

Material	Plastic
Mounting	Surface
Lens	Polycarbonate Diffuser
Finish	White
CCT	Direct Light: Single CCT or Field Selectable 5CCT Indirect Light (Optional): Amber 2000K, Ice Blue, Love Pink, Custom Color
CRI	80+
Beam Angle	120°

PERFORMANCE

Warranty	5 years
Certifications	IP50 Rated, VO Fire Rating, CETL, FCC
Rated Life	L70 50,000 hours

ELECTRICAL

Wattage	24W, 32W
Voltage	120V
Power Factor	>0.80
Dimmable	10% - 100% Triac Dimming

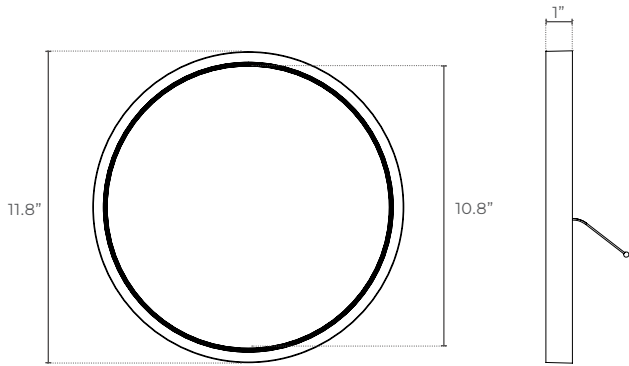
ACCESSORIES ORDERING LOGIC EX: FMC-JB (ORDER SEPARATELY)

FAMILY	ACCESSORIES
FMC	
	PMK Pendant Mount Kit Height: 80 inches
	SFMK Semi-Flush Mount Kit Height: 9 inches

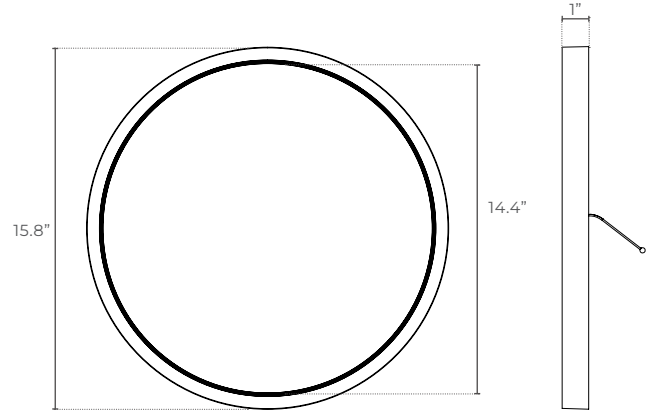


DIRECT LIGHT ONLY DIMENSIONS

24W

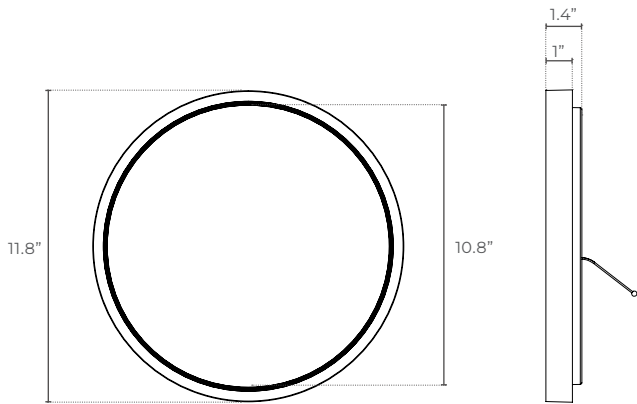


32W



DIRECT & INDIRECT LIGHT DIMENSIONS

24W



32W

