

PROJECT \_\_\_\_\_ DATE \_\_\_\_\_

COMMENTS \_\_\_\_\_



### ENERGY CHART

| SIZE | DIAMETER<br>inches | LUMENS | WATTAGE | EFFICACY<br>lm/w |
|------|--------------------|--------|---------|------------------|
| 4    | 4.9                | 900    | 9       | 100              |

## G4W GIMBAL 4" WET LED

The G4W Series offers a low-profile, high output recessed mount LED luminaire that meets Energy Star's efficiency standards.

- Residential
- Commercial
- Hospitality

### PHYSICAL

|               |   |
|---------------|---|
| Material      | Aluminum  |
| Mounting      | Recessed  |
| Lens          | PMMA  |
| Finish        | Black, White  |
| CCT           | Single CCT, Field Selectable 3CCT:<br>2700K, 3000K, 3500K, 4000K, 5000K |
| CRI           | 80+   |
| Adjustability | 90° Tilt / 360° Rotation  |
| Beam Angle    | 36°   |

### PERFORMANCE

|                       |   |
|-----------------------|---|
| Warranty              | 5 years   |
| Certifications        | Wet Location, IC Rated, ETL, Energy Star, FCC, ROHS Compliant |
| Rated Life            | L70 54,000 hours  |
| Operating Temperature | -40°C to 49°C (0°F to 120°F)                                  |

### ELECTRICAL

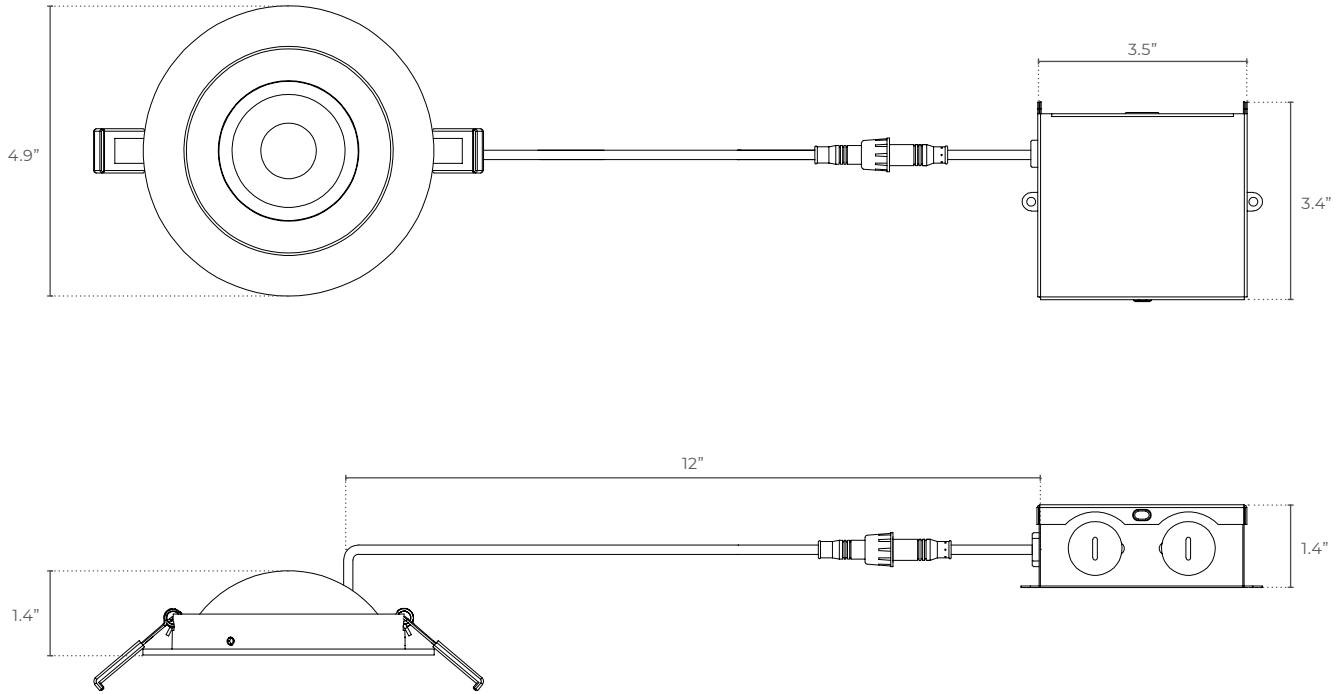
|              |               |
|--------------|---------------|
| Wattage      | 9W            |
| Voltage      | 120V          |
| Power Factor | >0.90         |
| Dimmable     | Triac Dimming |

### ORDERING LOGIC

EX: G4W-27-BK

| FAMILY     | CCT                                       | FINISH          | OPTIONS  |
|------------|---|-----------------|--|
| <b>G4W</b> |   |                 |  |
| <b>27</b>  | 2700K                                     | <b>BK</b> Black | <b>CC</b> Custom Configurations<br>FOR ADDITIONAL OPTIONS CONTACT SALES@SAGELIGHTING |
| <b>30</b>  | 3000K                                     | <b>WH</b> White |  |
| <b>35</b>  | 3500K                                     |                 |  |
| <b>40</b>  | 4000K                                     |                 |  |
| <b>50</b>  | 5000K                                     |                 |  |
| <b>FS3</b> | Field Selectable<br>3000K / 4000K / 5000K |                 |  |

**DIMENSIONS**



**PHOTOMETRICS**

**Beam Angle: 36°**

