



ASCENT

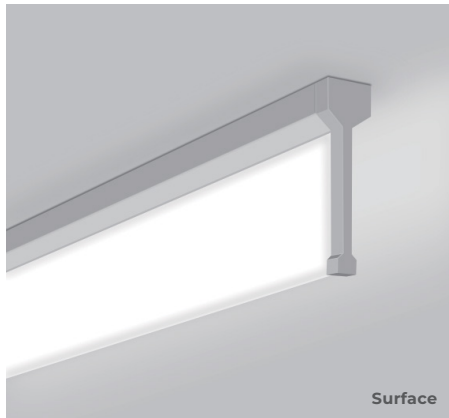
ARCHITECTURAL LIGHTING

PROJECT _____ DATE _____

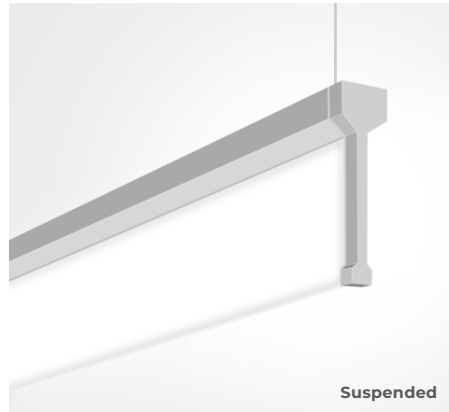
COMMENTS _____



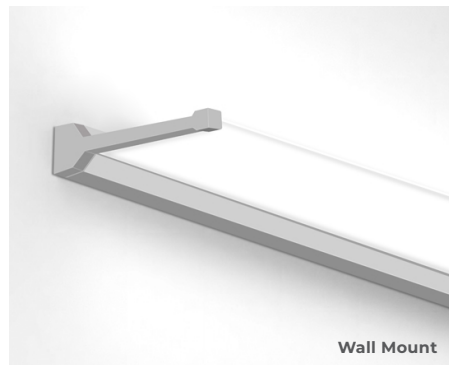
IN STOCK



Surface



Suspended



Wall Mount

GLACIER AMBIENT EDGE-LIT ARCHITECTURAL LINEAR LED

Glacier Ambient is an attractive architectural linear luminaire utilizing ultra-thin semi-transparent optics within a signature sloping silhouette where the frame meets the lightguide. Advanced precision optics deliver visually comfortable illumination and superior light uniformity. Glacier Ambient is available in three lengths for surface, suspended, or wall mounting with field selectable CCT and field selectable wattage.

- Commercial Office
- Classrooms
- Civic & Transportation

PHYSICAL

Material	Extruded Aluminum
Mounting	Surface, Suspended, and Wall Mount
Finish	Powder Coat White

PERFORMANCE

Warranty	5 years
Certifications	Damp Location, cULus
Rated Life	50,000 hours
CCT	Field Selectable: 3000K, 3500K, 4000K
CRI	90+
THD	<20%

ELECTRICAL

Wattage	Field Selectable
Voltage	100-277V
Power Factor	>0.9
LED Driver	Class 2 High Efficiency
Dimming	1-10V

ENERGY CHART

(3000K)

SIZE	LENGTH feet	DELIVERED LUMENS	WATTAGE	EFFICACY lm/w
2	2	2000	20	100
3	3	3900	39	100
		3000	30	100
		1950	19.5	100
4	4	4000	40	100
		3000	30	100
		2000	20	100



SURFACE MOUNT ORDERING LOGIC

EX: GLACIER-A-SM-2

FAMILY	MOUNTING	SIZE
GLACIER-A	SM Surface	2 2'
		3 3'
		4 4'

SUSPENDED MOUNT ORDERING LOGIC

EX: GLACIER-A-SP-2-F

FAMILY	MOUNTING	SIZE	CEILING TYPE
GLACIER-A	SP Suspended	2 2'	F 9/16" or 15/16" Flat
		3 3'	S 9/16" Slot
		4 4'	D Drywall

WALL MOUNT ORDERING LOGIC

EX: GLACIER-A-WM-2

FAMILY	MOUNTING	SIZE
GLACIER-A	WM Wall Mount	2 2'
		3 3'
		4 4'

ACCESSORIES (ORDER SEPARATELY)

EX: GLACIER-A-EM

FAMILY	ACCESSORIES
GLACIER-A	EM 8W Emergency Battery



SPECIFICATIONS

OPTICS

Ultra-thin semi-transparent optics enveloped in a signature sloping silhouette where the frame meets the optics.

CONSTRUCTION

Extruded aluminum housing

FINISH

Powder coat white finish

ELECTRICAL

LED Driver: Class 2 high efficiency LED driver with 1-10V continuous dimming to 10% that works with many types of controls. Compatible with the following types of controls:

- Leviton IP710-DL
- Leviton IP710-LF
- Lutron PowPak 0-10V Dimming
- Lutron Diva-Dvtv
- Hubbell NX Distributed Room Control
- Cooper Greengate Room Controller
- nLight nPPI6D
- Wattstopper DLM

THD: <20%

Power Factor: >0.9

Input Voltage: 100-277V

LED SYSTEM

CRI: Minimum 90 color rendering index

CCT: Field selectable CCT by dip switch includes 3000K, 3500K, and 4000K

LED: Rated life is 50,000h with 87.8% of lumen maintenance in 25°C ambient temperature, in compliance with IES LM-80 testing measurements.

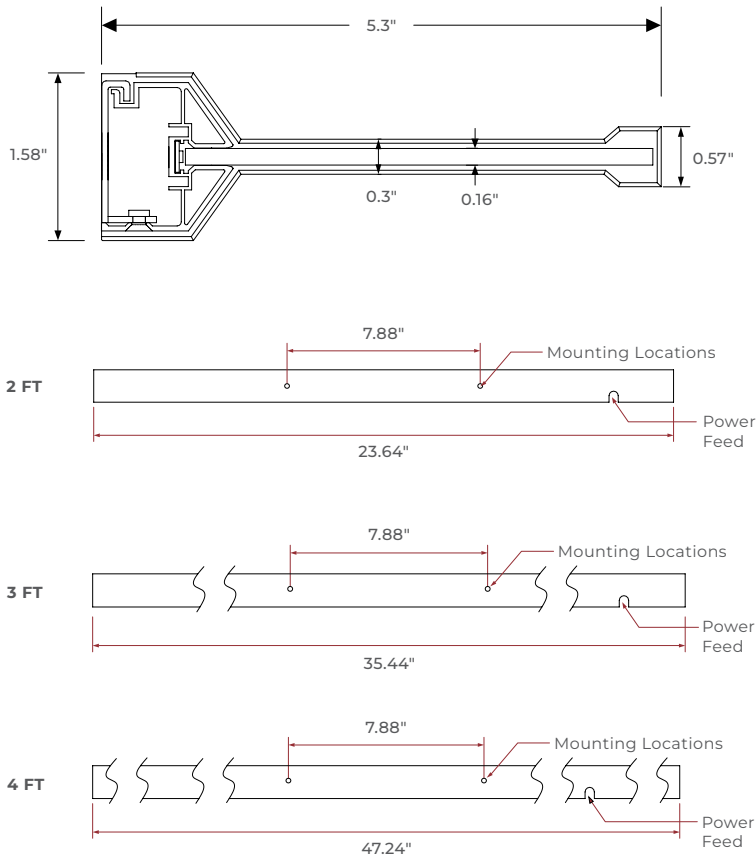
APPROVALS

- cULus listed
- Suitable for damp locations
- Designed for indoor use only
- 5 years limited warranty

OPTIONAL FUNCTION

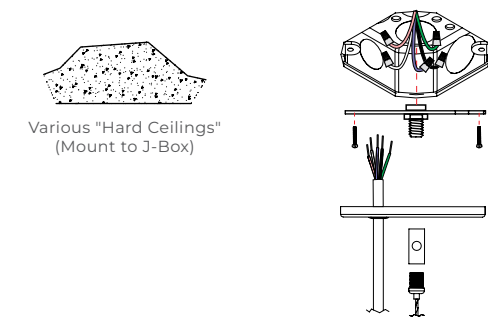
Emergency Option: Optional 8W emergency LED driver can be provided. When AC power fails, it immediately switches to the emergency mode, operating for up to 120 minutes. When AC power is restored, it automatically returns to the charging mode which meets critical life-safety lighting requirements.

DIMENSIONS

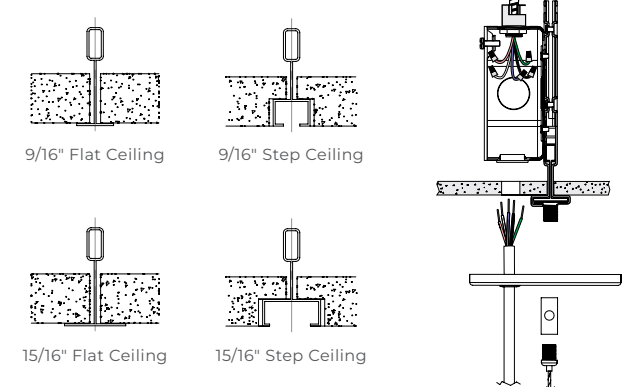


MOUNTING

DRYWALL CEILING / OFF GRID

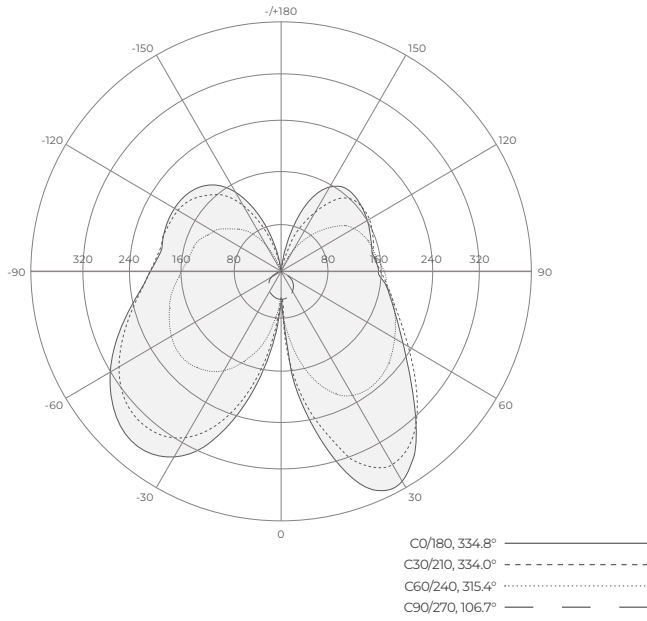


DROP CEILING / ON GRID



PHOTOMETRICS - 2'-20W-3000K

AVERAGE BEAM ANGLE (50%): 272.7°


ZONAL FLUX DIAGRAM

T	C0	C45	C90	C135	C180
10	228.8	168.3	43.49	123.0	158.8
20	360.2	265.2	40.94	200.0	272.3
30	388.4	308.0	36.65	255.2	341.6
40	339.1	301.7	30.89	280.5	363.8
50	275.2	270.9	24.29	282.3	349.8
60	226.3	238.1	17.69	267.9	316.1
70	194.3	209.7	11.62	245.0	275.6
80	175.6	187.6	6.372	219.2	236.4
90	156.9	169.0	2.588	200.0	212.8
100	151.8	162.6	0.7929	186.9	198.0
110	154.7	163.9	0.5908	183.0	200.0
120	159.5	162.4	0.6223	174.2	200.7
130	166.7	152.0	0.6474	158.9	197.1
140	171.3	122.8	0.6990	135.9	183.2
150	157.8	80.97	0.6868	101.4	151.5
160	111.6	37.19	0.7029	51.57	82.05
170	12.75	0.6792	0.6310	1.045	12.53
180	0.5411	0.5749	0.5366	0.5456	0.5727
DEG	LUMINOUS INTENSITY: cd				

ZONAL LUMENS

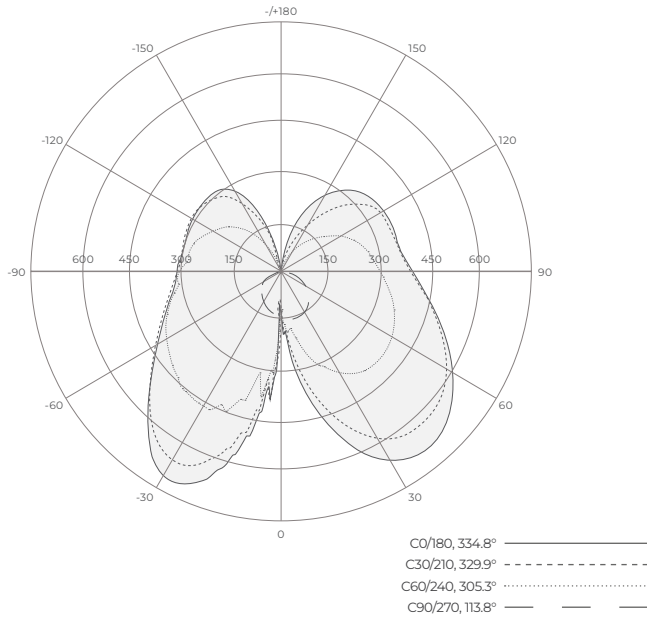
T	φ TOTAL
0-10	9.762
10-20	60.81
20-30	170.1
30-40	329.4
40-50	518.1
50-60	717.5
60-70	915.1
70-80	1102
80-90	1275
90-100	1435
100-110	1584
110-120	1721
120-130	1838
130-140	1930
140-150	1991
150-160	2021
160-170	2028
170-180	2028
DEG	UNIT: lm

LUMINANCE cd/(m2)

G(DEG)	C0/180	C90/270
85	16702	413
80	8872	322
75	6236	302
70	4985	298
65	4322	302
60	3970	310
55	3790	320
50	3756	331
45	3776	343

PHOTOMETRICS - 3'-40W-3000K

AVERAGE BEAM ANGLE (50%): 271.0°


ZONAL FLUX DIAGRAM

T	C0	C45	C90	C135	C180
10	333.5	231.0	144.3	389.6	455.4
20	525.5	374.4	144.4	537.3	657.5
30	645.2	473.5	139.7	583.0	696.0
40	682.5	523.2	127.0	557.5	616.6
50	654.7	527.6	102.6	495.6	507.6
60	590.9	502.5	82.54	434.1	422.8
70	514.9	457.9	52.98	383.0	366.8
80	448.2	411.7	27.22	338.2	331.1
90	394.5	368.1	10.41	318.0	309.2
100	364.6	338.9	3.873	305.4	301.0
110	359.5	325.4	2.263	309.9	302.3
120	358.6	299.7	2.092	305.6	307.4
130	349.1	241.9	1.321	291.2	313.0
140	321.0	180.2	1.461	258.5	312.7
150	265.6	118.5	1.452	194.4	279.9
160	173.8	59.48	1.438	107.9	185.7
170	22.43	1.916	1.677	2.601	27.29
180	1.163	1.276	1.448	1.524	1.181
DEG	LUMINOUS INTENSITY: cd				

ZONAL LUMENS

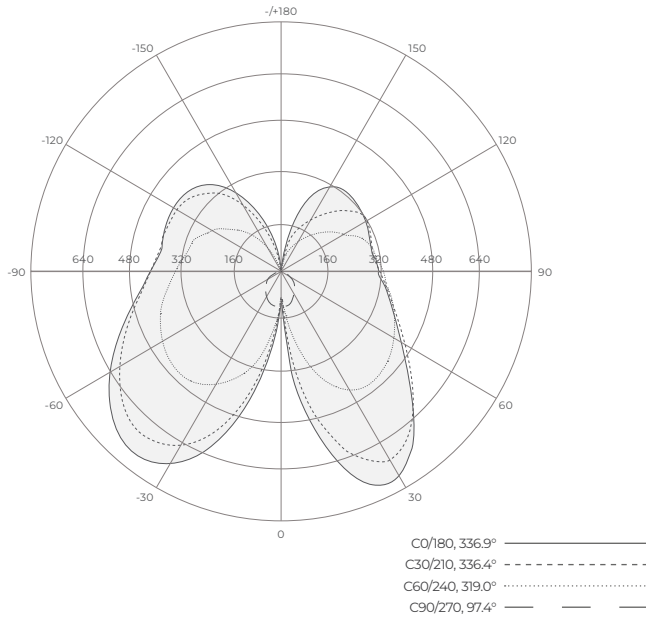
T	Φ TOTAL
0-10	24.08
10-20	129.5
20-30	342.1
30-40	645.6
40-50	1004
50-60	1384
60-70	1758
70-80	2112
80-90	2437
90-100	2736
100-110	3008
110-120	3255
120-130	3463
130-140	3622
140-150	3726
150-160	3778
160-170	3791
170-180	3791
	UNIT: lm

LUMINANCE cd/(m2)

G(DEG)	C0/180	C90/270
85	27573	1198
80	14833	901
75	10675	864
70	8652	890
65	7506	933
60	6793	949
55	6271	928
50	5854	917
45	5483	940

PHOTOMETRICS - 4'-40W-3000K

AVERAGE BEAM ANGLE (50%): 272.4°


ZONAL FLUX DIAGRAM

T	C0	C45	C90	C135	C180
10	443.0	290.7	109.8	292.8	330.5
20	700.6	493.9	100.0	448.8	569.0
30	755.7	595.9	86.62	551.8	711.5
40	660.5	591.5	70.30	592.0	748.0
50	536.5	533.1	53.46	581.7	707.5
60	442.9	467.4	37.41	541.0	629.4
70	382.5	411.2	23.03	488.9	544.0
80	344.3	365.8	10.38	434.2	466.3
90	312.2	332.9	1.705	395.4	417.6
100	301.9	317.4	1.529	373.1	392.1
110	306.3	317.8	1.502	364.6	395.9
120	316.0	298.9	1.560	347.6	400.1
130	329.3	253.5	1.601	316.1	394.9
140	338.5	209.6	1.650	263.3	367.8
150	315.5	156.1	1.646	183.9	290.1
160	228.3	103.0	1.587	89.29	186.5
170	32.66	7.607	1.443	3.554	26.60
180	1.348	1.567	1.511	1.533	1.375

ZONAL LUMENS

T	Φ TOTAL
0-10	19.13
10-20	120.3
20-30	339.9
30-40	661.5
40-50	1042
50-60	1442
60-70	1837
70-80	2210
80-90	2554
90-100	2873
100-110	3169
110-120	3437
120-130	3662
130-140	3836
140-150	3952
150-160	4011
160-170	4026
170-180	4027

DEG LUMINOUS INTENSITY: cd

UNIT: lm

LUMINANCE cd/(m2)

G(DEG)	C0/180	C90/270
85	16095	261
80	8474	255
75	5967	273
70	4779	288
65	4132	303
60	3786	320
55	3605	338
50	3567	355
45	3593	375