



# DUNTON HOUSE

## DECORATIVE LIGHTING

### GRACE VANITY LED

PROJECT  DATE

COMMENTS



**IN STOCK**

#### PHYSICAL

Material	Steel
Mounting	Wall Mount
Lens	PMMA
Finish	Black, Brushed Nickel, White

#### PERFORMANCE

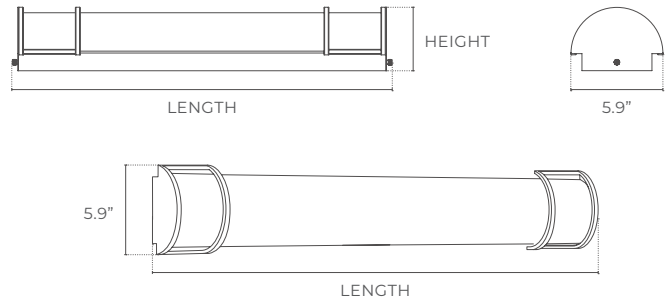
Warranty	5 years
Certifications	Damp Location, ETL, cETL, Energy Star, FCC
CCT	Field Selectable 3CCT: 2700K, 3000K, 3500K
CRI	90+

#### ELECTRICAL

Wattage	25W, 30W, 35W
Voltage	120V
Power Factor	>0.95
Dimmable	100% - 10% Triac Dimming



#### DIMENSIONS



#### ENERGY CHART

SIZE	LENGTH inches	HEIGHT inches	DELIVERED LUMENS	WATTAGE	EFFICACY lm/w
24	24	5.9	2000	25	80
36	36	5.9	2500	30	83.3
48	48	5.9	3000	35	85.7

#### NOTES

Usage	Indoor Only
-------	-------------

#### ORDERING LOGIC

EX: GRACE-24-BK

FAMILY	SIZE	FINISH
<b>GRACE</b>		
	<b>24</b> 24"	<b>BK</b> Black
	<b>36</b> 36"	<b>BN</b> Brushed Nickel
	<b>48</b> 48"	<b>WH</b> White