



DUNTON HOUSE

DECORATIVE LIGHTING

HALO WALL SCONCE LED

PROJECT DATE

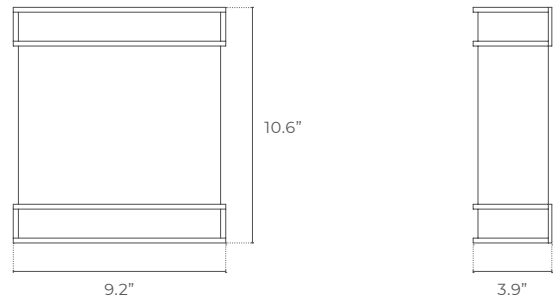
COMMENTS



PHYSICAL

Material	Stainless Steel
Mounting	Surface
Lens	PMMA
Finish	Brushed Nickel
Source	LED
CRI	>80
CCT	2700K, 3000K, 3500K, 4000K, 5000K

DIMENSIONS



PERFORMANCE

Warranty	3 year
Certification	ADA Compliant, UL, CUL

ENERGY CHART

DELIVERED LUMENS	WATTAGE	EFFICACY lm/w
1000	17	58.8

ELECTRICAL

Wattage	17W
Voltage	120V
Power Supply	DOB: Driver on Board
Power Factor	>0.9
Dimmable	10%-100% Triac Dimming

ORDERING LOGIC

EX: HALO-27

FAMILY	CCT
HALO	
	27 2700K
	30 3000K
	35 3500K
	40 4000K
	50 5000K