

PROJECT _____ DATE _____

COMMENTS _____



DISCONTINUED



ENERGY CHART

SIZE	HEIGHT inches	WIDTH inches	LUMENS	WATTAGE	EFFICACY lm/w
2	2.7	23.8	10400	80	130
	2.7	23.8	13000	100	130
	2.7	23.8	18200	140	130
	2.7	23.8	21450	165	130
4	2.7	45.9	21450	165	130
	2.7	45.9	29250	225	130
	2.7	45.9	41600	325	130

HBL HIGH BAY LINEAR LED

The HBL High Bay LED is a high output, DLC certified LED luminaire ideal for warehouses and other industrial applications.

- Commercial
- Warehouse
- Factory

PHYSICAL

Material	Steel Sheet with High Quality Powder Coated End Cap
Mounting	V-Hook with Chain Mounting
Lens	Frosted Plastic Diffuser
Finish	White Powder Coated
CCT	3000K, 4000K, 5000K, 5700K
CRI	80+
Beam Angle	114.2°

PERFORMANCE

Warranty	5 years
Certifications	CUL, CETL, CE, DLC, ROHS Compliant
IP Rating	IP20
Rated Life	>50,000 hours
Operating Temperature	-40°C to 50°C (-40°F to 122°F)

ELECTRICAL

Wattage	80W, 100W, 140W, 165W, 225W, 325W
Voltage	120-277V
Power Factor	>0.9
Dimmable	0-10V

ORDERING LOGIC

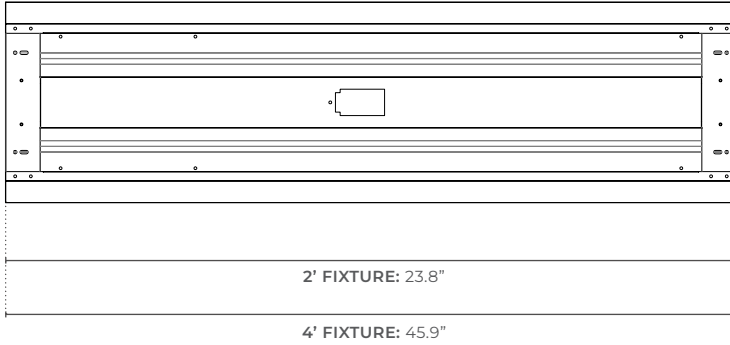
EX: HBL-2-8-30

FAMILY	SIZE	WATTAGE	CCT	OPTIONS
HBL	2 23.8"	8 80W	30 3000K	OS Occupancy Sensor
		10 100W	40 4000K	EM Emergency Backup: 90-Min.
		14 140W	50 5000K	
		16 165W	57 5700K	
	4 45.9"	16 165W		
		22 225W		
		32 325W		

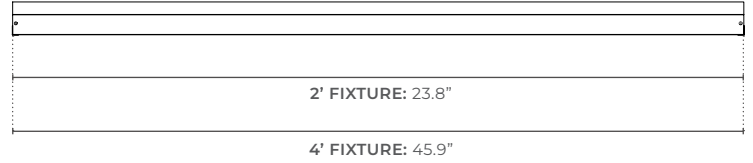


DIMENSIONS

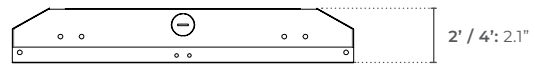
TOP VIEW



SIDE VIEW



END VIEW



MOUNTING



PHOTOMETRICS

Beam Angle: 90°

