

HBLS HIGH BAY LINEAR SELECTABLE

The High Bay Linear Selectable is wattage and color temperature selectable, DLC 5.1 Premium certified, IP65 rated luminaire ideal for warehouses and other industrial applications.

- Commercial
- Warehouse
- Factory

PROJECT _____ DATE _____

COMMENTS _____



PHYSICAL

Material	Die-cast Aluminum
Mounting	Suspended
Lens	Polycarbonate
Finish	White

PERFORMANCE

Warranty	5 years
Certifications	UL, cUL, cETL, ETL, DLC Premium
IP Rating	IP65
IK Rating	IK08
Rated Life	L80 >100,000 hours
Operating Temperature	-20°C to 50°C (-4°F to +122°F)
CCT	Field Selectable: 3500K, 4000K, 5000K
CRI	80+
Beam Angle	120°

ENERGY CHART

SIZE	LENGTH feet	OUTPUT	WATTAGE	LUMENS	EFFICACY lm/w
2	23.6	FS1	80W	11,200	140
			110W	15,400	140
			165W	23,100	140
		FS2	110W	15,400	140
			165W	23,100	140
			220W	30,800	140
3	35.1	FS3	165W	23,100	140
			220W	30,800	140
			300W	42,000	140

ELECTRICAL

Wattage	80W, 110W, 165W, 220W, 300W
Voltage	120-277V / 120-347V
Power Factor	0.95
Dimmable	1-10V

ORDERING LOGIC

EX: HBLS-2-FS1-27

FAMILY	SIZE	OUTPUT	VOLTAGE	OPTIONS	
HBLS	2 2'	FS1	UNV 120-277V	POS Passive-Infrared Occupancy Sensor MOS Microwave Occupancy Sensor EM Emergency Backup: 90 minutes	
		FS2	347 120-347V		
	3 3'	FS3	80W/110W/165W		
			110W/165W/220W		
	3 3'	FS3	165W/220/300W		

ACCESSORIES ORDERING LOGIC (ORDER SEPARATELY) ON PAGE 2

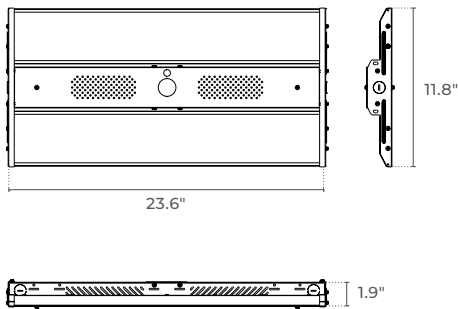
ACCESSORIES ORDERING LOGIC (ORDER SEPARATELY)

EX: HBL5-RC

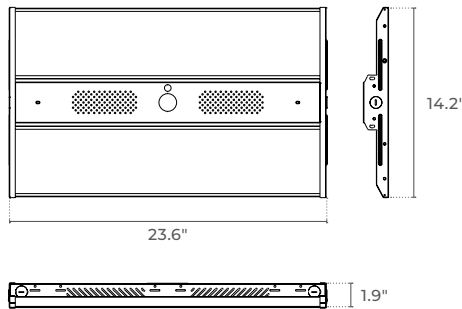
FAMILY	OPTIONS
HBL5	
	RC Remote Control for Occupancy Sensor

DIMENSIONS

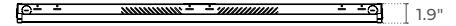
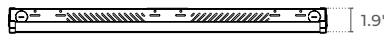
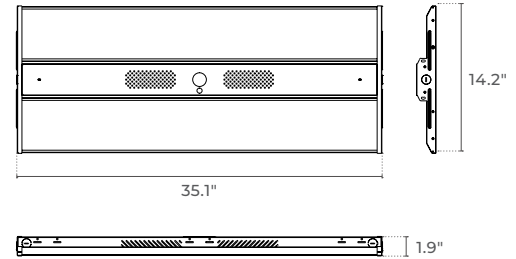
2' - 80W/110W/165W Product



2' - 110W/165W/220W Product



3' - 165W/220W/300W Product



ACCESSORIES

POS Passive-Infrared Occupancy Sensor



SPECIFICATIONS

Power Supply	12V-24V DC, >30mA
Dim Control Output	0-10V, Maximum 25mA Sinking Current
Remote Range	50ft indoor, no backlight
Detection Radius	20%/50%/75%/100%(3.3ft-26.2ft)
Mounting Height	Maximum 40ft
Time Setting	10s/1min/5min/10min/15min/20min/30min/60min
Light-control	24H/10LUX/30LUX/50LUX
Temperature	-20°C to 60°C (-4°F to +140°F)
IP Rating	IP65

MOS Microwave Occupancy Sensor



SPECIFICATIONS

Power Supply	12V-24V DC, >30mA
Dim Control Output	0-10V, Maximum 25mA Sinking Current
Remote Range	50ft indoor, no backlight
Detection Radius	20%/50%/75%/100%(3.3ft-26.2ft)
Mounting Height	Maximum 40ft
Time Setting	10s/1min/5min/10min/15min/20min/30min/60min
Light-control	24H/10LUX/30LUX/50LUX
Temperature	-20°C to 60°C (-4°F to +140°F)
IP Rating	IP65

RC Remote Control for Occupancy Sensor



EM Emergency Backup: 90 minutes



SPECIFICATIONS

Input Voltage	AC100-277V
DC output	150-200VDC
Wattage	15W/25W
Emergency Time	90 minutes
BAttery	Ni-Cd/LiFePO4
Dimension (inches)	13*2.6*2.2