

PROJECT  DATE

COMMENTS



## HBU HIGH BAY UFO LED

The HBU Series High Bay offers a DLC Certified, IP66 wet location rated LED luminaire with optional occupancy sensors for maximum energy savings in a low profile housing.

- Black Finish
- Standard 1-10V Dimming
- Multiple Mounting Options

### PHYSICAL

Operating Temperature	-40°C to 50°C (-40 to 122°F)
Material	Die-Cast Aluminum
Mounting	Eye Bolt or Surface Mount Bracket
Lens	Polycarbonate Diffuser
Weight	4.4lbs, 5.9lbs, 6.6lbs
CCT	4000K, 5000K, 5700K
CRI	80+

### PERFORMANCE

Warranty	5 years
Certifications	CETL, DLC, CB, ROHS Compliant
IP Rating	IP66
IK Rating	IK08
LED Lifetime	>100,000 hours

### ENERGY CHART

TYPE	OUTPUT	LUMENS	WATTAGE	EFFICACY lm/w
1	Medium	14000	100	140
	High	19000	100	190
2	Medium	21000	150	140
	High	28500	150	190
3	Medium	28500	200	140
	High	38000	200	190

### ELECTRICAL

Voltage	120-277V
Wattage	100W, 150W, 200W
Power Factor	>0.9
Dimming	1-10V

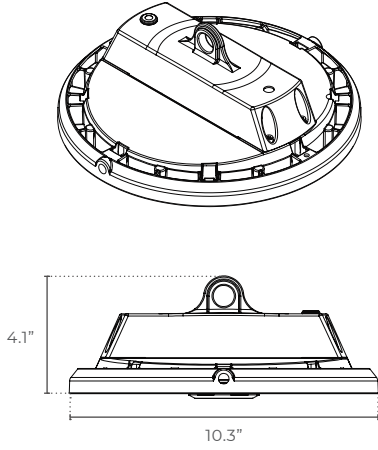
### ORDERING LOGIC

EX: HBU-1-M-40-EB-90

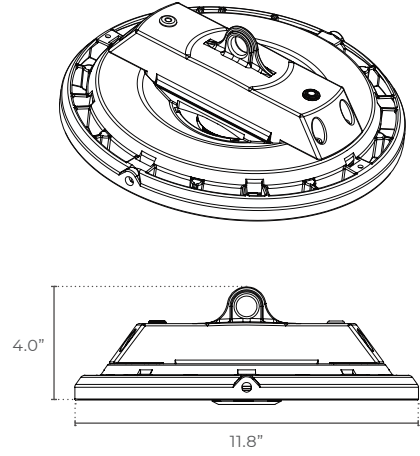
FAMILY	TYPE	OUTPUT	CCT	MOUNTING	BEAM ANGLE	OPTIONS
<b>HBU</b>						
	1	M 140 lm/w	40 4000K	EB Eye Bolt	90 90°	S1 Occupancy Sensor (Local)
	2	H 190 lm/w	50 5000K	SM Surface Mount Bracket	120 120°	S2 Occupancy Sensor (Grouping)
	3		57 5700K			SC Safety Cable
						CC Custom Configurations FOR ADDITIONAL OPTIONS CONTACT SALES@SAGELIGHTING

**DIMENSIONS**

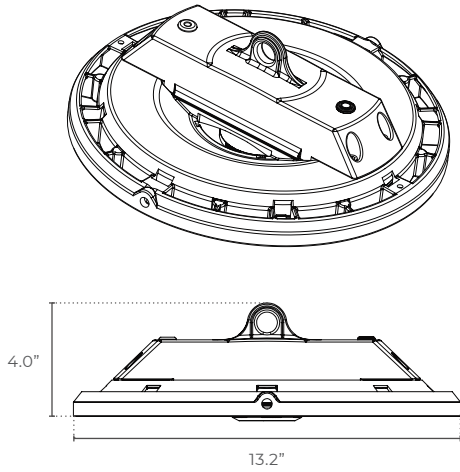
**100W**



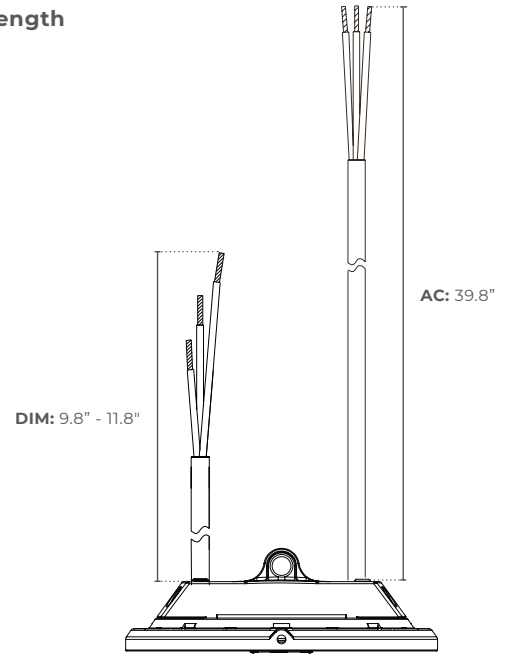
**150W**



**200W**

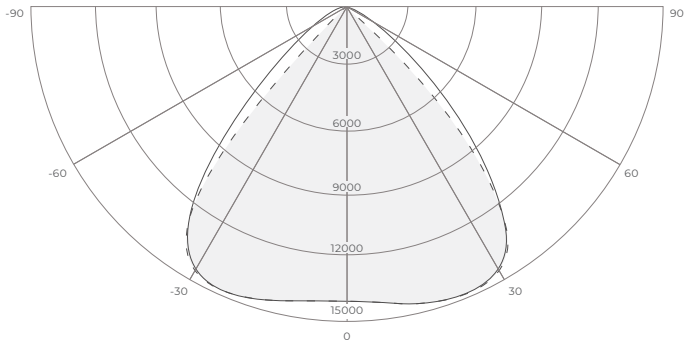


**Cable Length**



**PHOTOMETRICS**

**Beam Angle: 90°**



**Beam Angle: 120°**

