

PROJECT _____ DATE _____

COMMENTS _____



HBU-G2 HIGH BAY UFO LED GEN 2

The HBU-G2 Series High Bay offers a DLC Certified, IP65 wet location rated LED luminaire with field selectable wattage and optional occupancy sensors for maximum energy savings in a low profile housing. The Gen 2 offers improved design and higher efficacy.

- Black Finish
- Multiple Mounting Options

PHYSICAL

Material	Die-Cast Aluminum
Mounting	Hook, Surface-Mount Bracket
Lens	Polycarbonate Lens
Reflector	Polycarbonate (Optional)
Finish	Black

PERFORMANCE

Warranty	5 years
Certifications	ETL, cETL, DLC5.1 Premium
Rated Life	50,000 hours
Operating Temperature	-40°C to 50°C (-40°F to 122°F)
CCT	4000K, 5000K, 5700K
CRI	80+
Beam Angle	120° (Standard), 60°, 90° (Optional)

ENERGY CHART

OUTPUT	DELIVERED LUMENS	WATTAGE	EFFICACY lm/w
FS1	12800	80	160
	16000	100	160
	24000	150	160
FS2	24000	150	160
	32000	200	160
	38400	240	160

ELECTRICAL

Voltage	100-277V
Wattage	Field Selectable: 80W/100W/150W or 150/200W/240W
Power Factor	>0.95
Dimming	0-10V

ORDERING LOGIC

EX: HBU-G2-FS1-40

FAMILY	OUTPUT	CCT	OPTIONS
HBU-G2			
FS1	Field Selectable 80W / 100W / 150W	40 4000K	OS Microwave Occupancy and Daylight Sensor
FS2	Field Selectable 150W / 200W / 240W	50 5000K 57 5700K	EM Emergency Battery

SEE ACCESSORIES ORDERING LOGIC ON PAGE 2

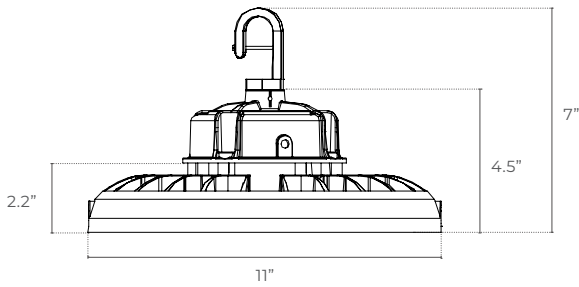
ACCESSORIES ORDERING LOGIC (ORDER SEPARATELY)

EX: HBU-G2-FS1MB

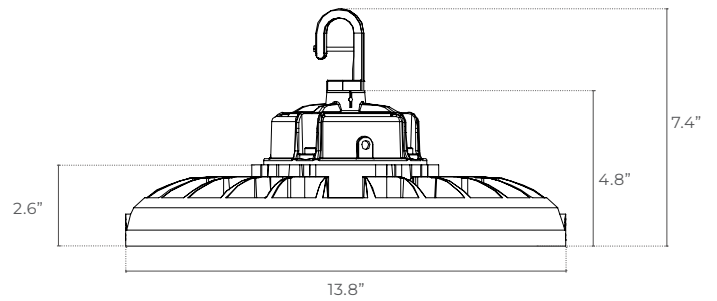
FAMILY	ACCESSORIES	
HBU-G2		
	FS1MB FS1 Surface Mounting Bracket	WG Wireguard
	FS2MB FS2 Surface Mounting Bracket	AL60 60° Annular Lens
	SC Safety Cable	AL90 90° Annular Lens
	OSRC Remote Control for OS	

DIMENSIONS

FS1



FS2



ACCESSORIES

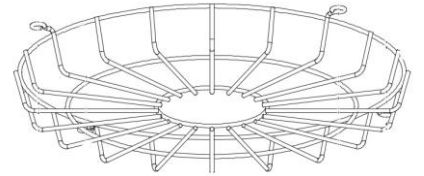
Polycarbonate Reflector, 120° angle



Mounting Bracket



Wireguard



ADDITIONAL IMAGERY

