

PROJECT _____ DATE _____

COMMENTS _____



IN STOCK



ENERGY CHART

OUTPUT	LUMENS	EFFICACY lm/w
100	18,000	180
120	21,600	180
150	27,000	180
180	32,400	180
200	36,000	180
240	43,200	180

ORDERING LOGIC EX: HBU-QS-100-40

FAMILY	WATTAGE	CCT
HBU-QS	100 100W	40 4000K
	150 150W	50 5000K
	200 200W	
	240 240W	
	FS1* Field Selectable <small>100W / 120W / 150W</small>	
	FS2* Field Selectable <small>150W / 180W / 200W</small>	

ORDERING NOTE
* Only Available in 5000K

HBU-QS HIGH BAY UFO LED QUICK SHIP

The HBU-QS series is an LED UFO High Bay with quick ship delivery throughout the USA. HBU-QS is DLC Premium, IP65 rated, easy to install and ideal for replacing 200W-1000W metal halide or high-pressure sodium light sources with great energy savings, low maintenance, and long lifetime.

PHYSICAL

Material	Die-Cast Aluminum
Mounting	Suspension Hook
Lens	Polycarbonate
Finish	Black

PERFORMANCE

Warranty	5 years
Certifications	cETLus, DLC Premium
IP Rating	IP65
LED Lifetime	L80 50,000 hours
Operating Temperature	-36°C to 60°C (-32.8°F to 140°F)
CCT	4000K, 5000K
CRI	80+
Beam Angle	120°

ELECTRICAL

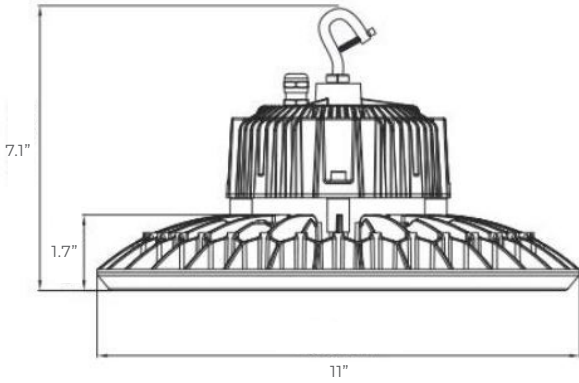
Voltage	100-277VAC 50/60Hz
Wattage	100W, 150W, 200W, 240W Field Selectable: (100W/120W/150W), (150W/180W/200W)
Power Factor	>0.9
Dimming	0-10V
THD	<20%

ACCESSORIES ORDERING LOGIC (ORDER SEPARATELY) EX: HBU-QS-FS1MB

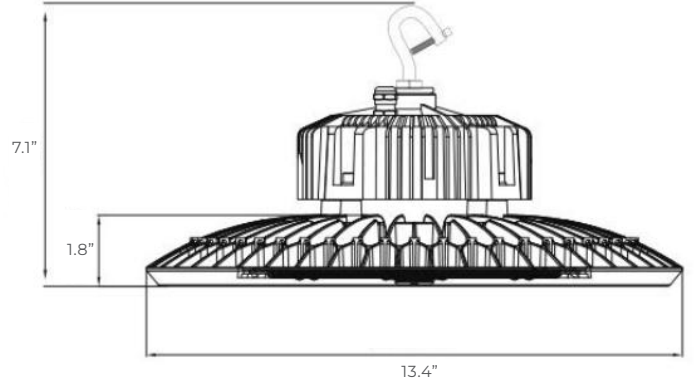
FAMILY	ACCESSORIES
HBU-QS	MS Motion Sensor
	AR Aluminum Reflector

DIMENSIONS

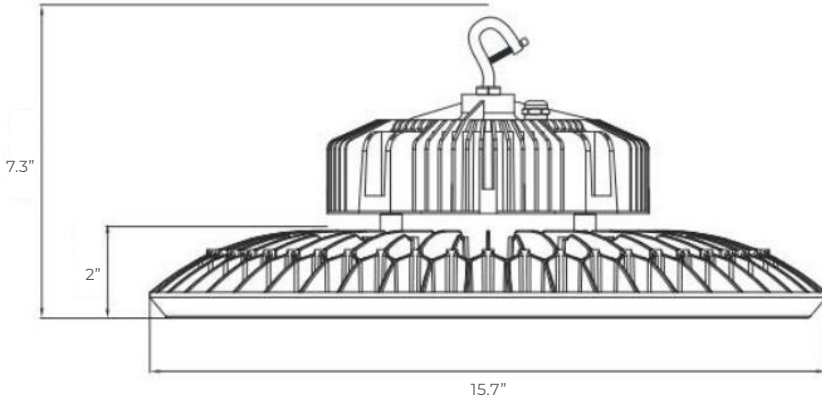
100W



150W

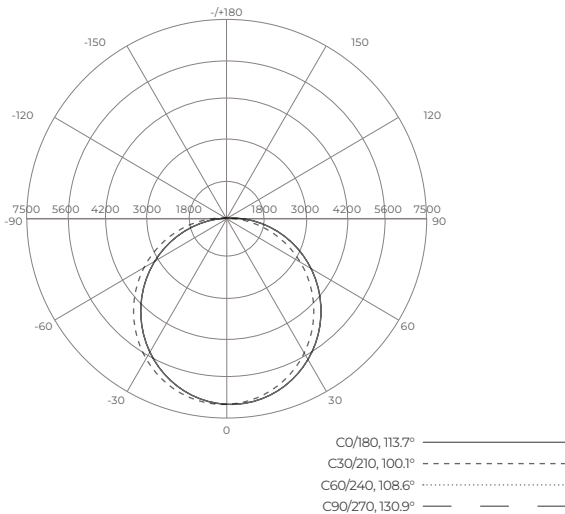


200W - 240W



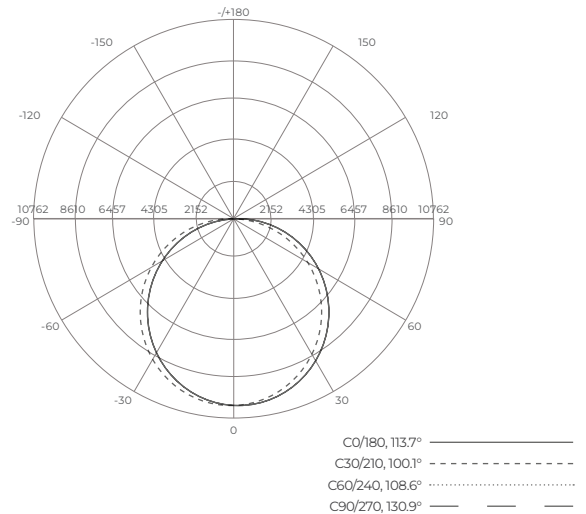
PHOTOMETRICS - 100W - 5000K

AVERAGE BEAM ANGLE (50%): 108°



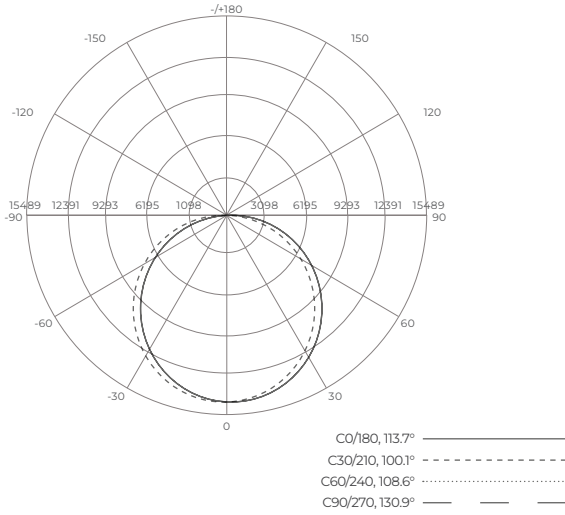
PHOTOMETRICS - 150W - 5000K

AVERAGE BEAM ANGLE (50%): 108°



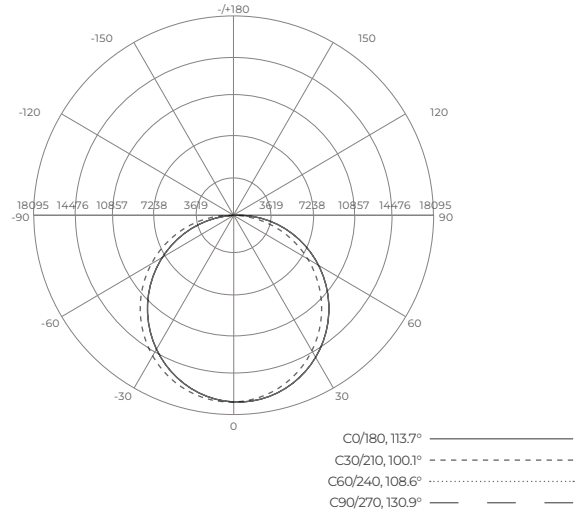
PHOTOMETRICS - 200W - 5000K

AVERAGE BEAM ANGLE (50%): 108°



PHOTOMETRICS - 240W - 5000K

AVERAGE BEAM ANGLE (50%): 108°



ADDITIONAL IMAGERY

