

PROJECT DATE

COMMENTS



DISCONTINUED



ENERGY CHART

TYPE	LUMENS	WATTAGE	EFFICACY lm/w	WEIGHT lbs
HBUP	14250	75	190	4.9
	19950	105	190	4.9
	25650	135	190	7.5
	31350	165	190	9.7
	38950	205	190	9.7

HBUP HIGH BAY UFO PREMIUM LED

The HBUP Series High Bay offers a DLC Premium Certified, high-output, IP66 wet location rated LED luminaire with optional occupancy sensors for maximum energy savings in a low profile housing.

- Black or White Finish
- Standard 1-10V Dimming
- Multiple Mounting Options

PHYSICAL

Material	Die-Cast Aluminum
Mounting	Eye Hole (Standard Suspension Hook Provided By Others), Pendant, Surface
Finish	Black or White
Lens	Polycarbonate Diffuser
Reflector	Aluminum or Polycarbonate

PERFORMANCE

Warranty	5 years
Certifications	ETL, cETLus, DLC, CB, RoHS Compliant
IP Rating	IP65
Rated Life	L70 50,000 hours
Operating Temperature	-40°C to 45°C (-40 to 113°F)
Dimmable	1-10V
CCT	3000K, 4000K, 5000K, 6000K, 6500K
CRI	70+
Beam Angle	120°

ELECTRICAL

Voltage	120-277V
Wattage	75W, 105W, 135W, 165W, 205W
Power Factor	>0.95

ORDERING LOGIC

EX: HBUP-75-30-BK

FAMILY	WATTAGE	CCT	FINISH	OPTIONS
HBUP	75 75W	30 3000K	BK Black	OS Occupancy Sensor
	105 105W	40 4000K	WH White	DS Daylight Sensor
	135 135W	50 5000K		
	165 165W	60 6000K		
	205 205W	65 6500K		

ACCESSORIES ORDERING LOGIC (ORDER SEPARATELY)

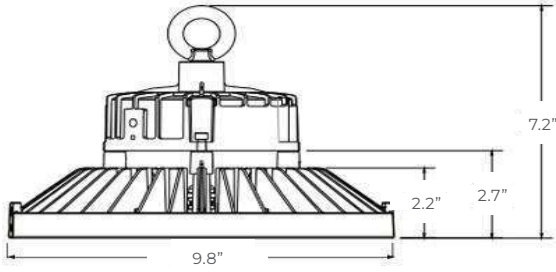
EX: HBUP-MB

FAMILY	ACCESSORIES
HBUP	MB Surface Mount U-Bracket
	SC Safety Cable
	AR Aluminum Reflector
	PR Polycarbonate Reflector
	RC Remote Control
	P12C ½ Pendant Mount Adapter <small>½" NPT STEM PROVIDED BY OTHERS</small>
	P34C ¾ Pendant Mount Adapter <small>¾" NPT STEM PROVIDED BY OTHERS</small>

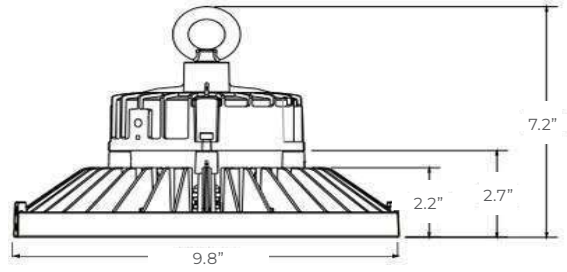


DIMENSIONS

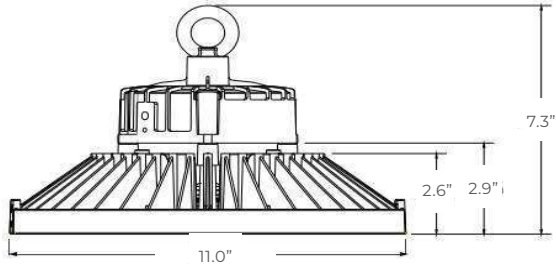
75W



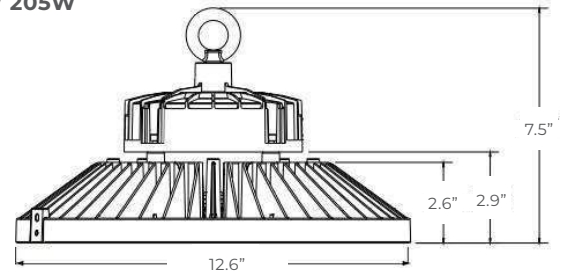
105W



135W

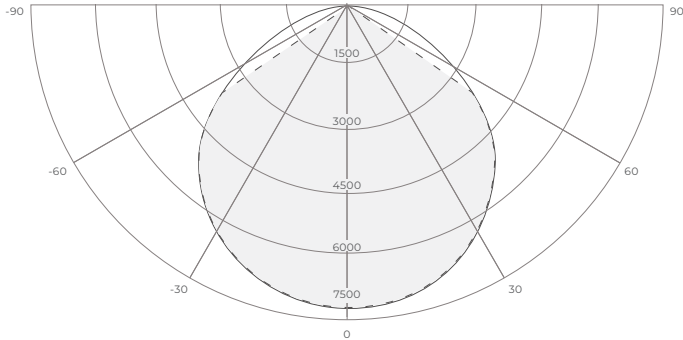


165W / 205W



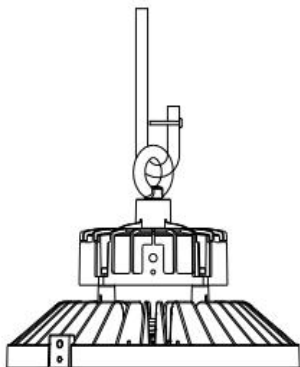
PHOTOMETRICS

Beam Angle: 120°

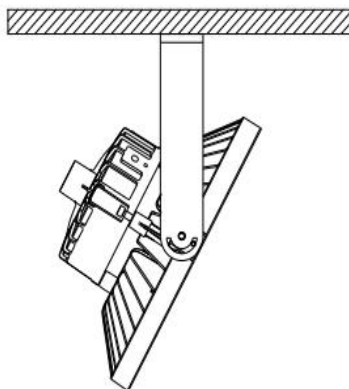


MOUNTING OPTIONS

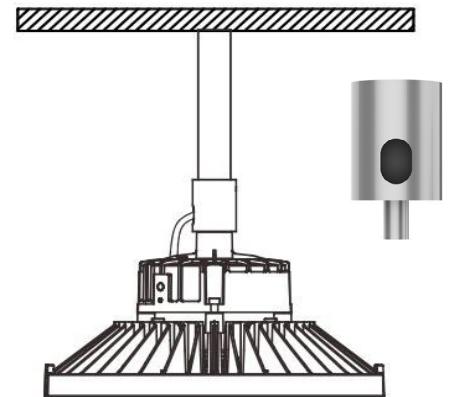
Hook Suspended - Standard



Surface Mount



Pendant with 1/2" or 3/4" Conduit



ACCESSORIES

AC 120V Sensor



Remote Control



Aluminum Reflector



DC 12V Sensor



Safety Cable



Polycarbonate Reflector



Daylight Sensor

