

PROJECT  DATE

COMMENTS



## HBUP-H HIGH BAY UFO PREMIUM LED

The HBUP-H Series High Bay offers a DLC Premium Certified, high-output, IP66 wet location rated LED luminaire with optional occupancy sensors for maximum energy savings in a low profile housing.

- Black or White Finish
- Standard 1-10V Dimming
- Multiple Mounting Options

### PHYSICAL

Material	Die-Cast Aluminum
Mounting	Conduit Surface, Hook Suspended, Surface Mount
Finish	Black, White
Lens	Polycarbonate Diffuser
CCT	2200K, 3000K, 4000K, 5000K, 6000K, 6500K
CRI	70+
Beam Angle	120°

### PERFORMANCE

Warranty	5 years
Certifications	CETL, DLC, CB, ROHS Compliant
IP Rating	IP65
Rated Life	L70 50,000 hours
Operating Temperature	-40°C to 45°C (-40 to 113°F)

### ELECTRICAL

Voltage	120-277V
Wattage	75W, 105W, 135W, 165W, 205W
Power Factor	>0.95
Dimming	1-10V

### ENERGY CHART

TYPE	OUTPUT	LUMENS	WATTAGE	EFFICACY lm/w	WEIGHT lbs
HBUP-H	High	14250	75	190	4.9
		19950	105	190	4.9
		25650	135	190	7.5
		31350	165	190	9.7
		38950	205	190	9.7

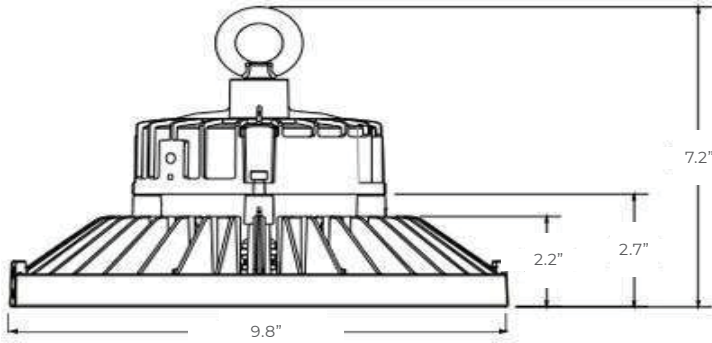
### ORDERING LOGIC

EX: HBUP-H-75-22-CS-BK

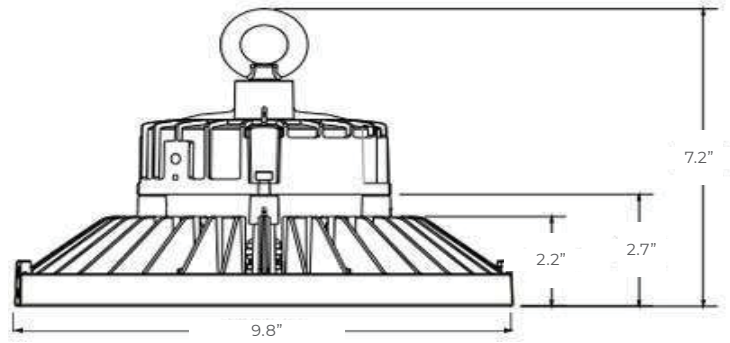
FAMILY	WATTAGE	CCT	MOUNTING	OPTIONS
HBUP-H	<b>75</b> 75W	<b>22</b> 2200K	<b>CS</b> Conduit Suspended	<b>BK</b> Black
	<b>105</b> 105W	<b>30</b> 3000K	<b>HS</b> Hook Suspended	<b>WH</b> White
	<b>135</b> 135W	<b>40</b> 4000K	<b>SM</b> Surface Mount	<b>S1</b> Occupancy Sensor (Local)
	<b>165</b> 165W	<b>50</b> 5000K		<b>S2</b> Occupancy Sensor (Grouping)
	<b>205</b> 205W	<b>60</b> 6000K		<b>SC</b> Safety Cable
	<b>65</b> 6500K			<b>CC</b> Custom Configurations FOR ADDITIONAL OPTIONS CONTACT SALES@SAGE.LIGHTING

**DIMENSIONS**

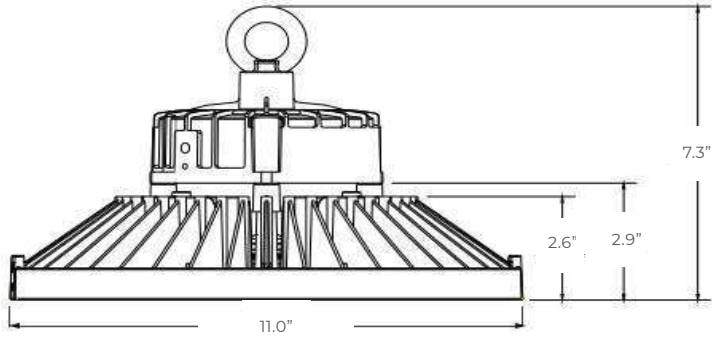
**75W**



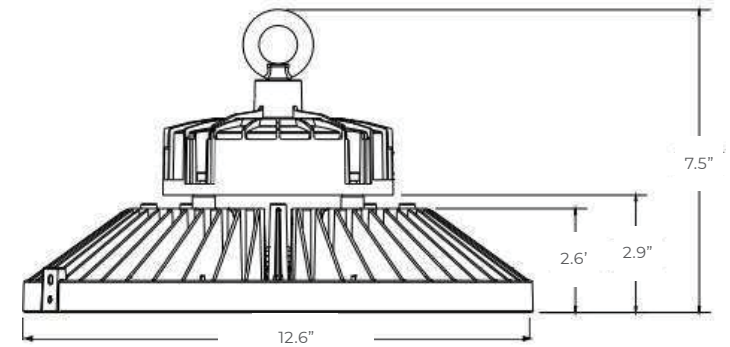
**105W**



**135W**



**165W / 205W**



**PHOTOMETRICS**

**Beam Angle: 120°**

