

PROJECT  DATE

COMMENTS



**IN STOCK**



## HBUP-M HIGH BAY UFO PREMIUM LED

The HBUP-M Series High Bay offers a DLC Premium Certified, medium-output, IP66 wet location rated LED luminaire with optional occupancy sensors for maximum energy savings in a low profile housing.

- Black or White Finish
- Standard 1-10V Dimming
- Multiple Mounting Options

### PHYSICAL

Material	Die-Cast Aluminum
Mounting	Conduit Surface, Hook Suspended, Surface Mount
Finish	Black, White
Lens	Polycarbonate Diffuser
CCT	4000K, 5000K
CRI	70+
Beam Angle	60°, 90°, 120°

### PERFORMANCE

Warranty	5 years
Certifications	CETL, DLC, CB, ROHS Compliant
IP Rating	IP65
Rated Life	L70 50,000 hours
Operating Temperature	-40°C to 45°C (-40 to 113°F)

### ENERGY CHART

TYPE	OUTPUT	LUMENS	WATTAGE	EFFICACY lm/w	WEIGHT lbs
HBUP-140	Medium	14000	100	140	8.6
		21000	150	140	8.6
		28000	200	140	11.9
		33600	240	140	11.9

### ELECTRICAL

Voltage	120-277V
Wattage	100W, 150W, 200W, 240W
Power Factor	>0.95
Dimming	1-10V

### ORDERING LOGIC

EX: HBUP-M-100-40-BK

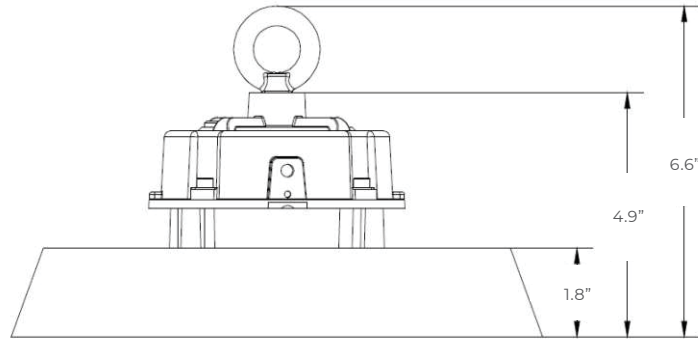
FAMILY	WATTAGE	CCT	FINISH
<b>HBUP-M</b>	<b>100</b>	100W	<b>40</b> 4000K
	<b>150</b>	150W	<b>50</b> 5000K
	<b>200</b>	200W	<b>BK</b> Black
	<b>240</b>	240W	<b>WH</b> White

### ACCESSORIES (ORDER SEPARATELY)

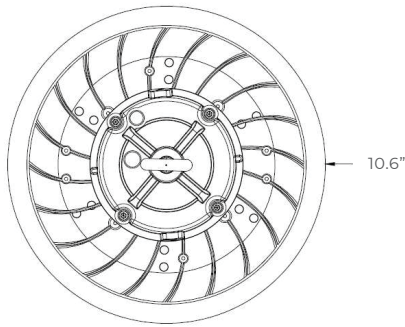
EX: HBUP-M-PR

FAMILY	OPTIONS
<b>HBUP-M</b>	<b>PR</b> Polycarbonate Reflector
	<b>MB</b> Surface Mount U-Bracket
	<b>SC</b> Safety Cable

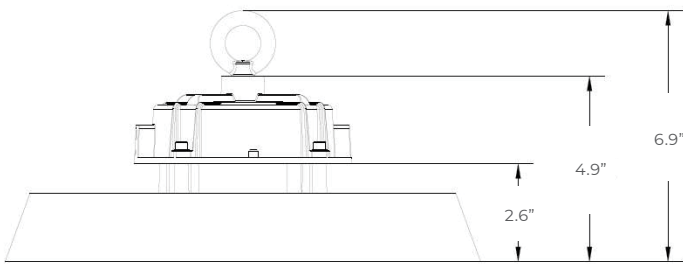
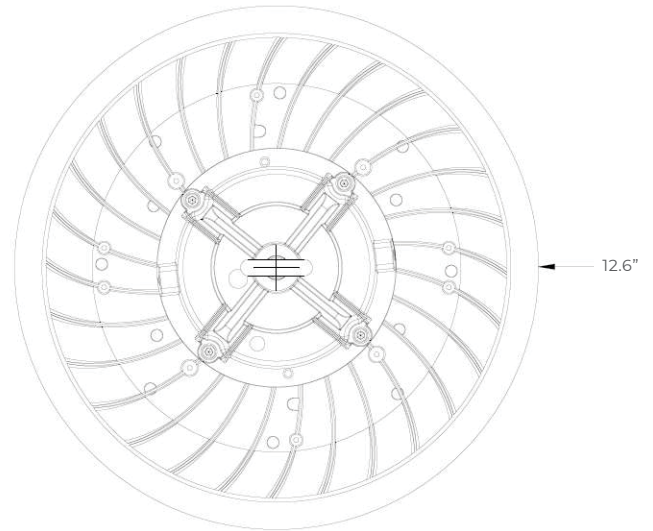
**DIMENSIONS**



**75W / 100W / 150W**

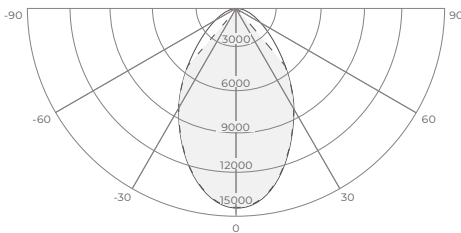


**200W / 240W**

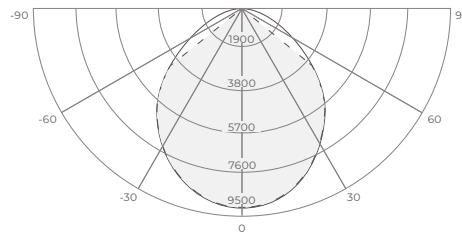


**PHOTOMETRICS**

**Beam Angle: 60°**



**Beam Angle: 90°**



**Beam Angle: 120°**

