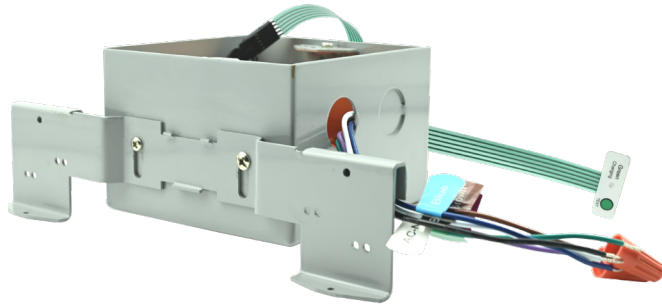


PROJECT DATE

COMMENTS



JBEM JUNCTION BOX EMERGENCY

JBEM is a junction box equipped with an integral constant power emergency battery back up that provides 90 minutes of emergency lighting for any dry or damp location 120V surface mount downlight. The junction box is easy to install with vertical brackets that are screwed to structure and multiple conduit knockouts on three sides of the exposed junction box. Fixtures with ceiling mounting brackets of 2.75" or 3.5" mount directly to the bottom of the junction box after making electrical connections. JBEM is provided with a 2-in-1 test switch and green charging indicator light that can be adhered to the ceiling or the side of the fixture housing. The emergency driver meets or exceeds all NEC, IBC, and Life Safety Code emergency lighting requirements in addition to CA Title 20 battery charge efficiency standards.

- Residential
- Commercial
- Hospitality

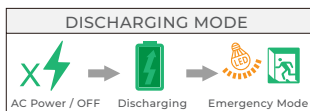
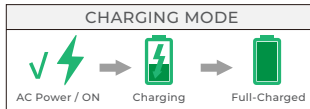
PHYSICAL

Material	Metal
Mounting	Surface
Finish	Gray
LED Charge Indicator	Green
Dimensions	8.50" x 5.13" x 2.96"
Net Weight	1.07KG

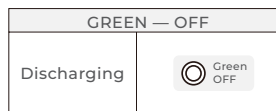
PERFORMANCE

Warranty	5 years
Certifications	cULus, RoHS, Damp Location, CEC Title 20
IP Rating	IP20
Operating Temperature	41°F to 122°F (5°C to 50°C)
Emergency Time	1.5 hours
Initial Charge Time	24 hours

OPERATION



INDICATOR LIGHT



ORDERING LOGIC

EX: JBEM

FAMILY

JBEM

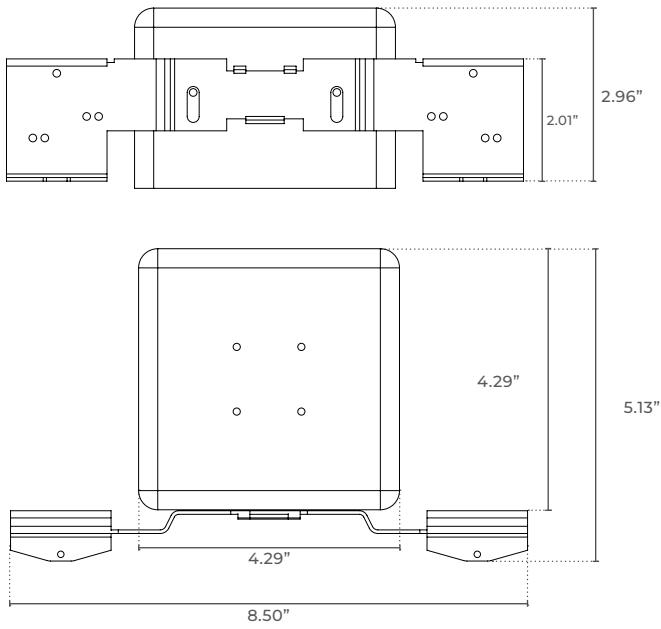
ELECTRICAL

Wattage	15W
Input Voltage	AC 120V
Output Voltage	<= AC 110V
Input Current	< 120mA
Power Frequency	60Hz
Battery Capacity	3000mH
Battery Type	Li-ion

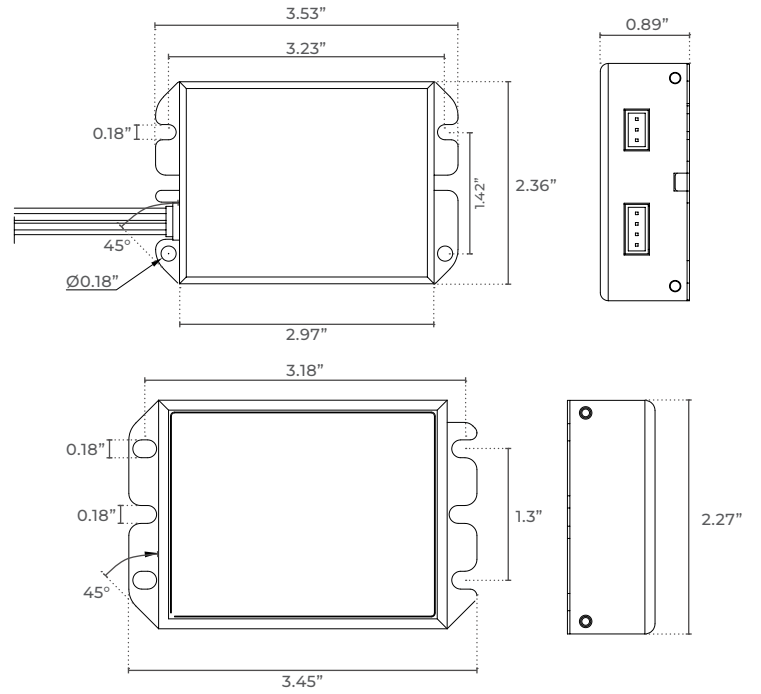


DIMENSIONS

Whole Product



Battery



ADDITIONAL SPECIFICATIONS

- Meets or exceeds all NEC, IBC, and Life Safety Code Emergency Lighting Requirements
- High efficiency performance meets CA Title 20 battery charge efficiency standards
- Listed to UL924 and tested to CSA 22.2, No 141 for Field or Factory Installation (Indoor and Damp)

ADDITIONAL IMAGERY

