

LC SERIES LED RIBBON EXTRUSION

The LC Series offers low, mid, and high-profile extruded aluminum housings with a variety of lensing options.

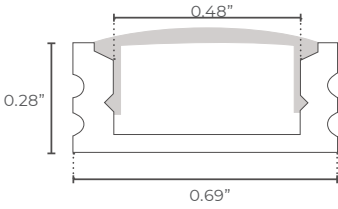
- Surface & Recessed
- (2) End-Caps & (2) Mounting Clips Per Section
- Flat, Angle, and Round Profile

PROJECT _____ DATE _____

COMMENTS _____

ORDERING LOGIC

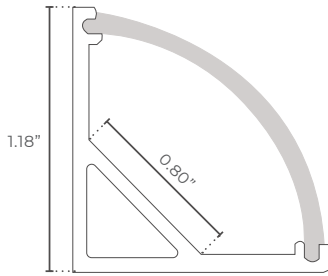
EX: LC-1707-SM-CL-ST



FAMILY	TYPE	MOUNT	LENS	FINISH	LENGTH
LC	1707	SM		S	
LC: EXTRUSION		SM Surface	CL Clear FR Frosted D Diffused	S Silver	ST 3' 3"; Cut in Field STANDARD PC Pre-Cut CONTACT FACTORY FOR PROJECT REQUIREMENTS CC Custom Configurations FOR ADDITIONAL OPTIONS CONTACT SALES@SAGELIGHTING

ORDERING LOGIC

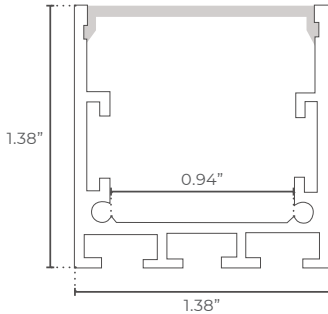
EX: LC-1616A-SM-CL-ST



FAMILY	TYPE	MOUNT	LENS	FINISH	LENGTH
LC	1616A	SM		S	
LC: EXTRUSION		SM Surface	CL Clear FR Frosted	S Silver	ST 3' 3"; Cut in Field STANDARD PC Pre-Cut CONTACT FACTORY FOR PROJECT REQUIREMENTS CC Custom Configurations FOR ADDITIONAL OPTIONS CONTACT SALES@SAGELIGHTING

ORDERING LOGIC

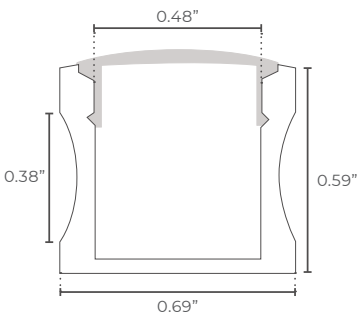
EX: LC-3535-SM-FR-ST



FAMILY	TYPE	MOUNT	LENS	FINISH	LENGTH
LC	3535	SM		S	
LC: EXTRUSION		SM Surface	FR Frosted D Diffused	S Silver	ST 3' 3"; Cut in Field STANDARD PC Pre-Cut CONTACT FACTORY FOR PROJECT REQUIREMENTS CC Custom Configurations FOR ADDITIONAL OPTIONS CONTACT SALES@SAGELIGHTING

ORDERING LOGIC

EX: LC-1715-SM-CL-ST



FAMILY	TYPE	MOUNT	LENS	FINISH	LENGTH
LC	1715	SM		S	
LC: EXTRUSION		SM Surface	CL Clear FR Frosted D Diffused	S Silver	ST 3' 3"; Cut in Field STANDARD PC Pre-Cut CONTACT FACTORY FOR PROJECT REQUIREMENTS CC Custom Configurations FOR ADDITIONAL OPTIONS CONTACT SALES@SAGELIGHTING