



# DUNTON HOUSE

## DECORATIVE LIGHTING

### LEWIS-1 VANITY E12

PROJECT  DATE

COMMENTS



#### PHYSICAL

Material	Metal
Lens Material	Outer Clear Glass, Inner Frosted Glass
Mounting	Wall Mounted (Up or Down)
Finish	Black, Brushed Nickel, Black + Gold
Source	1 x E12, Type B Shape Recommended (4W 350lm 3000K Dimmable LED Lamp Included)
Dimensions	W 4.5" x D 4.75" x H 9.375"

#### PERFORMANCE

Warranty	5 years
Certifications	cETLus
CCT	3000K
CRI	90
Lamp Lumens	350lm per lamp

#### ELECTRICAL

Wattage	60W Type B Maximum Per Socket
Voltage	120V
Dimmable	Yes, with dimmable lamp and dimmable switch. Dimmable switch not included.

#### ORDERING LOGIC

FAMILY	TYPE	FINISH
<b>LEWIS</b>	<b>1</b>	
	<b>1</b> 1 Lamp	<b>BK</b> Matte Black
		<b>BN</b> Brushed Nickel
		<b>BKGD</b> Black + Gold



Matte Black



Brushed Nickel



Black + Gold

#### DIMENSIONAL DATA

HEIGHT inches	WIDTH inches	DEPTH inches
9.375	4.5	4.75

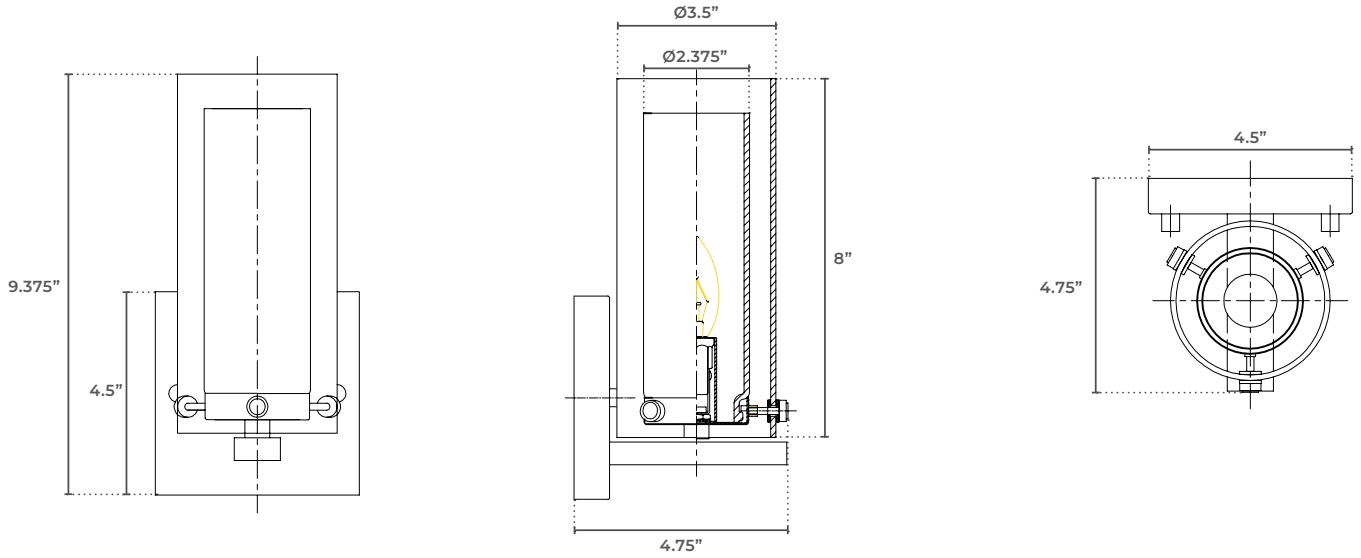
#### NOTES

Usage Indoor Only

EX: LEWIS-1-BK



**DIMENSIONS**



**LEWIS FAMILY**

**LEWIS-WL**  
EXTERIOR SCONCE E12



**LEWIS-2**  
VANITY E12



**LEWIS-3**  
VANITY E12



**LEWIS-4**  
VANITY E12



**LEWIS-C**  
CHANDELIER E26 CHAIN + STEM



**LEWIS-MP**  
MINI PENDANT E26 CABLE + STEM

