



DUNTON HOUSE

DECORATIVE LIGHTING

LEWIS-2 VANITY E12

PROJECT DATE

COMMENTS



PHYSICAL

Material	Metal
Lens Material	Outer Clear Glass, Inner Frosted Glass
Mounting	Wall Mounted (Up or Down)
Finish	Black, Brushed Nickel, Black + Gold
Source	2 x E12, Type B Shape Recommended (4W 350lm 3000K Dimmable LED Lamp Included)
Dimensions	W 13.5" x D 4.75" x H 9.375"

PERFORMANCE

Warranty	5 years
Certifications	cETLus
CCT	3000K
CRI	90
Lamp Lumens	350lm per lamp

ELECTRICAL

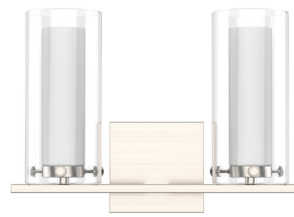
Wattage	60W Type B Maximum Per Socket
Voltage	120V
Dimmable	Yes, with dimmable lamp and dimmable switch. Dimmable switch not included.

ORDERING LOGIC

FAMILY	TYPE	FINISH
LEWIS	2	
	2 2 Lamp	BK Matte Black
		BN Brushed Nickel
		BKGD Black + Gold



Matte Black



Brushed Nickel



Black + Gold

DIMENSIONAL DATA

HEIGHT inches	WIDTH inches	DEPTH inches
9.375	13.5	4.75

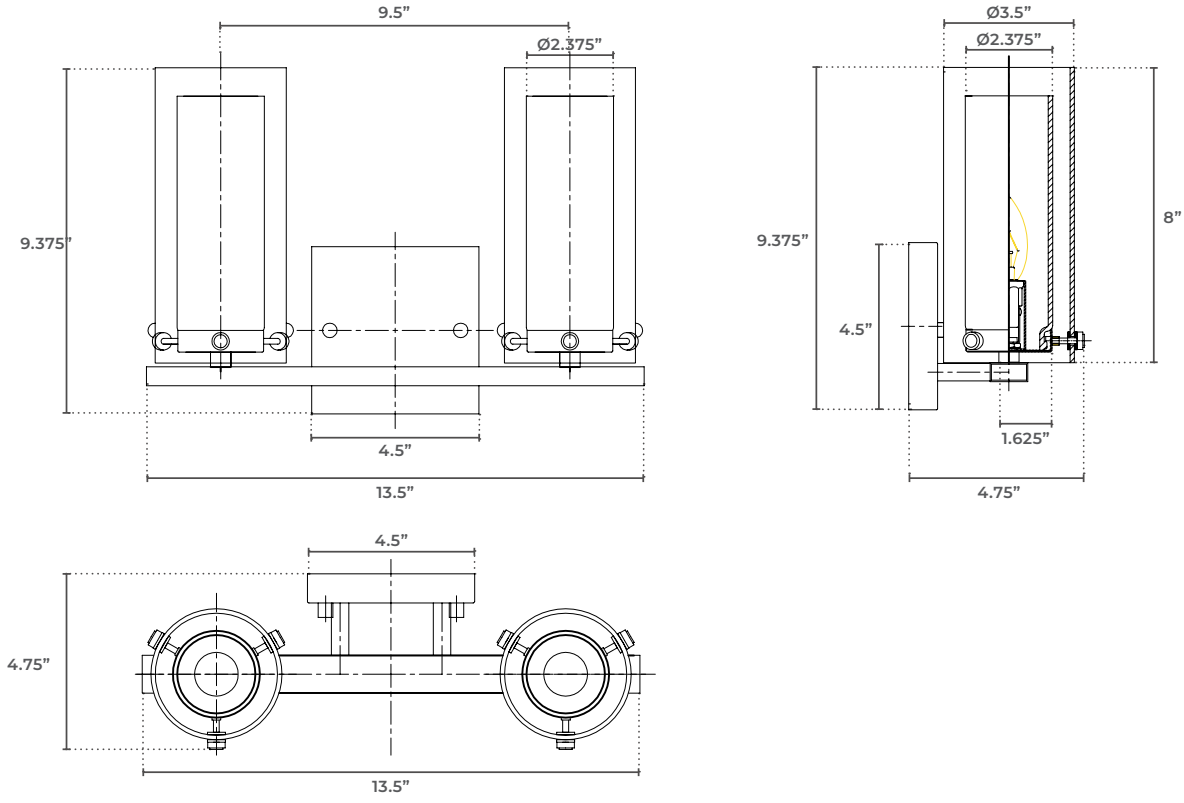
NOTES

Usage	Indoor Only
-------	-------------

EX: LEWIS-2-BK



DIMENSIONS



LEWIS FAMILY

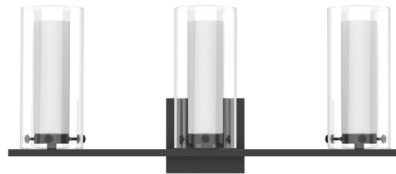
LEWIS-WL
EXTERIOR SCENCE E12



LEWIS-1
VANITY E12



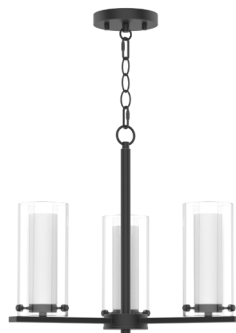
LEWIS-3
VANITY E12



LEWIS-4
VANITY E12



LEWIS-C
CHANDELIER E12 CHAIN + STEM



LEWIS-MP
MINI PENDANT E12 CABLE + STEM

