



DUNTON HOUSE

DECORATIVE LIGHTING

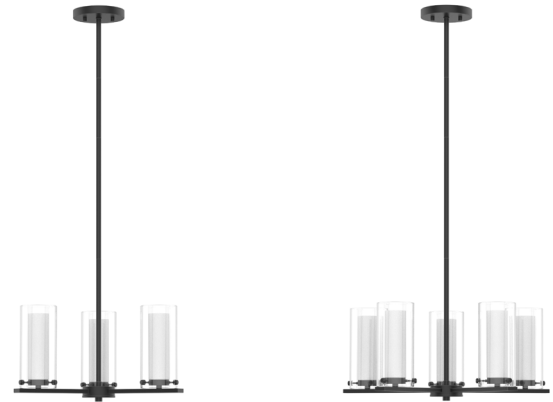
LEWIS-C CHANDELIER E12 CHAIN + STEM

PROJECT DATE

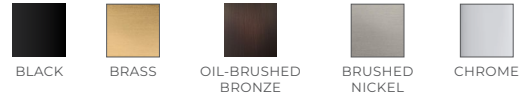
COMMENTS



WITH CHAIN MOUNTING



WITH STEM MOUNTING



PHYSICAL

Material	Metal
Lens Material	Outer Clear Glass, Inner Frosted Glass
Mounting	Suspended CH: 1 x 48" Chain Adjustable, ST: 2 x 12", 2 x 6" Stems
Finish	Black, Brushed Nickel, Black + Gold
Source	3/5 x E12, Type B Shape Recommended (4W 350lm 3000K Dimmable LED Lamp Included)
Dimensions	3 Lamp: D 18" x H 15.25" 5 Lamp: D 21" x H 15.25"

PERFORMANCE

Warranty	5 years
Certifications	cETLus
CCT	3000K
CRI	90
Lamp Lumens	350lm per lamp

ELECTRICAL

Wattage	60W Type B Maximum Per Socket
Voltage	120V
Dimmable	Yes, with dimmable lamp and dimmable switch. Dimmable switch not included.

NOTES

Usage Indoor Only

ORDERING LOGIC

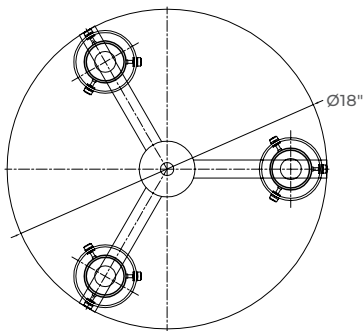
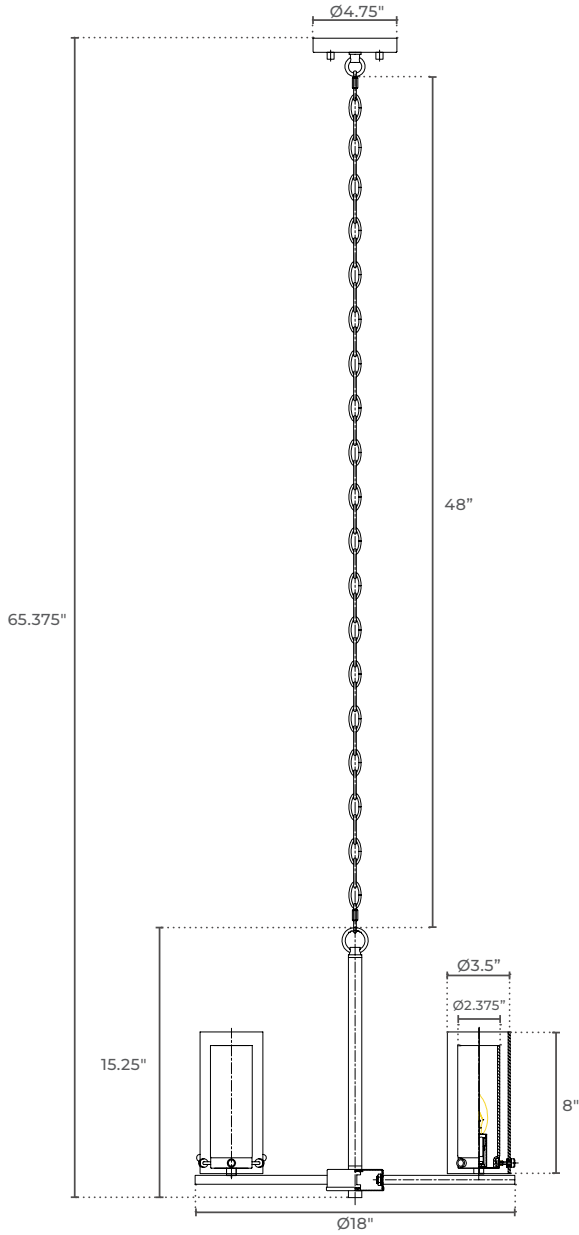
EX: LEWIS-C-CH-3-BK

FAMILY	TYPE	MOUNTING	SIZE	FINISH
LEWIS	C			
	C Chandelier	CH Chain	3 3 Lamp	BK Matte Black
		ST Stem	5 5 Lamp	BN Brushed Nickel
				BKGD Black + Gold

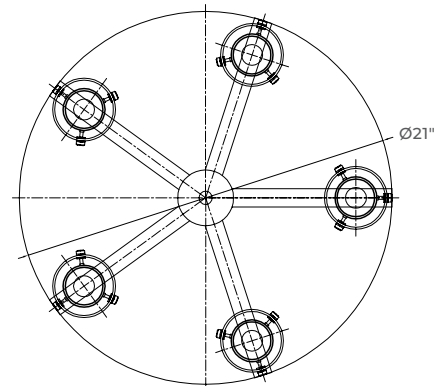
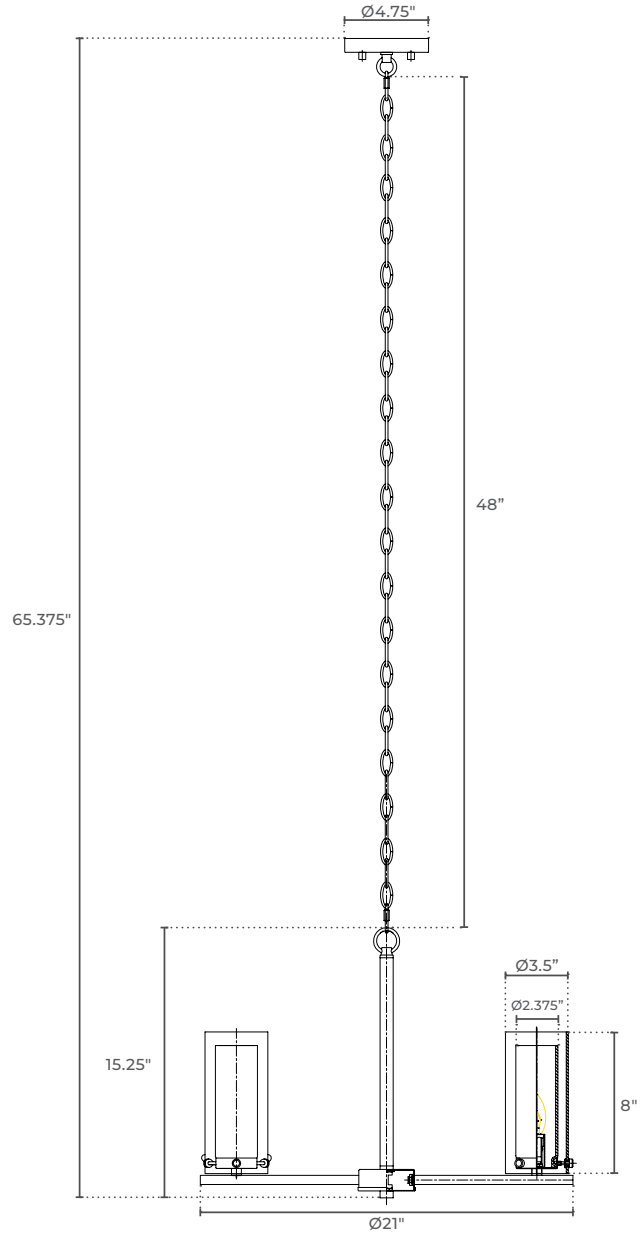


DIMENSIONS

LEWIS-C-CH-3

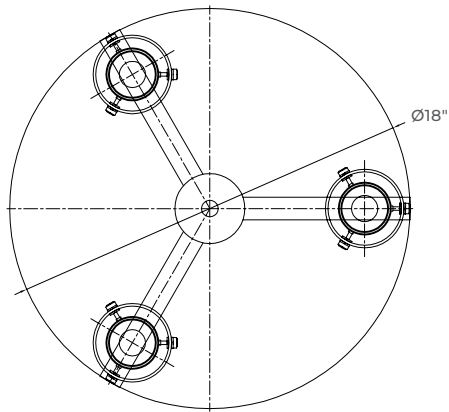
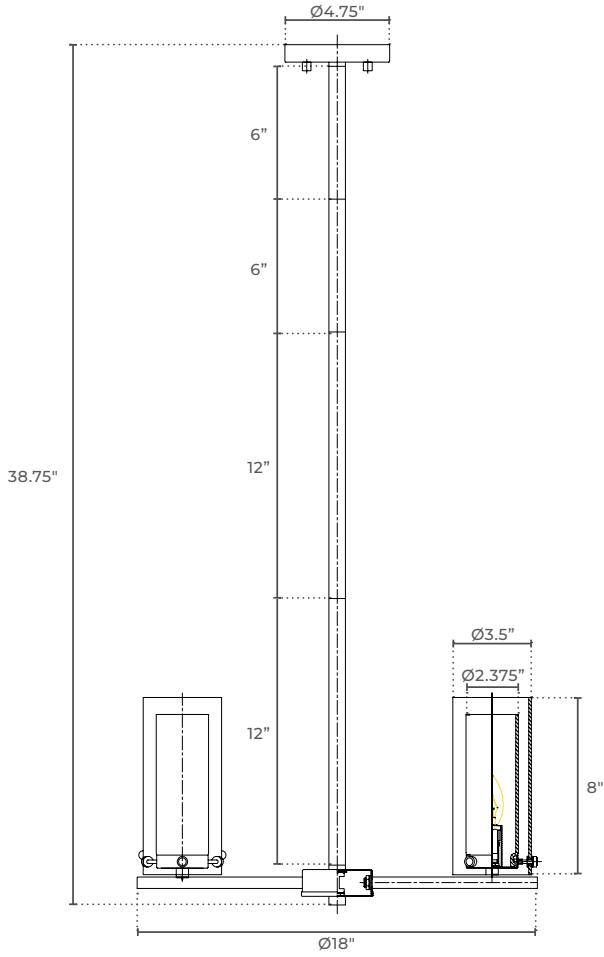


LEWIS-C-CH-5

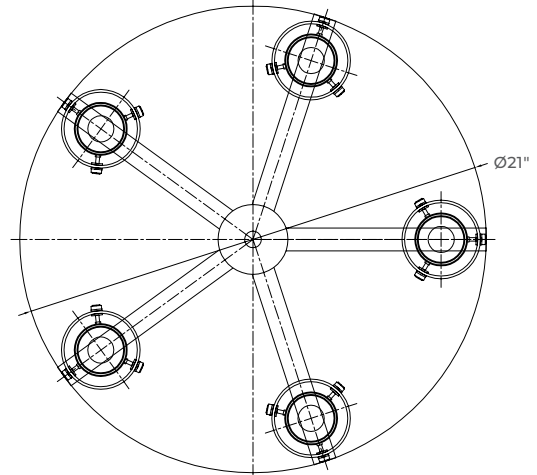
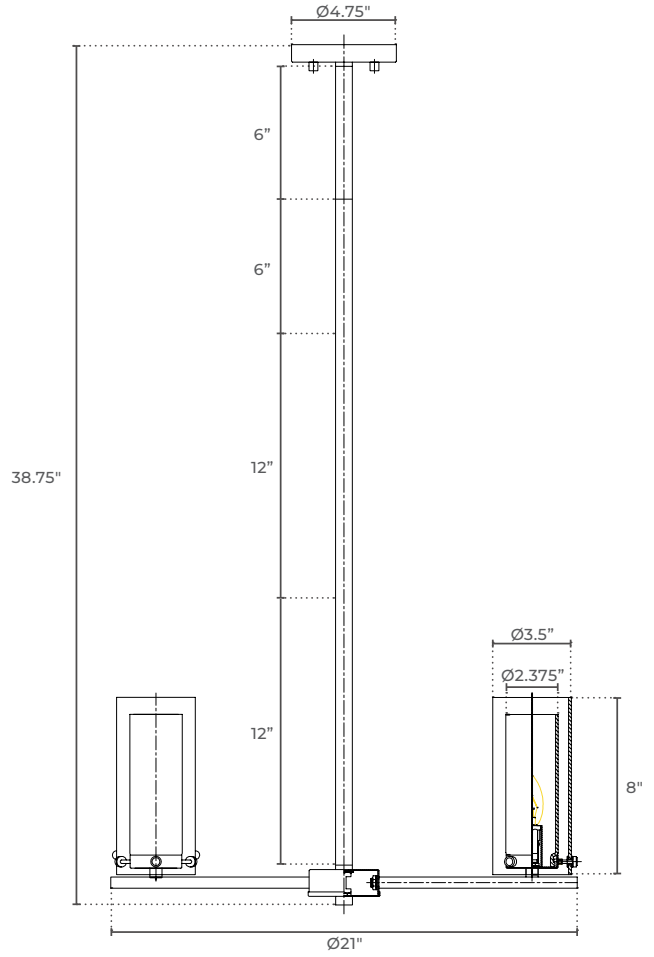


DIMENSIONS

LEWIS-C-ST-3



LEWIS-C-ST-5



LEWIS FAMILY

LEWIS-WL
EXTERIOR SCENCE E12



LEWIS-1
VANITY E12



LEWIS-2
VANITY E12



LEWIS-3
VANITY E12



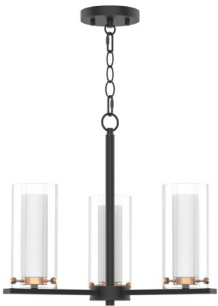
LEWIS-4
VANITY E12



LEWIS-MP
MINI PENDANT E12 CABLE + STEM



ADDITIONAL IMAGERY



LEWIS-C-CH-3-BKGD



LEWIS-C-CH-5-BKGD



LEWIS-C-ST-3-BKGD



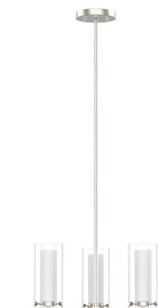
LEWIS-C-ST-5-BKGD



LEWIS-C-CH-3-BN



LEWIS-C-CH-5-BN



LEWIS-C-ST-3-BN



LEWIS-C-ST-5-BN

