

TABLE OF CONTENTS

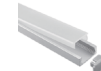
Click the Image of the Extrusion You Wish to View



LP-SM-005 page 2



LP-SM-009 page 2



LP-SM-016 page 3



LP-SM-086 page 3



LP-SM-118 page 4

LOW PROFILE TAPELIGHT EXTRUSIONS

The Low Profile LED Ribbon Extrusions offer an aluminum housing with a variety of lensing options.

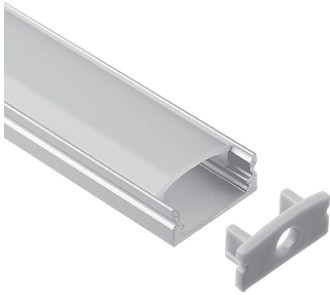
- 1.6' - 13.1'
- Aluminum Housing
- Polycarbonate Lens

PROJECT _____ DATE _____

COMMENTS _____

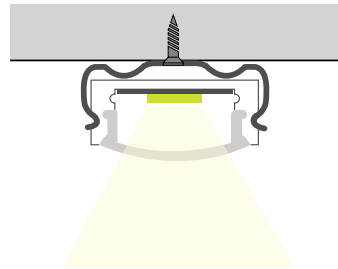
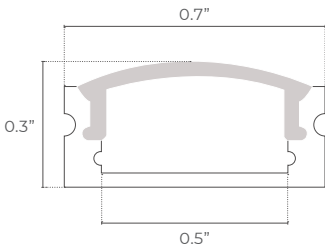
ORDERING LOGIC

EX: LP-SM-005-CL-BK



FAMILY	SIZE	TYPE	LENS	FINISH	OPTIONS
LP	SM	005			
	SM Small	005 005	CL Clear DF Diffused FR Frosted OP Opal	BK Black SL Silver WH White	ST 2m; Cut in Field <small>STANDARD</small> PC Pre-Cut <small>CONTACT FACTORY FOR PROJECT REQUIREMENTS</small> CC Custom Configurations <small>FOR ADDITIONAL OPTIONS CONTACT SALES@SAGELIGHTING</small>

DIMENSIONS



ACCESSORIES



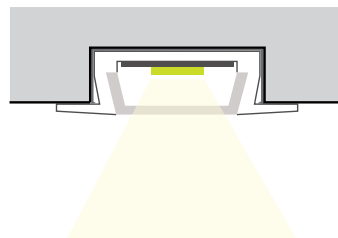
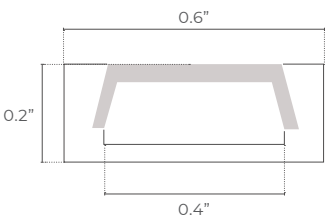
ORDERING LOGIC

EX: LP-SM-009-CL-BK



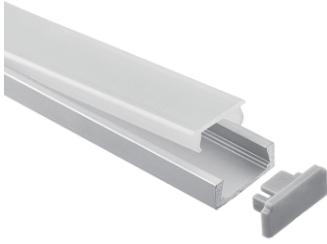
FAMILY	SIZE	TYPE	LENS	FINISH	OPTIONS
LP	SM	009			
	SM Small	009 009	CL Clear DF Diffused FR Frosted OP Opal	BK Black SL Silver WH White	ST 2m; Cut in Field <small>STANDARD</small> PC Pre-Cut <small>CONTACT FACTORY FOR PROJECT REQUIREMENTS</small> CC Custom Configurations <small>FOR ADDITIONAL OPTIONS CONTACT SALES@SAGELIGHTING</small>

DIMENSIONS



ACCESSORIES



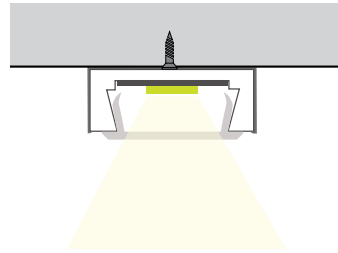
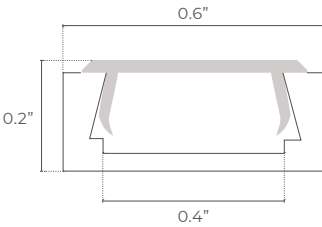


ORDERING LOGIC

EX: LP-SM-016-CL-BK

FAMILY	SIZE	TYPE	LENS	FINISH	OPTIONS
LP	SM	016			
	SM Small	016 016	CL Clear DF Diffused FR Frosted OP Opal	BK Black SL Silver WH White	ST 2m; Cut in Field <small>STANDARD</small> PC Pre-Cut <small>CONTACT FACTORY FOR PROJECT REQUIREMENTS</small> CC Custom Configurations <small>FOR ADDITIONAL OPTIONS CONTACT SALES@SAGELIGHTING</small>

DIMENSIONS



ACCESSORIES



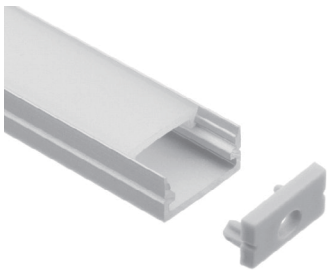
End-Cap (2x)



Clip (2x)



Screw (2x)

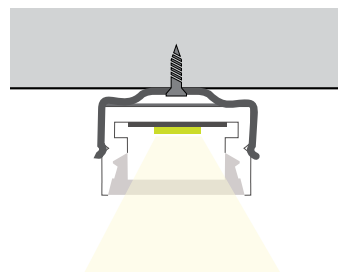
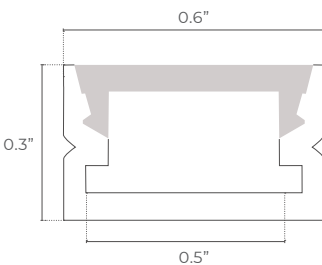


ORDERING LOGIC

EX: LP-SM-086-CL-BK

FAMILY	SIZE	TYPE	LENS	FINISH	OPTIONS
LP	SM	086			
	SM Small	086 086	CL Clear DF Diffused FR Frosted OP Opal	BK Black SL Silver WH White	ST 2m; Cut in Field <small>STANDARD</small> PC Pre-Cut <small>CONTACT FACTORY FOR PROJECT REQUIREMENTS</small> CC Custom Configurations <small>FOR ADDITIONAL OPTIONS CONTACT SALES@SAGELIGHTING</small>

DIMENSIONS



ACCESSORIES



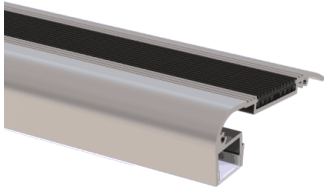
End-Cap (2x)



Clip (2x)



Screw (2x)

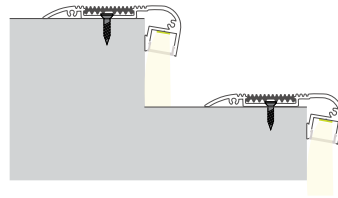
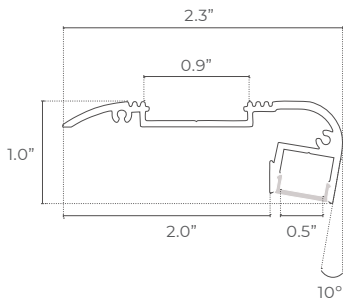


ORDERING LOGIC

EX: LP-SM-118-CL-BK

FAMILY	SIZE	TYPE	LENS	FINISH	OPTIONS
LP	SM	118			
	SM Small	118 118	CL Clear DF Diffused FR Frosted OP Opal	BK Black SL Silver WH White	ST 2m; Cut in Field <small>STANDARD</small> PC Pre-Cut <small>CONTACT FACTORY FOR PROJECT REQUIREMENTS</small> CC Custom Configurations <small>FOR ADDITIONAL OPTIONS CONTACT SALES@SAGELIGHTING</small>

DIMENSIONS



ACCESSORIES



End-Cap (2x)



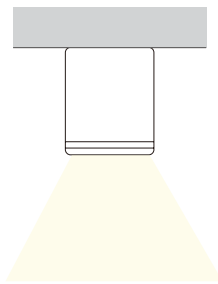
Clip (2x)



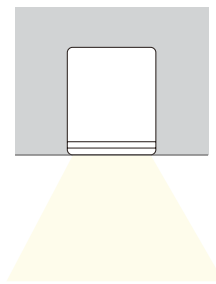
Screw (2x)

INSTALLATION MOUNTING

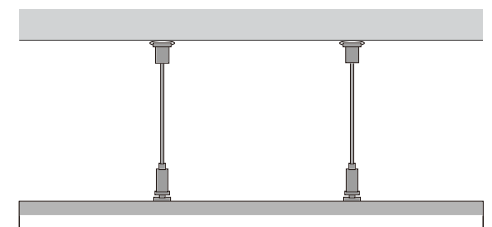
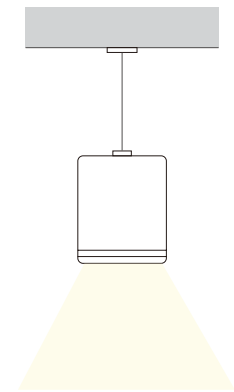
Surface Mount



Recessed Mount

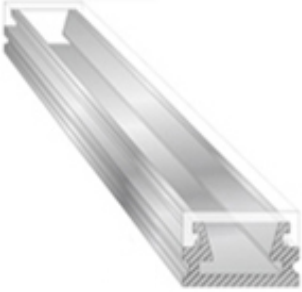


Suspended Mount

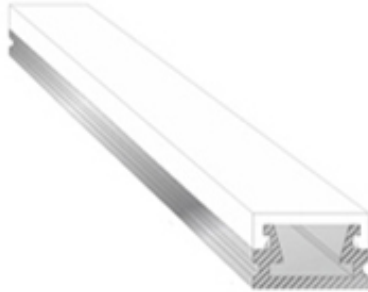


PRODUCT STYLING

Clear Lens

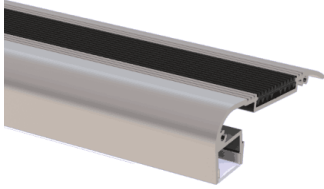


Diffused/Frosted Lens



Aluminum Finish



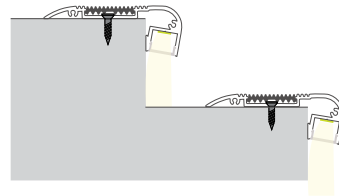
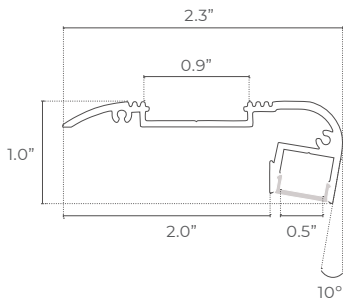


ORDERING LOGIC

EX: LP-SM-118-CL-BK

FAMILY	SIZE	TYPE	LENS	FINISH	OPTIONS
LP	SM	118			
	SM Small	118 118	CL Clear DF Diffused FR Frosted OP Opal	BK Black SL Silver WH White	ST 2m; Cut in Field <small>STANDARD</small> PC Pre-Cut <small>CONTACT FACTORY FOR PROJECT REQUIREMENTS</small> CC Custom Configurations <small>FOR ADDITIONAL OPTIONS CONTACT SALES@SAGELIGHTING</small>

DIMENSIONS

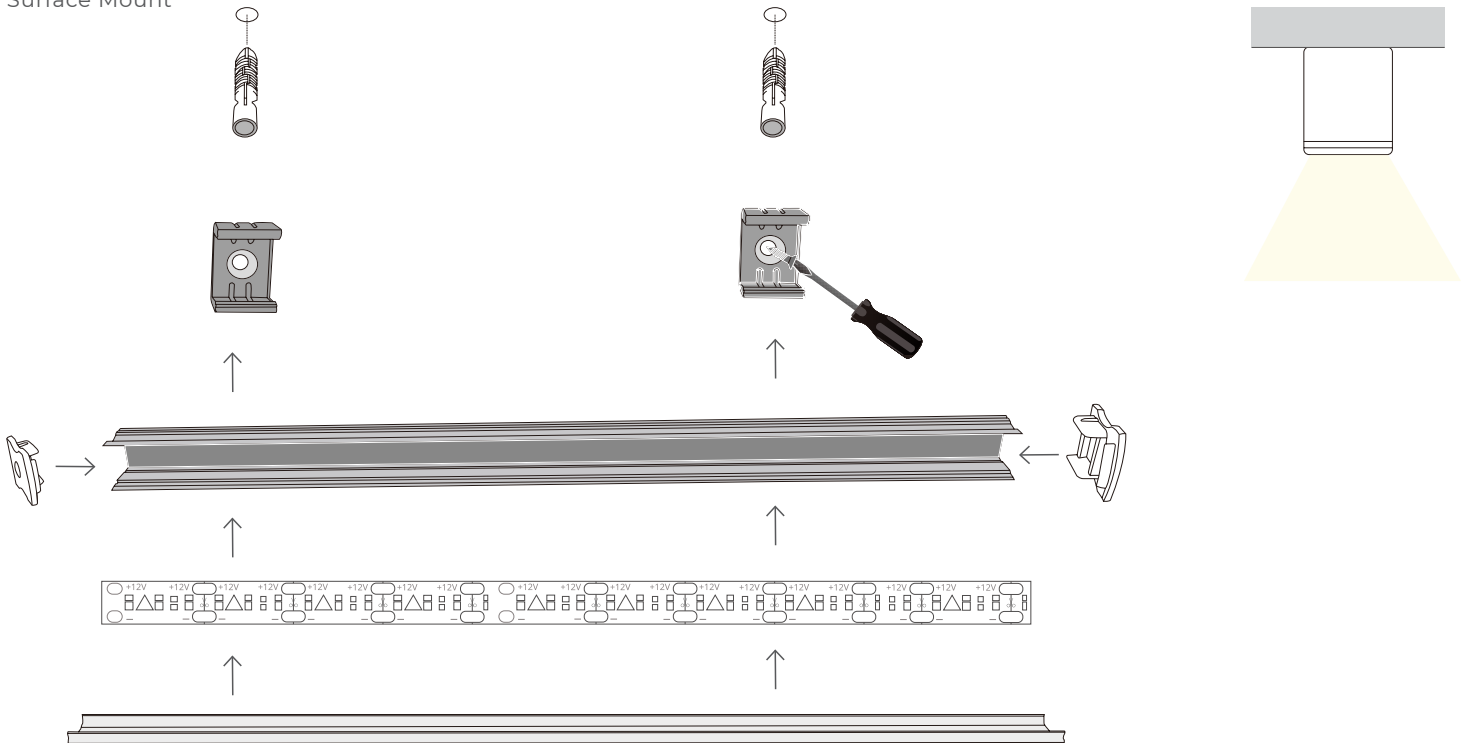


ACCESSORIES



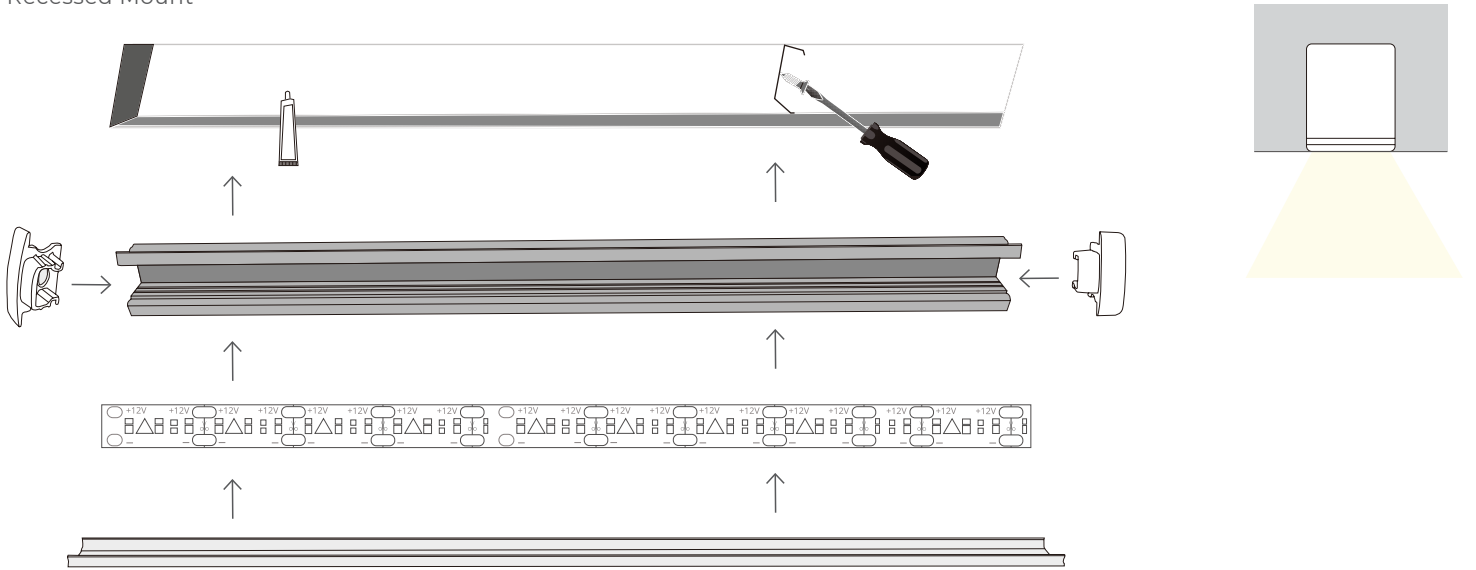
INSTALLATION

Surface Mount



INSTALLATION (CONTINUED)

Recessed Mount



Suspended Mount

