

PROJECT  DATE

COMMENTS



**IN STOCK**



**ENERGY CHART**

LENGTH feet	WIDTH inches	DELIVERED LUMENS	WATTAGE	EFFICACY lm/w
4	4	1720	20	86
		2560	30	85
		3400	40	85
8	6	3800	40	95
		6800	80	95
		7600	80	95

**ORDERING LOGIC** EX: LPR-4-4

FAMILY	LENGTH	WIDTH
<b>LPR</b>		
	4 <sup>1</sup> 4'	4 4"
	8 <sup>2</sup> 8'	6 6"

**ORDERING NOTES**

<sup>1</sup> 4" only available with field selectable wattage (20/30/40W) and 6" only available in 40W  
<sup>2</sup> Only available in 80W

**LPR LINEAR PANEL RECESSED LED**

The LPR linear edge-lit panel with top-mounted external dimmable driver delivers visual comfort and perfectly uniform illumination across the lens surface at a panel depth of less than .6". LPR is offered in two aperture widths, 4" and 6", in 4' and 8' lengths respectively.

**PHYSICAL**

Material	Aluminum
Mounting	Recessed
Lens	PMMA
Finish	White

**PERFORMANCE**

Warranty	5 years
Certifications	Damp Location, UL, cUL
Rated Life	L70 >50,000 hours
THD	<20%
CCT	Field Selectable: 3000K, 3500K, 4000K
CRI	80+
Beam Angle	110°

**ELECTRICAL**

Wattage	Field Selectable: 20/30/40W Static: 40W, 80W
Voltage	120-277V
Power Factor	>0.9
Dimmable	1-10V

**ACCESSORIES (ORDER SEPARATELY)** EX: LPR-EM

FAMILY	ACCESSORIES (ORDER SEPARATELY)
<b>LPR</b>	

**EM** Emergency Backup: 120 minutes  
TO BE FIELD INSTALLED

**SPECIFICATIONS**

**CONSTRUCTION**

Extruded aluminum housing

**ELECTRICAL**

LED Driver: External

Dimming: Powered by high efficiency LED driver, with a standard 1-10V driver which continuous dims to 10% that works with many types of controls. Tested Dimmers: Lutron @ Diva-Dvtv, Leviton @ IP-710-DL.

THD: <20%

Power Factor: >0.9

Input Voltage: Standard electronic driver is UL recognized and available for 120-277V AC.

**LED SYSTEM**

CRI: Minimum 80 color rendering index

CCT: CCT adjustable from 3000K, 3500K and 4000K with a great color consistency.

LED: Life Minimum 50,000h with 87.8% of lumen maintenance in 25°C ambient temperature, in compliance with IES LM-80 testing measurements.

Thermal Management: Aluminum housing acting as the heat sink to maximize life.

**MOUNTING**

Recessed

**APPROVALS**

- cULus listed for damp locations
- 5-year Limited Warranty

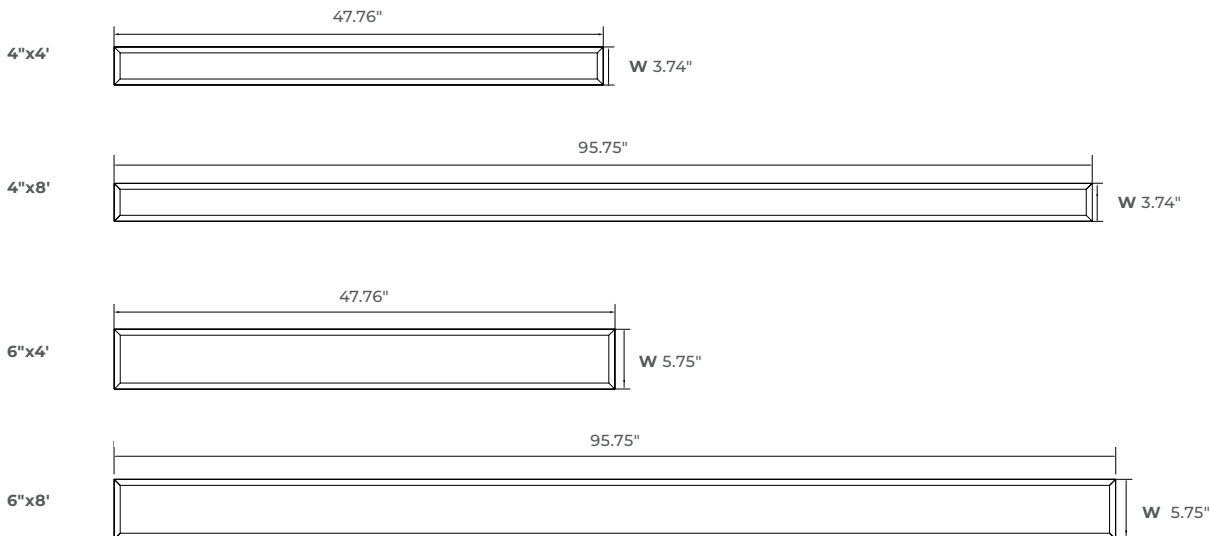
**OPTION FUNCTION**



Optional high voltage 8W emergency LED driver EM-L series can be provided. When AC power fails it immediately switches, to the emergency mode, operating for lighting up to 120 minutes. When AC power is restored, it automatically returns to the charging mode which meets critical life-safety lighting requirements.

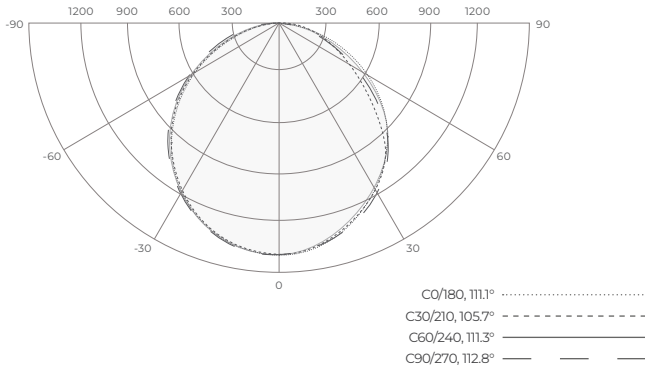
For more info or spec sheet, please contact sales.

**DIMENSIONS**



PHOTOMETRICS - 4"X4'-40W-3500K

AVERAGE BEAM ANGLE (50%): 110.2°



LUMINANCE cd/(m2)

G(DEG)	C0/180	C90/270
85	4286	12145
80	9823	11991
75	11791	13583
70	13759	14470
65	14849	15240
60	15624	15865
55	16153	16254
50	16510	16666
45	16803	16877

ZONAL FLUX DIAGRAM

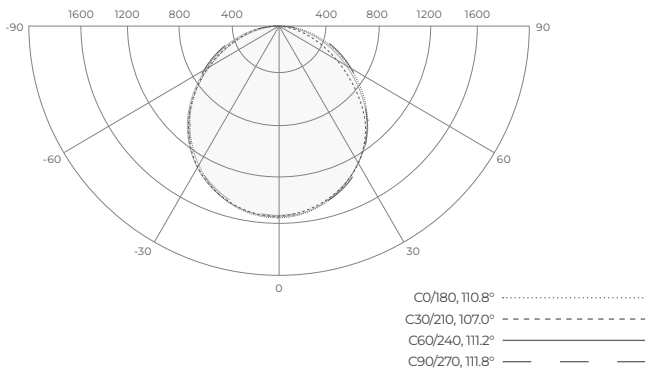
T	C0	C45	C90	C135	C180
5	1378	1372	1373	1374	1381
10	1357	1352	1359	1356	1362
15	1324	1322	1322	1328	1331
20	1279	1274	1284	1279	1287
25	1224	1223	1225	1226	1232
30	1159	1158	1166	1158	1165
35	1085	1084	1088	1074	1089
40	1002	1004	1010	958.2	1003
45	912.5	885.3	916.5	780.5	909.0
50	815.0	735.3	822.7	609.3	807.8
55	711.5	600.0	716.0	490.2	698.2
60	599.9	498.1	609.2	394.6	581.3
65	481.9	403.6	494.7	307.4	457.1
70	361.4	305.2	380.1	221.3	331.1
75	234.4	211.9	270.0	140.1	168.8
80	131.0	122.2	159.9	75.20	59.38
85	28.69	51.55	81.29	29.13	10.88
90	1.227	4.243	2.669	2.701	1.005
DEG	LUMINOUS INTENSITY: cd				

ZONAL LUMENS

T	φ TOTAL
0-5	32.98
5-10	130.7
10-15	289.8
15-20	504.6
20-25	767.9
25-30	1070
30-35	1402
35-40	1751
40-45	2104
45-50	2443
50-55	2757
55-60	3038
60-65	3279
65-70	3472
70-75	3616
75-80	3710
80-85	3759
85-90	3773
	UNIT: lm

PHOTOMETRICS - 6"X4'-50W-3500K

AVERAGE BEAM ANGLE (50%): 110.2°



LUMINANCE cd/(m2)

G(DEG)	C0/180	C90/270
85	3368	8185
80	6864	8054
75	8024	8650
70	8745	9002
65	9187	9358
60	9536	9662
55	9803	9878
50	10011	10113
45	10188	10249

ZONAL FLUX DIAGRAM

T	C0	C45	C90	C135	C180
5	1513	1507	1508	1510	1518
10	1489	1485	1494	1491	1498
15	1452	1452	1452	1461	1464
20	1402	1399	1411	1408	1415
25	1340	1341	1345	1349	1354
30	1268	1269	1278	1271	1280
35	1185	1186	1192	1177	1195
40	1094	1098	1105	1067	1100
45	995.5	978.4	1002	914.6	995.9
50	889.3	838.9	898.4	746.0	884.3
55	777.1	689.3	783.0	605.3	764.9
60	659.0	562.4	667.6	484.8	639.7
65	536.6	454.9	546.6	376.9	511.3
70	413.3	349.1	425.5	276.8	382.3
75	287.0	244.2	309.4	186.1	238.8
80	164.7	144.4	193.3	107.6	79.40
85	40.56	63.05	98.59	46.12	17.81
90	3.175	4.753	3.887	2.886	0.5494
DEG	LUMINOUS INTENSITY: cd				

ZONAL LUMENS

T	φ TOTAL
0-5	36.22
5-10	143.5
10-15	318.2
15-20	553.9
20-25	842.6
25-30	1174
30-35	1537
35-40	1917
40-45	2303
45-50	2677
50-55	3025
55-60	3337
60-65	3605
65-70	3824
70-75	3990
75-80	4102
80-85	4162
85-90	4180
	UNIT: lm