

PROJECT DATE

COMMENTS



IN STOCK



ENERGY CHART

SIZE	WIDTH inches	HEIGHT inches	DELIVERED LUMENS (5000K)	WATTAGE	EFFICACY lm/w
4	48	3.23	3120	24	130
			4160	32	130
			5200	40	130
8	96	3.67	5200	40	130
			6500	50	130
			8320	64	130

ORDERING LOGIC

EX: LSR-QS-4-40-FS

FAMILY	SIZE	WATTAGE	CCT
LSR-QS			FS
	4 4'	40 40W	FS Field Selectable 3500K / 4000K / 5000K
		FS4 Field Selectable 24W / 32W / 40W	
	8 8'	FS8 Field Selectable 40W / 50W / 64W	

LSR-QS LENSED STRIP ROUND LED QUICK SHIP

The LSR-QS series offers a DLC Premium high efficiency light output with field selectable CCT and field selectable Wattage. LSR-QS is easy to install with provided mounting accessories for surface or suspended applications and it can be supplied with an 8W emergency battery backup. LSR-QS is IP40 rated, rust and corrosion proof with a high gloss backed white matte powder coat finish, an an extruded opal prismatic lens with UV protection.

- Storage Facilities
- Hallways & Stairwells
- Low-Bay Warehouse

PHYSICAL

Material	Die Formed 0.6mm Cold-Rolled Steel
Mounting	Surface and Suspended
Lens	UV Protection Opal Prismatic Polycarbonate Lens
Finish	White Powder Coat
Source	Lumileds LEDS

PERFORMANCE

Warranty	5 years
Certifications	cULus, DLC Premium, FCC
IP Rating	IP40
Rated Life	50,000 hours
Operating Temperature	-4°F to 104°F (-20°C to 40°C)
CCT	Field Selectable: 3500K/4000K/5000K
CRI	80+
Beam Angle	120°

ELECTRICAL

Wattage	40W, Field Selectable: 4FT: 24W/32W/40W, 8FT: 40W/50W/64W
Voltage	100-277V
Dimmable	0-10V

ACCESSORIES ORDERING LOGIC (ORDER SEPARATELY)

EX: LSR-QS-AC

FAMILY	ACCESSORIES
LSR-QS	

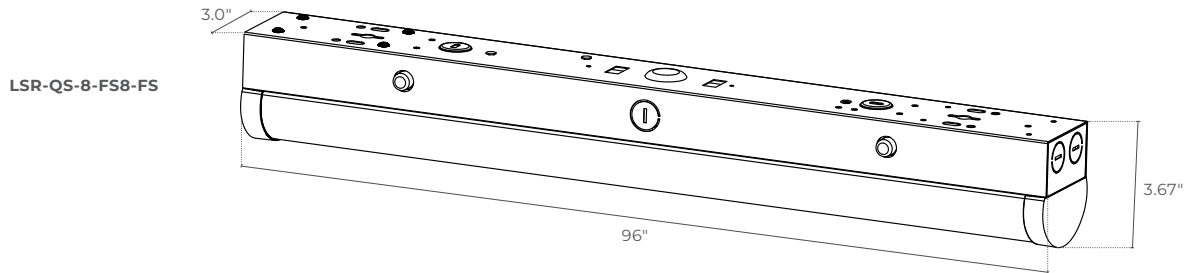
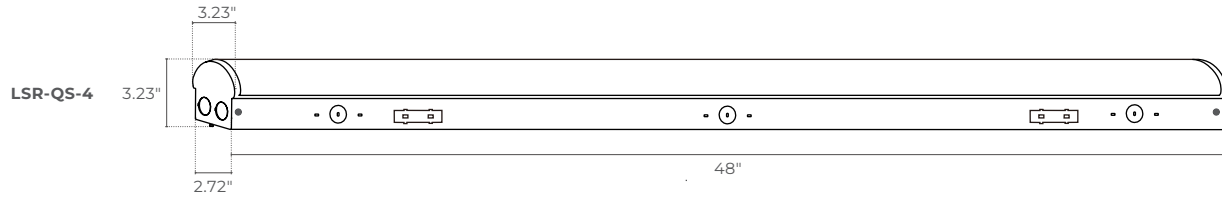
- AC*** 3' Aircraft Cable
- EM** 8W Emergency Battery
FIELD INSTALL STANDARD, FACTORY INSTALL UPON REQUEST

ORDERING NOTE

* Fixture comes standard with aircraft cables. The accessory option AC is for ordering additional aircraft cables if necessary for the project.

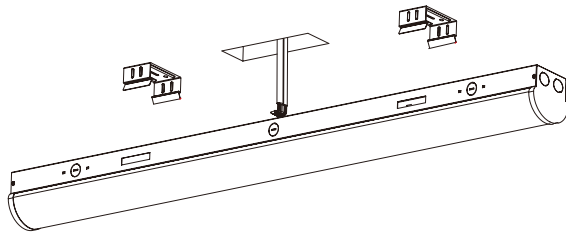


DIMENSIONS

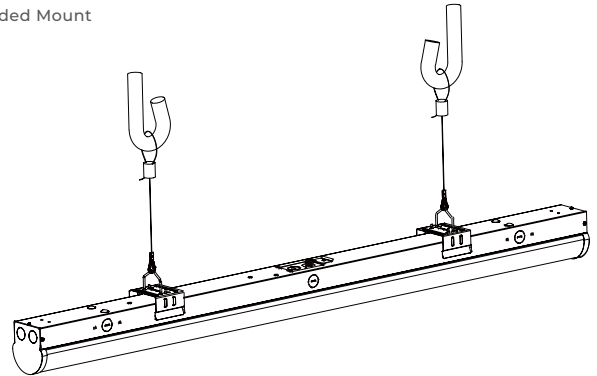


MOUNTING

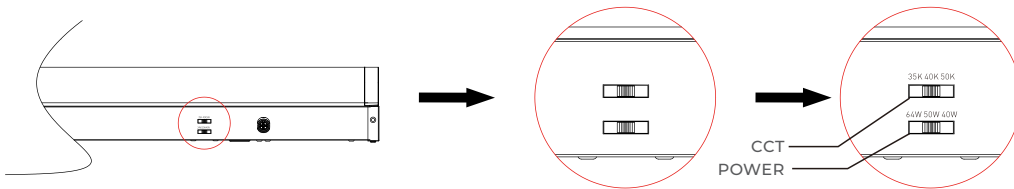
Surface Mount



Suspended Mount

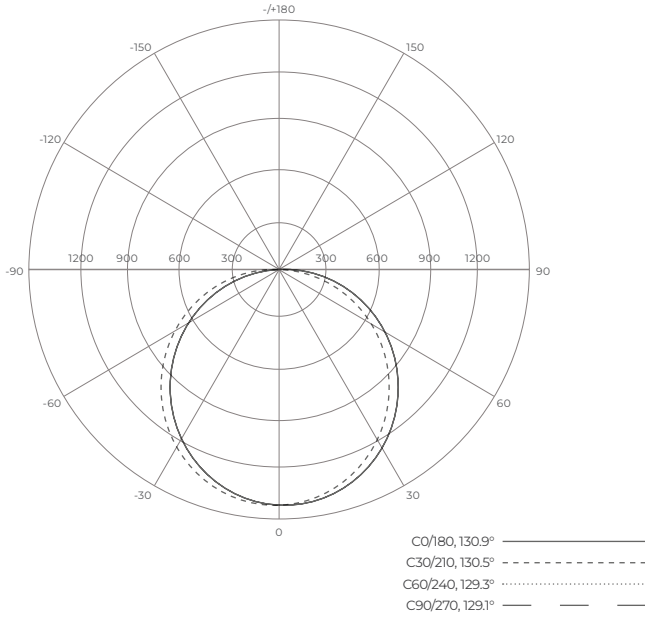


FIELD SELECTABLE CCT + WATTAGE FUNCTION

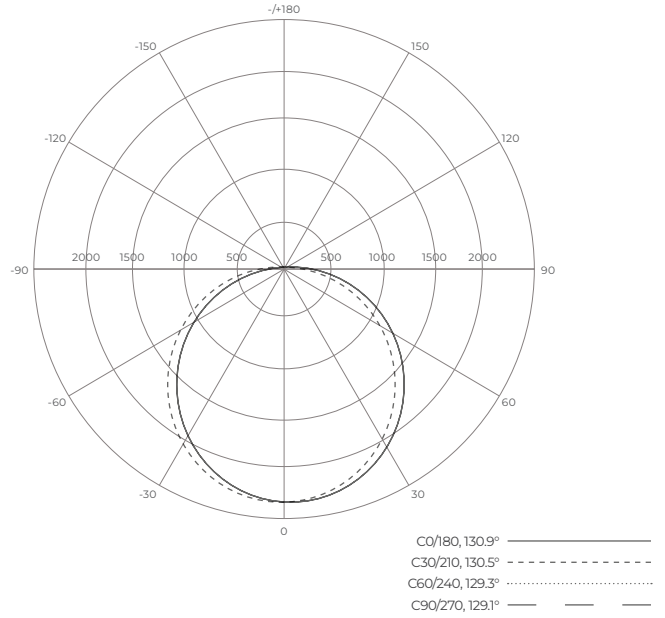


PHOTOMETRICS - LSR-QS-8-FS8-FS

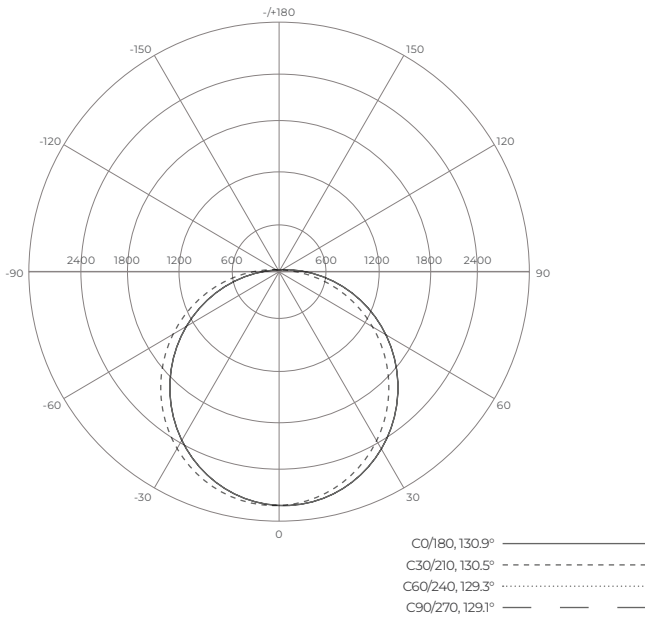
64W - 5000K - 8320LM
 AVERAGE BEAM ANGLE (50%): 120.0°



50W - 5000K - 6500LM
 AVERAGE BEAM ANGLE (50%): 120.0°

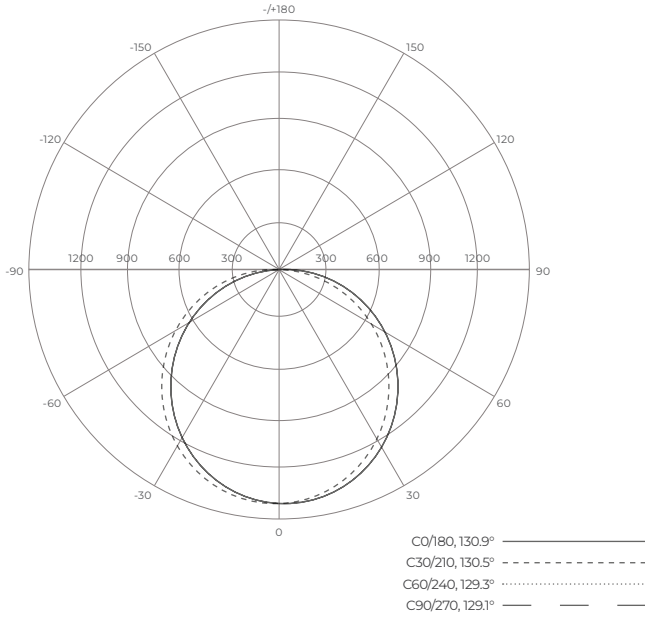


40W - 5000K - 5200LM
 AVERAGE BEAM ANGLE (50%): 120.0°



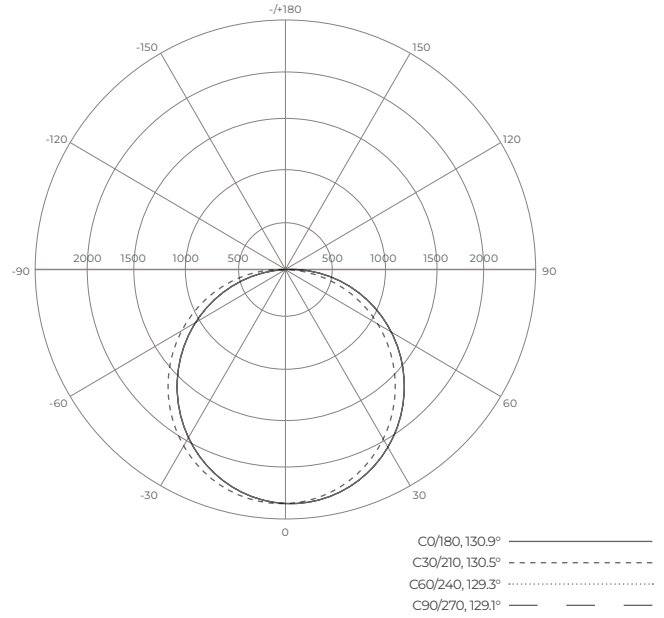
PHOTOMETRICS - LSR-QS-4-FS4-FS

24W - 5000K - 3120LM
AVERAGE BEAM ANGLE (50%): 130.0°



PHOTOMETRICS - LSR-QS-4-40-FS

40W - 5000K - 5200LM
AVERAGE BEAM ANGLE (50%): 130.0°



ADDITIONAL IMAGERY

LSR-QS-8-FS8-FS

