

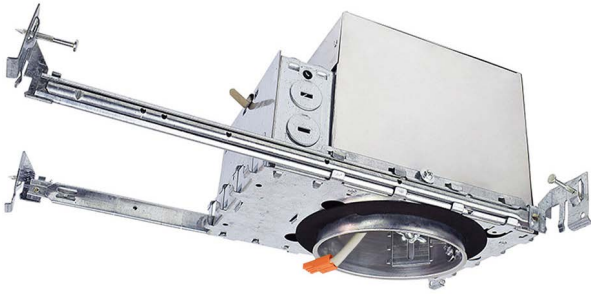
PROJECT \_\_\_\_\_ DATE \_\_\_\_\_

COMMENTS \_\_\_\_\_



**IN STOCK**

**IC RATED**



**NON-IC RATED**



**NCH4 NEW CONSTRUCTION HOUSING 4-INCH**

The NCH4 Series is an airtight new construction housing that offers an IC rating option.

- Hospitality
- Parking Garages
- Utility Rooms
- Corridors
- Closets

**PHYSICAL**

Material	Die-Formed Aluminum
Mounting	New Construction
Source	E26 LED Medium Base Socket and TP24 Connector
<b>Hanger Bar</b>	
Positioning	Locked at Any Point On 24" Joist Span Can be Shortened for 12" Joists Long or Short Axis of Housing
Alignment	T-Bar Spline
<b>Junction Box</b>	
Listings	UL and CETL for Branch Wiring
Knockouts	1/2" and 3/4" Pry-Out Slots
Wiring	Pre-Wired J-Box with Removable Access Plate
Leads	All Leads #18AWG with Supplied Quick Connectors Ground Wire Connected to the Bottom

**PERFORMANCE**

Warranty	5 years
Certifications	IC Rated , CETL, UL
Operating Temperature	-30°C to 95°C (-22°F to 203°F)

**ELECTRICAL**

Wattage	50W Maximum
Voltage	120V

**ORDERING LOGIC**

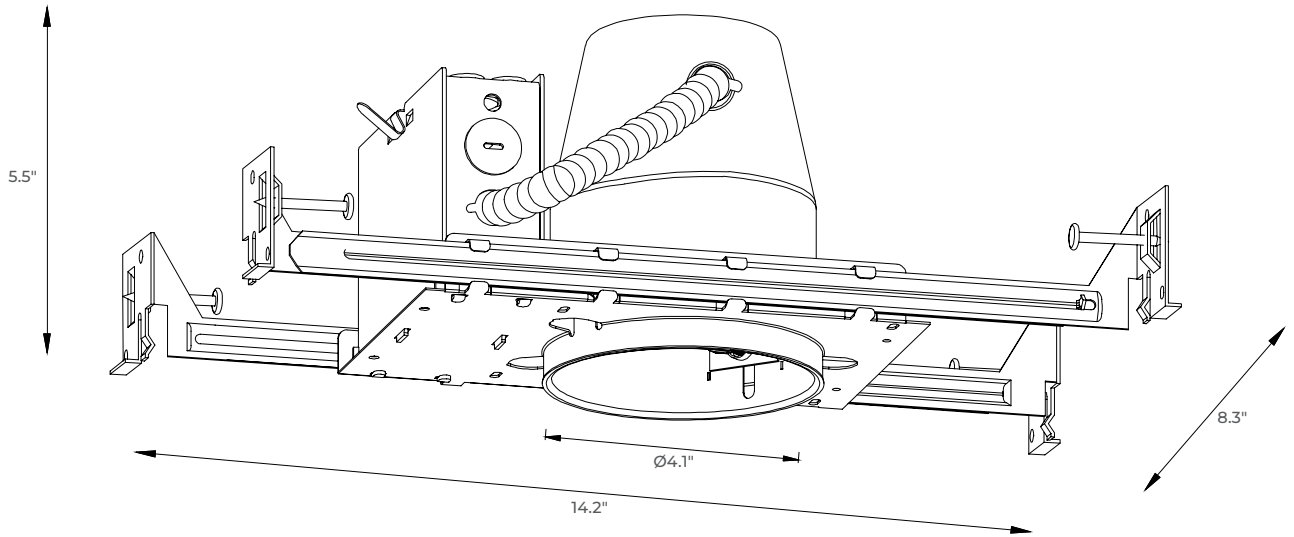
EX: NCH4

FAMILY	OPTIONS
NCH4	IC IC Rated



**DIMENSIONS**

**NCH4**



**NCH4-IC**

