

PROJECT

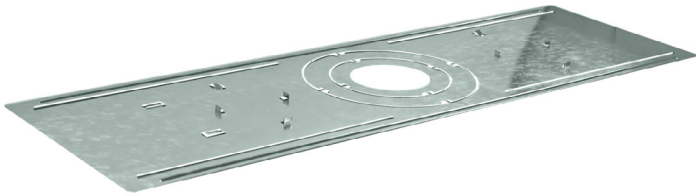
DATE

COMMENTS

NCP-346 NEW CONSTRUCTION PLATE FOR 3/4/6" DOWNLIGHT

NCP-346 is a new construction mounting plate made of durable sheet metal and is compatible with three different hole sizes. It features a power cord slot and four adjustable installation slots, each 9.6 inches long, allowing for flexible positioning. The plate is easy to install and is specifically designed for use with new construction joists.

- Multi Family
- Corridors
- Closets



PHYSICAL

Material	Die-Formed Aluminum
Mounting	Recessed (New Construction)
Dimension	25.98" x 8.27" x 0.22"
Hole Size	Ø3-5/64", Ø4-17/32", and Ø6-1/2 "
Package Size	26.78" x 6.5" x 9.05" (24 PCS)
Net Weight	1.5 lbs

COMPATIBLE DOWNLIGHTS

RPR RECESSED PANEL ROUND LED

RPR-RL RECESSED PANEL ROUND LED REGRESSED LENS

RPR-FR RECESSED PANEL ROUND LED FIRE RATED

ORDERING LOGIC

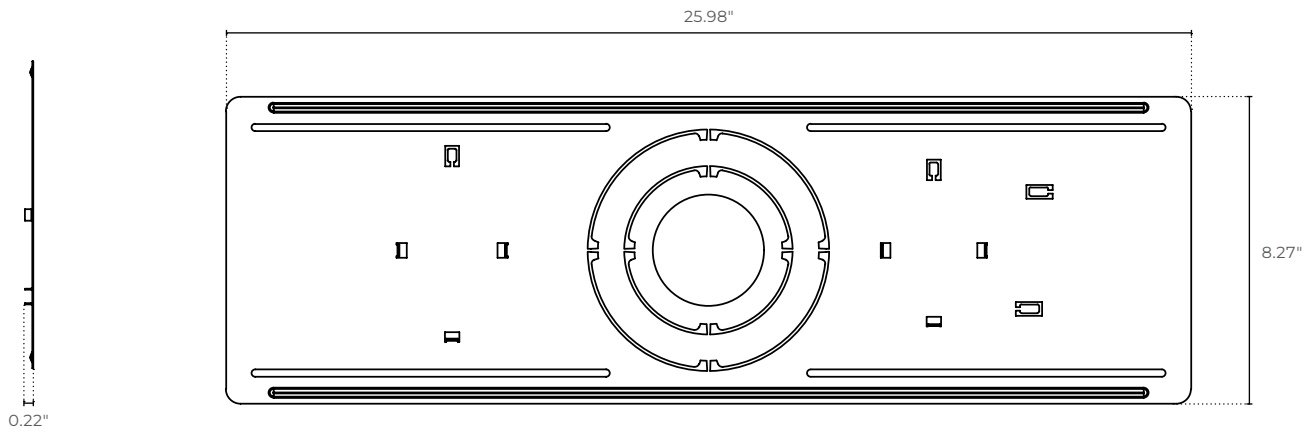
EX: NCP-346

FAMILY

NCP-346



DIMENSIONS



CONSTRUCTION PLATE DIAGRAM

